



Submittal Data Sheet

Indoor Unit Model#: ACiQ-18-AHD
Outdoor Unit Model#: ACiQ-18-HPD

Air Handler Heat Pump System

Location:	Approval:
Engineer:	Date:
Submitted to:	Construction:
Submitted by:	Unit #:
Reference:	Drawing #:



INDOOR UNIT SPECIFICATIONS

ESP (in.W.G)		0-0.8
Indoor Air Flow (Turbo/H/M/L/Si) (CFM)		618.0 / 576.8 / 529.7 / 488.5 / N/A
Indoor Noise Level (Turbo/H/M/L/Si) (dBA)		N/A / 41 / 39 / 33 / N/A
Dimension (WxDxH)	inch	17.52 x 21.02 x 45.00
	mm	445.0 x 534.0 x 1143.0
Package (WxDxH)	inch	20.87 x 26.57 x 48.62
	mm	530 x 675 x 1235
Net/Gross Weight	lbs	105.82 / 126.76
	kg	48 / 57.5

OUTDOOR UNIT SPECIFICATIONS

Compressor Type		ROTARY
Compressor Model		KTM240D46UKT2
Refrigerant		R454B
Refrigerant Oil Charge (mL)		620
Refrigerant Oil		VG74
Outdoor Air Flow (Max) (CFM)		1765.7
Outdoor Noise Level (dBA)		59
Dimension (WxDxH)	inch	35.04 x 13.46 x 26.50
	mm	890.0 x 342.0 x 673.0
Package (WxDxH)	inch	39.17 x 15.67 x 29.13
	mm	995 x 398 x 740
Net/Gross Weight	lbs	101.41 / 109.13
	kg	46 / 49.5

EFFICIENCY RATINGS

Cooling		Heating	
SEER2	19.0	HSPF2-4	9.7
EER2	12.5	COP	3.20

COOLING PERFORMANCE

Cooling (Btu/hr)	
Rated Capacity	18000
Min/Max Capacity	5600~22000
Moisture Removal (L/h)	1.65
Standard Operating Range °F (°C)	-22~122 (-30~50)
Rated Cooling Conditions:	Indoor: 80°F DB/67°F WB Outdoor: 95°F DB/75°F WB

HEATING PERFORMANCE

Heating (Btu/hr)	
1. @ 47°F Rated	19000
1. @ 47°F Min/Max Capacity	6000~22000
2. @ 17°F Rated	15000
3. @ 5°F Rated: Capacity / COP	18000 / 2
3. @ 5°F Max: Capacity	18000
Standard Operating Range °F (°C)	-22~75 (-30~24)
1. Rated Heating Conditions:	Indoor: 70°F DB/60°F WB Outdoor: 47°F DB/43°F WB
2. Rated Heating Conditions:	Indoor: 70°F DB/60°F WB Outdoor: 17°F DB/15°F WB
3. Heating Conditions, Compressor Operating at Max. Frequency	Indoor: 70°F DB/60°F WB Outdoor: 5°F DB/5°F WB

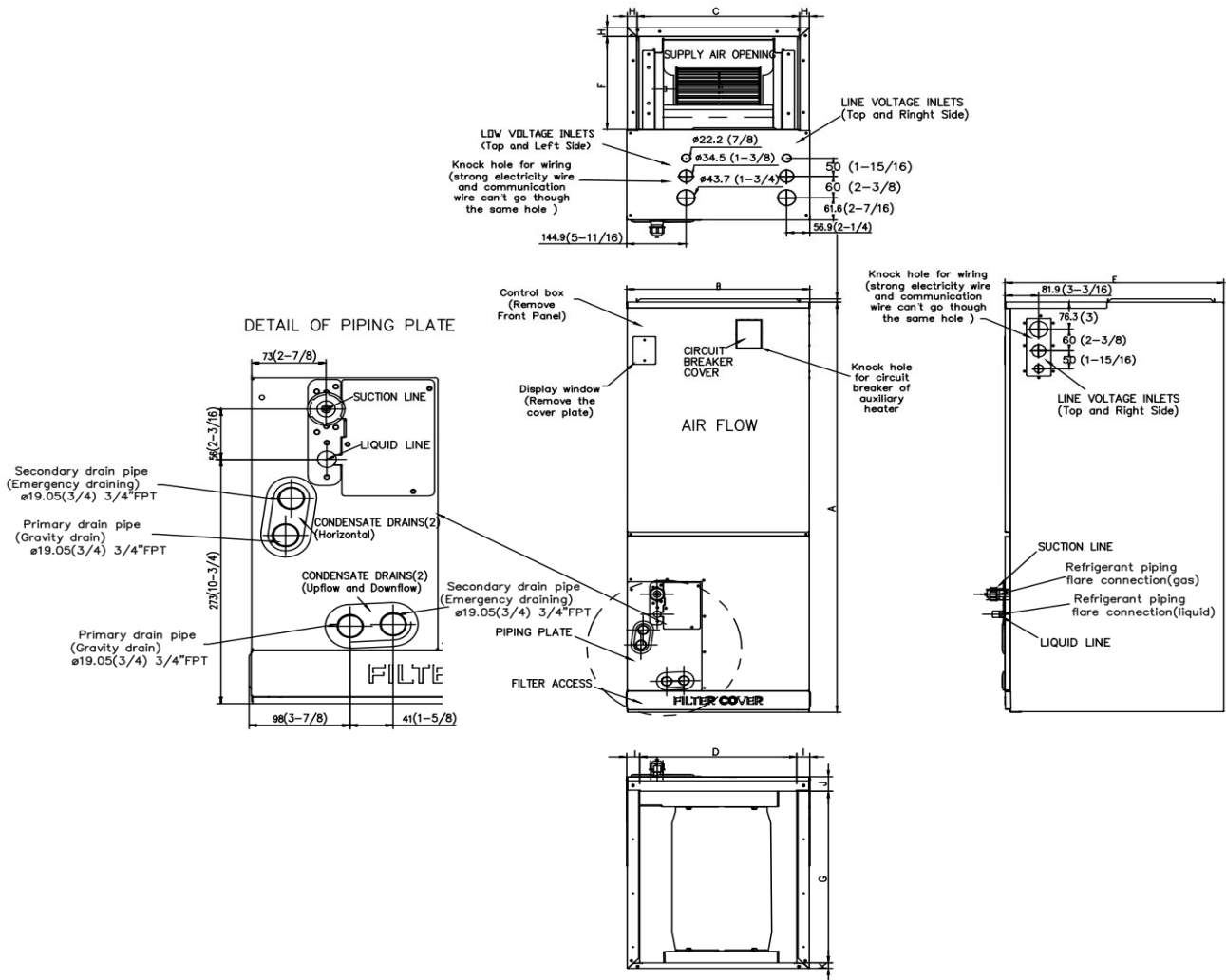
ELECTRICAL SPECIFICATIONS

Indoor Power Supply	115/208/230V, 60Hz, 1Ph
Indoor MCA 115V / (208/230V)	5.5 / 4.0
Indoor MOP	15
Outdoor Power Supply	208/230V, 60Hz, 1Ph
Outdoor MCA	17
Outdoor MOP	20
Communication Wiring	AWG 20-2
Compressor RLA	12
Outdoor Fan Motor RLA	0.9
Outdoor Fan Motor W	80
Indoor Fan Motor RLA	2
Indoor Fan Motor W	250
System Power Input @ Cooling (W)	1445 (440 ~ 1950)
System Power Input @ Heating (W)	1740 (500 ~ 1950)
MCA: Min. circuit amps (A)	MOCP: Max. over current protection (A)
RLA: Rated load amps (A)	W: Fan motor rated output (W)

REFRIGERANT PIPING SPECIFICATIONS

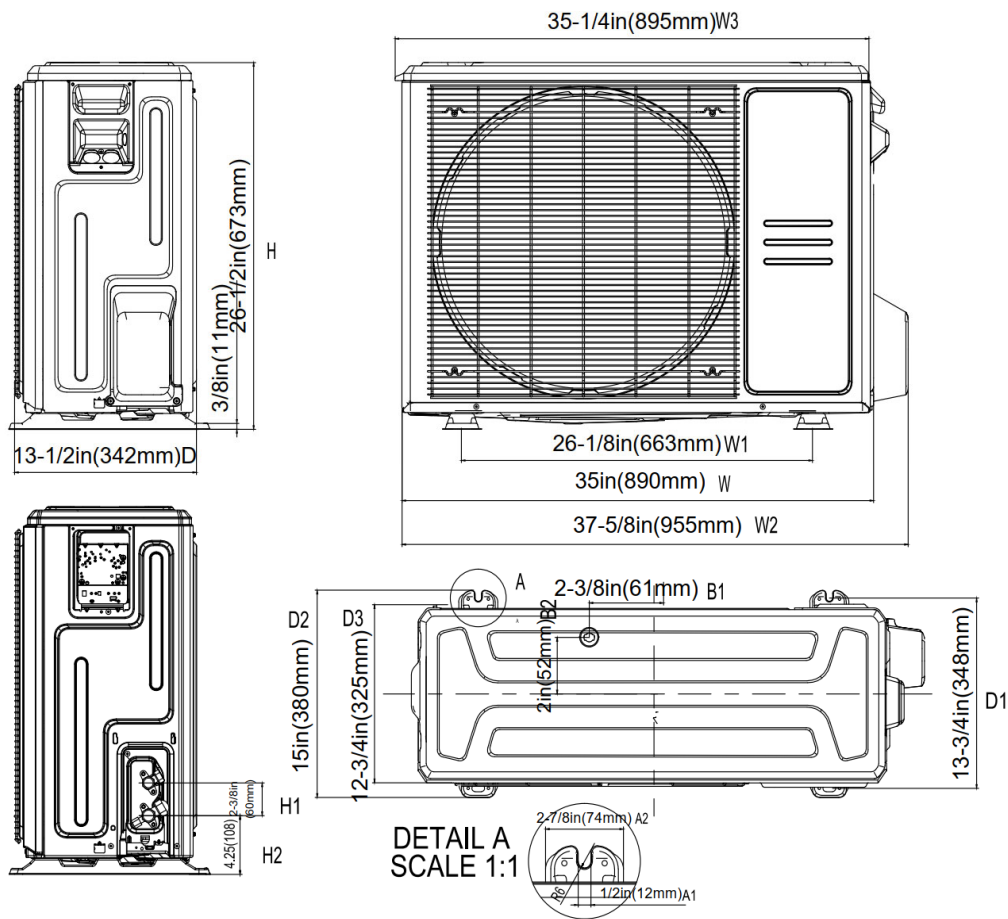
Throttle type (Indoor)	EXV
Throttle type (Outdoor)	EXV
Liquid Size	9.52mm (3/8in)
Gas Size	19mm (3/4in)
Max. Piping Length (ft/m)	98.4 / 30
Max. Height Difference (ft/m)	65.6 / 20
Max. Pre-charged Length (ft/m)	24.6 / 7.5
Refrigerant Pre-charged Amount (oz/kg)	74.08 / 2.1
Additional Refrigerant Charge (oz/ft) / (g/m)	0.7 / 65
Connection Method	Flared

Indoor Unit Dimensions

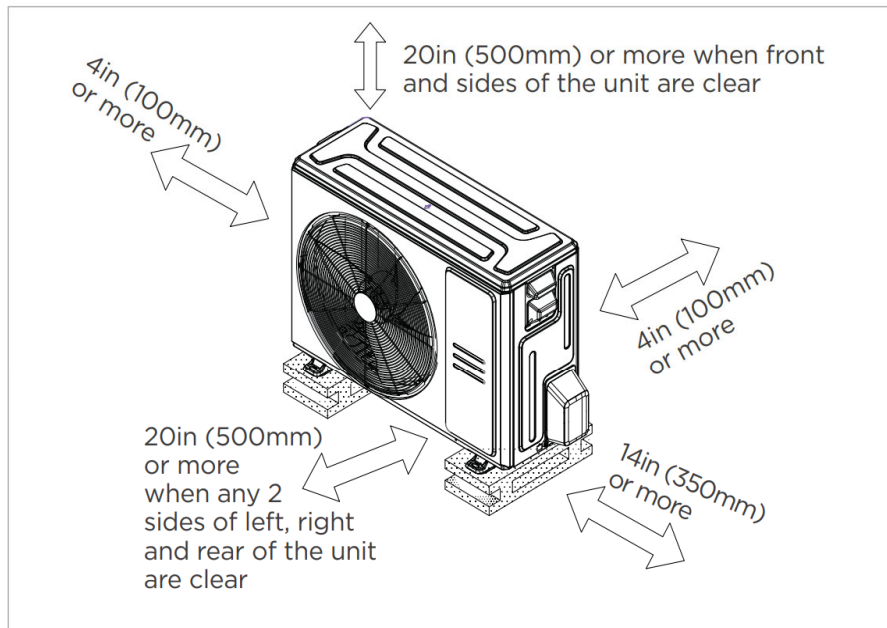


Dimensions	Model	18k/24k		30k/36k		42k/48k/60k	
		inch	mm	inch	mm	inch	mm
A	Model Height	45	1143	49	1245	53	1346
B	Model Width	17-1/2	445	21	534	24-1/2	622
C	Supply Air Opening Width	15-5/8	397	19-1/8	486	22-5/8	575
D	Return Air Opening Width	15-1/8	384	18-5/8	473	22-1/8	562
E	Model Depth	21	534	21	534	21	534
F	Supply Air Opening Depth	10-1/4	260	10-1/4	260	10-1/4	260
G	Return Air Opening Depth	18-3/4	476	18-3/4	476	18-3/4	476
H	Supply Air Opening Clearance	15/16	24	15/16	24	15/16	24
I	Return Air Opening Side Clearance	1-1/4	32	1-1/4	32	1-1/8	28
J	Return Air Opening Front Clearance	1-1/2	38	1-5/8	41	1-5/8	41
K	Return Air Opening Back Clearance	5/8	16	5/8	16	3/4	19

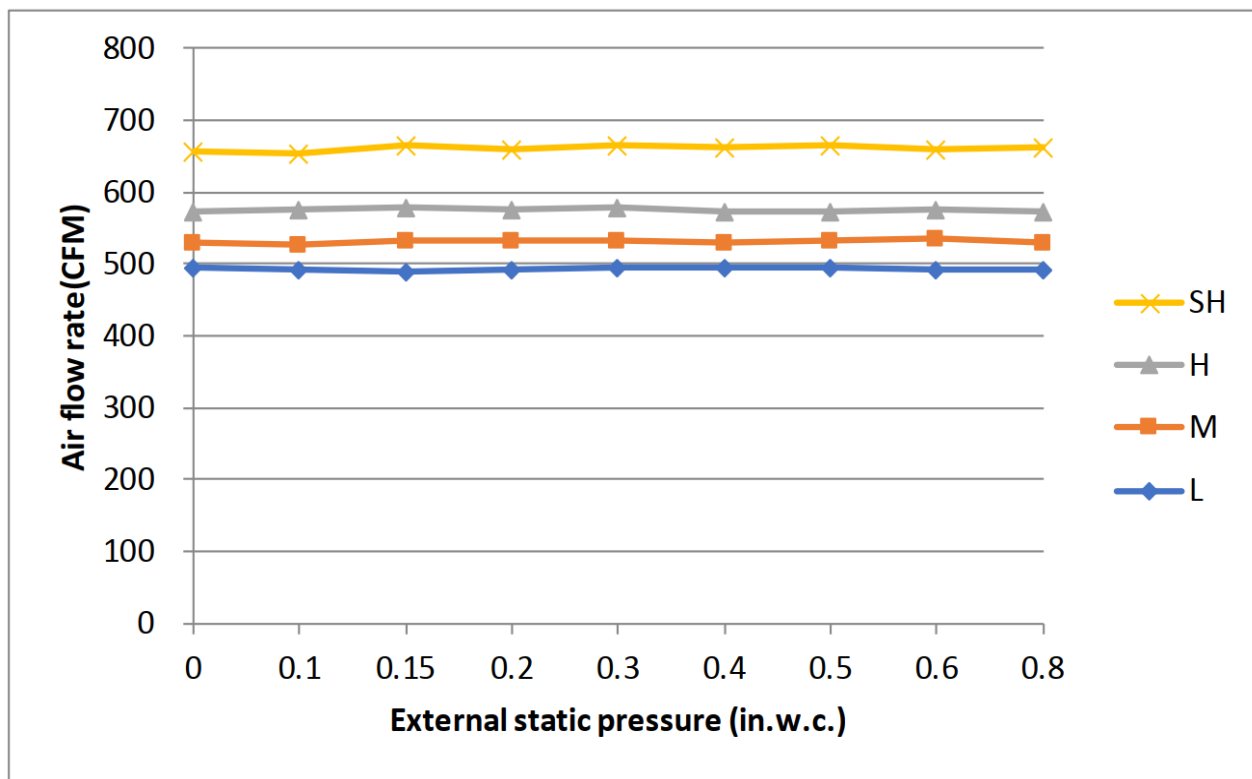
Outdoor Unit Dimensions



Installation Instruction For Outdoor Unit



Meets all spatial requirements shown in Installation Clearance Requirements above.



Features

- Multi-position installation: horizontal (left or right), vertical (up or down)
- Aluminum Coil
- Constantly Air Flow system up to 0.80 In.W.G
- 1 inch R4.2 fiberglass free insulation reduces condensation and boosts efficiency (optional)
- Optional Auxiliary heat kit up to 25kW
- Easy Maintenance
- Multiple control options available:
 - Two way communication wired controller:120N(X6)
 - Two way communication wired controller with built-in WiFi:120N(X6W)
 - Wireless remote controller
 - Third-Party 24V Thermostat
- Adaptive Control System
- High efficiency up to 19 SEER2, 12.5 EER2, 10.3 HSPF2
- 100% heat output at -4F*
- Chassis heater and crankcase heater equipped as standard

* For 36K model, rated cooling capacity/heating capacity at -4F=100%