

TECHNICAL SPECIFICATIONS

FSA4BF Series

Extra High Efficiency Air Conditioner Up to 16 SEER2 Residential System 2 - 5 Ton Capacity

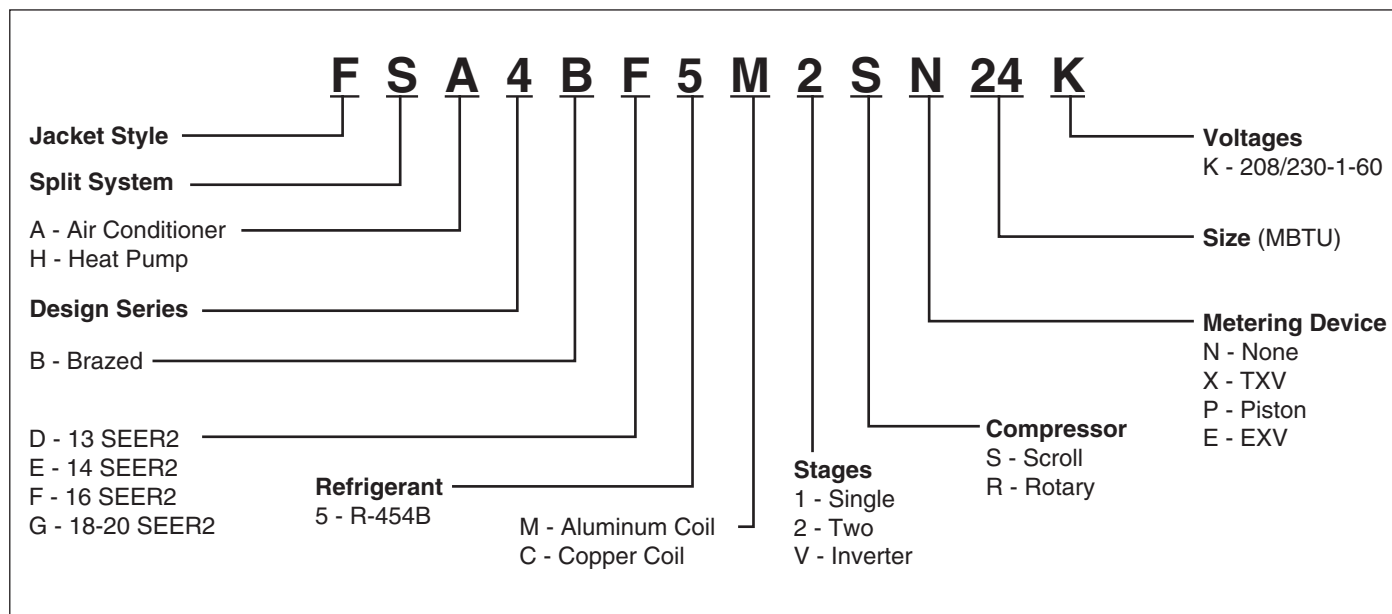
The FSA4BF Series air conditioners offers exceptional performance. The unit, when combined with our engineered coils or air handlers, offers a line of quality, 16 SEER2 split system cooling equipment.



FEATURES and BENEFITS

- **Copeland Scroll Two Stage Compressor:** The two stage compressor operates at 2 different capacity points to provide superior comfort and efficiency. Copeland's proven and simple design equates to years of comfort and reliability for the homeowner with whisper quiet operation.
- **Designed Using Galvanized Steel:** With powder-coated paint with a gloss finish that eliminates sharp edges and reduces scratching. It passes 950 hours of salt spray per ASTM Std. B117.
- **Composite Base Pan:** Absorbs sound and is corrosion resistant. Composite pan provides superior grip strength to previous steel versions.
- **Compressor Sound Blanket:** Engineered to suppress compressor noise ensuring quiet, reliable operation.
- **Swept-Wing Fan Blade:** Aerodynamic design reduces air turbulence and maximizes air flow across condenser coil.
- **Removable Top Grille Assembly:** Allows easy service access without disconnecting fan motor leads.
- **Low Pressure Switch:** Loss of charge protection ensures long compressor life. Auto-reset feature prevents nuisance service visits.
- **High Pressure Switch:** Protects against abnormally high system pressures. Auto-reset feature prevents nuisance service visits.
- **Liquid Line Filter Drier:** Included with unit, field installed.
- **One Piece Top/Orifice:** Designed for maximum airflow and quiet operation.
- **Easy Compressor and Control Access:** Designed to make servicing easier for the contractor, access panels are provided to all controls and the compressor from the side of the unit.
- **Aluminum Coils:** All aluminum coils in all models which provides high corrosion resistance.
- **Service-Friendly Jacket:** 2-screw side panel removal makes coil cleaning quick and easy.

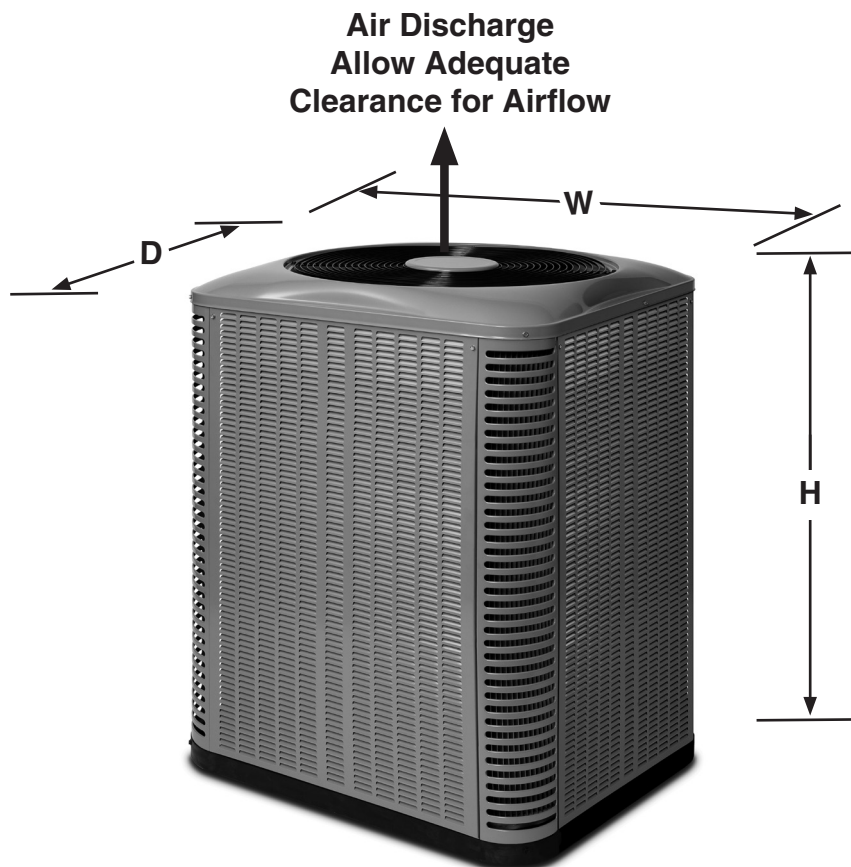
MODEL IDENTIFICATION CODES



DIMENSIONS

AIR CONDITIONER OUTDOOR SECTION

Model	W	D	H
FSA4BF5M2SN24K	23.75	23.75	32.5
FSA4BF5M2SN36K	31.75	31.75	45.5
FSA4BF5M2SN48K	31.75	31.75	45.5
FSA4BF5M2SN60K	31.75	31.75	45.5



PHYSICAL AND ELECTRICAL SPECIFICATIONS / OUTDOOR UNITS

16 SEER2 — Extra High Efficiency — Single Phase

Model Number FSA4BF5M		2SN24K	2SN36K	2SN48K	2SN60K
Electrical Data	Volts-Cycles-Phase (1)	208/230-60-1			
	Delay Fuse Max. (2)	20	30	40	50
	Min. Circuit Ampacity	13.5	19.7	24.4	34
	Comp. Locked Rotor Amp	62.0	90.0	138	147.3
	Fan Motor HP	1/10	1/4	1/3	1/3
Refrigerant suction line O.D. NOTE: Liquid line is 3/8" O.D. for entire length.	0-24 ft.	5/8" (3)	3/4"	7/8"	7/8"
	25-39 ft.	5/8" (3)	3/4"	7/8"	7/8"
	40-75 ft.	3/4"	7/8" (4)	7/8"	1-1/8" (5)
Approximate Weight (lbs.)	Ship	153	208	240	246
Sound Ratings dBA		72	74	74	74

(1) Operating Voltage Range: 187v min. - 253v max.

(2) HACR Type Circuit Breakers may be used.

(3) Requires 3/4" to 5/8" reducer from line to unit.

(4) Requires 7/8" to 3/4" reducer from line to unit.

(5) Requires 7/8" to 1-1/8" reducer from line to unit.

ACCESSORIES - Condensing Unit

Start Assist Kit - 912933

Provides additional starting torque for the compressor motor when operating with low line voltage or high operating temperatures.

High Wind Tie-Down Kits - <http://miamitech.com/products/metal/cutdnortek.html>

Low Ambient Kit - 918837

Cantilever Mounting Kit - 1018671

Four mounting corner post/panel split system design to cantilever mounts.

SA4BF-TSL-AHRI-Ratings

Outdoor Unit	Indoor Unit	A Test Capacity (BTU/hr)	SEER2	EER2	High Speed Rated SCFM	Low Speed Rated SCFM	DTC
SA4BF5M2SN24K	C75B(A,H)MX36(C,U)-B	23,400	14.3	11.7	750	565	Yes
SA4BF5M2SN36K	C75B(A,H)MX36(C,U)-B	35,000	15.2	12.0	1,125	845	Yes
SA4BF5M2SN36K	C75B(A,H)MX3642(C,U)-C	35,000	15.2	12.0	1,125	845	No
SA4BF5M2SN48K	C75B(A,H)MX4860(C,U)-C	47,000	15.2	12.0	1,400	1,050	Yes
SA4BF5M2SN48K	C75B(A,H)MX4860(C,U)-D	47,000	15.2	12.0	1,400	1,050	No
SA4BF5M2SN60K	C75B(A,H)MX4860(C,U)-C	56,000	13.8	11.2	1,545	1,160	Yes
SA4BF5M2SN60K	C75B(A,H)MX4860(C,U)-D	56,000	13.8	11.2	1,545	1,160	No

SA4BF5M2SN24K	C75B(A,H)MX24(C,U)-A + G7T(*)-V(*)A(*)	23,000	16.0	12.0	745	500	No
SA4BF5M2SN24K	C75B(A,H)MX24(C,U)-B + G7T(*)-V(*)B(*)	23,000	16.0	12.0	740	495	No
SA4BF5M2SN36K	C75B(A,H)MX36(C,U)-B + G7T(*)-V(*)B(*)	35,000	16.0	12.0	1,120	750	No
SA4BF5M2SN36K	C75B(A,H)MX3642(C,U)-C + G7T(*)-V(*)C(*)	35,000	16.0	12.0	1,155	775	No
SA4BF5M2SN48K	C75B(A,H)MX4860(C,U)-C + G7T(*)-V(*)C(*)	47,000	16.0	12.0	1,505	1,035	No
SA4BF5M2SN48K	C75B(A,H)MX4860(C,U)-D + G7T(*)-V(*)D(*)	47,000	16.0	12.0	1,500	1,005	No
SA4BF5M2SN60K	C74B(A,H)MX4860(C,U)-C + G7T(*)-V(*)C(*)	56,000	16.0	12.0	1,500	1,025	No
SA4BF5M2SN60K	C75B(A,H)MX4860(C,U)-D + G7T(*)-V(*)D(*)	56,000	16.0	12.0	1,595	1,065	No

SA4BF5M2SN24K	C75B(A,H)MX24(C,U)-A + G8SD-050U-T23A(*)	23,000	16.0	12.0	725	515	No
SA4BF5M2SN24K	C75B(A,H)MX24(C,U)-B + G8SD-070U-T24B(*)	22,700	15.2	12.0	665	440	No
SA4BF5M2SN36K	C75B(A,H)MX36(C,U)-B + G8SD-070U-T24B(*)	35,000	15.2	12.0	1,050	695	No
SA4BF5M2SN36K	C75B(A,H)MX3642(C,U)-C + G8SD-100U-T35C(*)	35,000	16.0	12.0	1,300	850	No
SA4BF5M2SN48K	C75B(A,H)MX4860(C,U)-C + G8SD-100U-T35C(*)	47,000	16.0	12.0	1,415	1,015	No

SA4BF5M2SN24K	B65VMMX24K-B	23,000	16.0	12.0	805	535	No
SA4BF5M2SN24K	B65VMMX3648K-C	35,000	16.0	12.0	1,115	730	No
SA4BF5M2SN36K	B65VMMX3648K-C	47,000	16.0	12.0	1,460	1,320	No
SA4BF5M2SN48K	B65VMMX60K-C	55,500	16.0	12.0	1,700	1,145	No

EXPANDED COOLING PERFORMANCE

SA4BF5M2SN24K + C75B(A,H)MX24(C,U)-B G7T-B HIGH SPEED

System ID: 2846

O.D.T		65°F			75°F			85°F			95°F			105°F			115°F			
CFM	E.D.B.	E.W.B.	T.C.	S.C.	K.W.	T.C.	S.C.	K.W.	T.C.	S.C.	K.W.	T.C.	S.C.	K.W.	T.C.	S.C.	K.W.	T.C.	S.C.	K.W.
750	80	62	25.5	22.5	1.33	24.6	22.1	1.50	23.6	21.6	1.69	22.6	21.1	1.90	21.4	19.8	2.14	20.3	19.8	2.41
	80	67	27.6	18.7	1.33	26.7	18.3	1.50	25.7	17.9	1.69	24.6	17.4	1.90	23.5	17.0	2.14	22.1	16.4	2.42
	80	72	30.0	15.0	1.32	29.0	14.6	1.50	27.9	14.0	1.69	26.8	13.6	1.90	25.6	13.3	2.16	24.2	12.7	2.46
	75	62	25.4	18.9	1.33	24.5	18.5	1.50	23.5	18.1	1.69	22.5	17.6	1.90	21.4	17.0	2.14	20.1	16.5	2.41
800	75	67	27.5	15.2	1.33	26.6	14.8	1.50	25.6	14.3	1.69	24.4	13.7	1.90	23.2	13.1	2.15	21.9	12.5	2.43
	80	62	25.7	23.2	1.37	24.8	22.7	1.54	23.8	22.2	1.72	22.7	21.6	1.93	21.6	21.0	2.17	20.4	20.1	2.45
	80	67	27.8	19.2	1.36	26.9	18.7	1.53	25.9	18.3	1.72	24.8	17.9	1.93	23.6	17.4	2.18	22.3	16.9	2.46
	80	72	30.2	15.2	1.36	29.2	14.8	1.54	28.1	14.2	1.72	27.0	13.8	1.94	25.7	13.5	2.19	24.2	12.7	2.49
850	75	62	25.6	19.4	1.37	24.7	19.0	1.54	23.7	18.5	1.72	22.7	18.0	1.93	21.5	17.5	2.17	20.2	16.9	2.44
	75	67	27.8	15.4	1.36	26.8	15.0	1.54	25.8	14.5	1.72	24.6	13.9	1.93	23.4	13.3	2.18	22.0	12.7	2.46
	80	62	25.9	23.8	1.39	24.9	23.3	1.56	23.9	22.8	1.75	22.9	22.2	1.96	21.8	21.5	2.20	20.7	20.6	2.47
	80	67	28.1	19.6	1.39	27.1	19.2	1.56	26.1	18.8	1.75	25.0	18.4	1.95	23.8	17.9	2.20	22.4	17.3	2.48
850	80	72	30.3	15.3	1.38	29.3	14.9	1.56	28.4	14.6	1.75	27.1	14.0	1.96	25.9	13.7	2.22	24.4	13.2	2.52
	75	62	25.8	19.9	1.39	24.9	19.4	1.56	23.8	18.9	1.75	22.8	18.5	1.96	21.6	17.9	2.20	20.3	17.4	2.47
	75	67	27.9	15.6	1.39	27.0	15.3	1.56	26.0	14.8	1.75	24.7	14.0	1.96	23.5	13.5	2.20	22.1	12.9	2.49

SA4BF5M2SN24K + C75B(A,H)MX24(C,U)-B G7T-B LOW SPEED

System ID: 2847

O.D.T		65°F			75°F			85°F			95°F			105°F			115°F			
CFM	E.D.B.	E.W.B.	T.C.	S.C.	K.W.	T.C.	S.C.	K.W.	T.C.	S.C.	K.W.	T.C.	S.C.	K.W.	T.C.	S.C.	K.W.	T.C.	S.C.	K.W.
495	80	62	18.5	16.0	0.81	17.8	15.7	0.95	17.1	15.4	1.11	16.2	14.8	1.31	15.1	14.3	1.55	14.1	13.6	2.20
	80	67	19.9	13.4	0.79	19.2	13.1	0.93	18.8	12.9	1.08	17.9	12.5	1.29	16.8	12.0	1.54	15.6	11.5	1.79
	80	72	21.9	11.0	0.77	21.1	10.6	0.91	20.4	10.3	1.06	19.6	10.0	1.27	18.2	9.5	1.56	17.3	9.7	1.64
	75	62	18.0	13.2	0.82	17.5	12.8	0.95	16.7	12.6	1.11	16.0	12.2	1.31	15.1	12.0	1.55	14.1	8.5	2.01
535	75	67	19.9	10.9	0.80	19.2	10.7	0.93	18.6	10.4	1.08	17.7	10.0	1.29	16.6	9.5	1.54	15.2	8.9	1.64
	80	62	18.7	16.7	0.81	18.1	16.3	0.95	17.3	15.9	1.11	16.5	15.5	1.31	15.2	14.6	1.55	14.3	14.1	1.84
	80	67	20.2	13.9	0.80	19.7	13.6	0.93	19.0	13.3	1.08	18.1	12.9	1.29	17.0	12.5	1.54	15.8	12.0	1.81
	80	72	22.2	11.2	0.78	21.4	10.9	0.91	20.7	10.6	1.07	19.8	10.3	1.27	18.6	9.9	1.56	17.6	10.1	2.44
570	75	62	18.3	13.6	0.82	17.6	13.3	0.95	17.3	13.2	1.12	16.4	13.0	1.32	15.4	12.5	1.56	13.7	11.6	2.11
	75	67	20.2	11.3	0.80	19.5	11.0	0.93	18.8	10.7	1.09	17.9	10.3	1.29	16.8	9.8	1.54	15.8	8.7	1.82
	80	62	18.9	17.2	0.82	18.3	16.9	0.95	17.5	16.4	1.11	16.7	16.1	1.32	15.5	15.4	1.58	14.6	14.4	1.84
	80	67	20.6	14.3	0.80	19.9	14.0	0.93	19.2	13.7	1.09	18.3	13.2	1.29	17.2	12.9	1.55	15.9	12.1	1.78
570	80	72	22.5	11.5	0.78	21.6	11.1	0.91	20.9	10.9	1.07	20.1	10.6	1.28	18.8	10.1	1.56	18.2	9.9	1.82
	75	62	18.5	14.1	0.82	18.2	13.7	0.95	17.5	13.3	1.12	16.5	13.4	1.32	15.5	12.9	1.56	14.3	12.6	2.11
	75	67	20.4	11.5	0.80	19.7	11.2	0.93	19.0	10.9	1.09	18.2	10.5	1.29	17.0	10.0	1.53	15.8	9.4	1.78

SA4BF5M2SN36K + C75B(A,H)MX36(C,U)-B G7T-B HIGH SPEED

System ID: 2971

O.D.T		65°F			75°F			85°F			95°F			105°F			115°F			
CFM	E.D.B.	E.W.B.	T.C.	S.C.	K.W.	T.C.	S.C.	K.W.	T.C.	S.C.	K.W.	T.C.	S.C.	K.W.	T.C.	S.C.	K.W.	T.C.	S.C.	K.W.
1000	80	62	38.6	31.7	2.20	37.5	31.7	2.41	36.0	31.1	2.64	34.5	30.4	2.91	32.8	29.6	3.24	31.0	28.6	3.63
	80	67	41.9	26.9	2.21	40.5	26.2	2.41	39.1	25.7	2.63	37.5	25.0	2.88	35.8	24.2	3.19	33.9	23.4	3.55
	80	72	45.6	22.0	2.22	43.8	21.3	2.41	42.2	20.6	2.63	40.6	20.0	2.88	38.8	19.3	3.17	36.9	18.5	3.51
	75	62	38.6	27.5	2.21	37.3	26.9	2.41	35.9	26.1	2.64	34.3	25.3	2.91	32.6	24.3	3.23	30.8	23.4	3.62
1120	75	67	41.8	22.3	2.21	40.4	21.7	2.41	38.9	21.0	2.63	37.1	20.2	2.88	35.5	19.5	3.19	33.6	18.7	3.56
	80	62	39.3	33.2	2.27	38.1	33.4	2.48	36.7	32.9	2.71	35.0	32.1	2.97	33.3	31.2	3.30	31.4	30.1	3.68
	80	67	42.6	28.0	2.28	41.2	27.4	2.47	39.7	26.8	2.69	38.1	25.9	2.95	36.3	25.2	3.25	34.3	24.3	3.62
	80	72	46.4	22.7	2.29	44.8	22.1	2.48	43.2	21.4	2.70	41.2	20.6	2.95	39.4	19.9	3.24	37.4	19.2	3.58
1350	75	62	39.4	28.6	2.28	38.0	28.1	2.48	36.6	27.4	2.71	34.9	26.6	2.98	33.1	25.4	3.30	31.2	24.5	3.70
	75	67	42.5	22.9	2.28	41.1	22.3	2.48	39.5	21.6	2.69	37.8	20.9	2.95	35.9	20.0	3.25	34.2	19.2	3.62
	80	62	40.2	35.8	2.44	38.8	36.2	2.64	37.4	35.6	2.87	35.7	34.5	3.14	34.0	33.5	3.46	32.2	32.0	3.84
	80	67	43.6	29.8	2.45	42.0	29.1	2.64	40.5	28.6	2.86	38.7	27.8	3.12	36.8	27.0	3.42	34.8	26.1	3.78
1350	80	72	47.0	23.6	2.46	45.7	23.0	2.65	43.9	22.4	2.86	41.9	21.6	3.11	39.9	20.7	3.40	37.8	19.8	3.74
	75	62	40.3	30.7	2.44	38.7	30.1	2.64	37.2	29.4	2.87	35.5	28.5	3.14	33.6	27.1	3.46	31.6	26.2	3.84
	75	67	43.2	23.8	2.45	41.9	23.3	2.64	40.2	22.6	2.86	38.5	21.8	3.11	36.5	21.0	3.42	34.5	20.1	3.78

SA4BF5M2SN36K + C75B(A,H)MX36(C,U)-B G7T-B LOW SPEED

System ID: 2972

O.D.T		65°F			75°F			85°F			95°F			105°F			115°F			
CFM	E.D.B.	E.W.B.	T.C.	S.C.	K.W.	T.C.	S.C.	K.W.	T.C.	S.C.	K.W.	T.C.	S.C.	K.W.	T.C.	S.C.	K.W.	T.C.	S.C.	K.W.
670	80	62	27.4	22.9	1.28	26.5	22.5	1.51	25.4	21.9	1.80	24.1	21.3	2.14	22.7	20.7	2.54	20.5	19.8	3.27
	80	67	29.7	19.3	1.24	28.6	18.7	1.45	27.7	18.4	1.68	26.5	17.7	1.96	25.1	17.1	2.31	23.6	16.4	2.71
	80	72	32.5	16.0	1.22	31.2	15.4	1.43	29.9	14.9	1.66	28.7	14.4	1.91	27.4	13.9	2.18	26.0	13.3	2.50
	75	62	27.3	19.5	1.29	26.4	19.1	1.51	25.2	18.5	1.80	24.0	17.7	2.16	22.6	17.2	2.55	21.0	16.4	3.00
745	75	67	29.5	16.0	1.25	28.5	15.5	1.45	27.5	15.1	1.68	26.4	14.6	1.96	25.0	14.0	2.31	23.5	13.3	2.70
	80	62	27.9	24.0	1.33	26.9	23.5	1.55	25.8	23.0	1.84	24.5	22.4	2.18	23.0	21.0	2.60	20.8	19.1	2.80
	80	67	30.1	19.9	1.29	29.1	19.4	1.50	28.1	18.7	1.73	26.9	18.4	2.00	25.5	17.8	2.35	23.9	17.2	2.75
	80	72	33.0	16.4	1.26	31.7	15.8	1.48	30.4	15.3	1.70	29.0	14.7	1.95	27.6	14.2	2.23	26.3	13.7	2.55
905	75	62	27.8	20.1	1.33	26.9	19.8	1.55	25.7	19.3	1.84	24.3	18.4	2.20	22.9	17.9	2.60	21.2	17.1	3.04
	75	67	30.0	16.4	1.29	29.0	16.0	1.50	28.0	15.5	1.73	26.8	15.0	2.00	25.2	14.3	2.35	23.7	13.6	2.74
	80	62	28.6	26.0	1.45	27.5	25.6	1.67	26.3	25.0	1.96	25.0	24.3	2.30	23.5	23.3	2.70	22.1	22.0	3.14
	80	67	30.8	21.2	1.41	29.7	20.7	1.62	28.6	20.2	1.85	27.4	19.9	2.13	25.9	19.1	2.47	24.2	18.5	2.86
905	80	72	33.4	16.9	1.39	32.3	16.4	1.60	30.7	15.9	1.83	29.6	15.4	2.08	28.1	14.9	2.36	26.5	14.2	2.68
	75	62	28.4	21.8	1.45	27.4	21.3	1.67	26.2	20.7	1.96	24.8	20.1	2.30	23.2	18.9	2.72	21.5	18.2	3.16
	75	67	30.8	17.1	1.41	29.6	16.6	1.62	28.5	16.2	1.86	27.3	15.7							

EXPANDED COOLING PERFORMANCE (CONT.)

SA4BF5M2SN48K + C75B(A,H)MX4860(C,U)-C G7T-C HIGH SPEED

System ID: 2973

CFM	O.D.T		65°F			75°F			85°F			95°F			105°F			115°F		
	E.D.B.	E.W.B.	T.C.	S.C.	K.W.	T.C.	S.C.	K.W.	T.C.	S.C.	K.W.	T.C.	S.C.	K.W.	T.C.	S.C.	K.W.	T.C.	S.C.	K.W.
1415	80	62	52.0	44.3	2.93	50.0	43.4	3.21	48.0	42.5	3.53	46.0	41.2	3.89	43.6	40.4	4.31	41.1	38.9	4.78
	80	67	56.5	36.9	2.95	54.2	35.3	3.23	52.4	35.4	3.54	50.0	34.3	3.91	47.5	33.2	4.32	44.8	31.8	4.81
	80	72	60.9	29.7	2.98	59.1	29.0	3.26	56.8	28.1	3.57	54.3	27.1	3.93	51.6	26.1	4.35	48.8	25.0	4.83
	75	62	51.8	37.5	2.93	49.9	36.5	3.21	48.0	35.7	3.53	45.8	34.7	3.88	43.5	33.6	4.30	41.0	31.7	4.79
	75	67	56.2	30.2	2.95	54.3	29.4	3.23	52.1	28.4	3.54	49.9	27.4	3.91	47.3	26.3	4.32	44.7	25.2	4.80
1480	80	62	52.4	45.3	2.96	50.4	44.4	3.24	48.3	43.5	3.55	46.2	42.5	3.91	43.8	40.5	4.34	41.4	39.7	4.81
	80	67	56.8	37.4	2.98	54.7	35.9	3.26	52.7	36.0	3.57	50.3	34.9	3.94	47.8	33.8	4.35	45.1	32.6	4.83
	80	72	61.4	30.1	3.01	59.5	29.4	3.29	57.2	28.5	3.60	54.6	27.5	3.96	51.9	26.4	4.38	49.0	25.3	4.86
	75	62	52.1	38.1	2.96	50.2	37.2	3.24	48.2	36.4	3.55	46.1	35.4	3.91	43.8	34.2	4.33	41.2	32.3	4.82
	75	67	56.6	30.6	2.98	54.7	29.9	3.26	52.5	28.8	3.57	50.2	27.8	3.94	47.6	26.7	4.35	45.0	25.6	4.83
1505	80	62	52.3	45.4	3.04	50.3	44.6	3.32	48.3	43.7	3.64	46.2	42.2	4.01	43.7	40.6	4.42	41.2	39.8	4.90
	80	67	56.8	37.6	3.07	54.4	35.7	3.34	52.6	36.0	3.66	50.1	34.9	4.02	47.7	33.9	4.44	45.0	32.1	4.92
	80	72	61.3	30.0	3.10	59.4	29.3	3.37	57.1	28.3	3.69	54.5	27.4	4.05	51.8	26.3	4.47	48.9	25.2	4.95
	75	62	52.0	38.1	3.04	50.1	37.3	3.32	48.1	36.4	3.64	45.9	35.4	4.00	43.6	34.2	4.42	41.1	32.7	4.90
	75	67	56.5	30.5	3.07	54.6	29.8	3.34	52.4	28.7	3.66	50.0	27.6	4.02	47.5	26.6	4.44	44.8	25.5	4.92

SA4BF5M2SN48K + C75B(A,H)MX4860(C,U)-C G7T-C HIGH SPEED

System ID: 2974

CFM	O.D.T		65°F			75°F			85°F			95°F			105°F			115°F		
	E.D.B.	E.W.B.	T.C.	S.C.	K.W.	T.C.	S.C.	K.W.	T.C.	S.C.	K.W.	T.C.	S.C.	K.W.	T.C.	S.C.	K.W.	T.C.	S.C.	K.W.
950	80	62	35.5	30.8	1.65	34.6	30.4	1.93	33.1	29.7	2.22	31.2	28.8	2.56	28.9	27.6	2.96	26.6	26.3	3.40
	80	67	39.0	26.0	1.63	37.9	25.5	1.91	36.3	24.9	2.19	34.4	22.9	2.51	32.2	23.0	2.85	29.6	22.0	3.29
	80	72	43.3	21.4	1.65	41.9	20.7	1.93	40.0	20.1	2.21	37.9	19.2	2.51	35.5	18.4	2.85	32.8	17.0	3.26
	75	62	35.4	26.0	1.65	34.5	25.6	1.93	33.0	24.9	2.23	31.0	24.0	2.56	28.8	23.0	2.95	26.3	21.8	3.40
	75	67	39.0	21.3	1.63	37.9	20.8	1.91	36.2	20.2	2.19	34.4	19.4	2.50	32.2	18.4	2.86	29.6	17.3	3.29
990	80	62	35.9	31.5	1.65	34.9	31.1	1.93	33.3	30.4	2.23	31.4	29.4	2.56	29.2	28.2	2.96	26.9	26.5	3.40
	80	67	39.4	26.5	1.64	38.2	26.0	1.91	36.6	25.4	2.20	34.6	24.5	2.50	32.4	23.5	2.86	30.1	22.6	3.28
	80	72	43.7	21.6	1.66	42.3	21.2	1.93	40.3	20.4	2.21	38.2	19.6	2.51	35.8	18.7	2.85	33.2	17.7	3.26
	75	62	35.7	26.5	1.65	34.7	26.1	1.93	33.3	25.4	2.23	31.3	24.6	2.56	29.0	23.4	2.95	26.5	22.3	3.40
	75	67	39.2	21.6	1.64	38.1	21.1	1.91	36.5	20.5	2.20	34.6	19.6	2.51	32.4	18.7	2.86	29.8	17.6	3.30
1010	80	62	36.0	31.9	1.66	35.0	31.4	1.93	33.5	30.7	2.23	31.5	29.7	2.57	29.3	28.5	2.96	27.1	26.7	3.40
	80	67	39.6	26.8	1.64	38.3	26.3	1.91	36.7	25.6	2.20	34.7	24.7	2.51	32.5	23.8	2.86	30.0	22.8	3.29
	80	72	43.9	21.8	1.66	42.4	21.3	1.93	40.4	20.3	2.22	38.4	19.7	2.52	36.0	18.9	2.85	33.2	17.4	3.26
	75	62	35.9	26.8	1.66	34.9	26.4	1.93	33.4	25.7	2.23	31.4	24.8	2.57	29.1	23.7	2.95	26.6	22.5	3.40
	75	67	39.3	21.7	1.64	38.3	21.3	1.92	36.6	20.6	2.20	34.7	19.7	2.51	32.4	18.8	2.86	29.9	17.8	3.30

SA4BF5M2SN60K + C75B(A,H)MX4860(C,U)-C G7T-C HIGH SPEED

System ID: 2874

CFM	O.D.T		65°F			75°F			85°F			95°F			105°F			115°F		
	E.D.B.	E.W.B.	T.C.	S.C.	K.W.	T.C.	S.C.	K.W.	T.C.	S.C.	K.W.	T.C.	S.C.	K.W.	T.C.	S.C.	K.W.	T.C.	S.C.	K.W.
1480	80	62	60.3	48.4	3.44	58.4	47.8	3.81	56.1	46.5	4.20	53.9	45.5	4.65	51.5	43.7	5.20	48.7	42.8	5.97
	80	67	65.4	41.2	3.47	63.6	40.5	3.85	61.3	39.4	4.26	58.9	38.5	4.73	56.3	37.2	5.30	53.2	35.8	6.12
	80	72	69.6	33.3	3.49	68.3	32.8	3.87	66.1	32.0	4.28	63.7	31.0	4.76	61.1	29.9	5.35	57.6	28.5	6.21
	75	62	60.2	41.7	3.44	58.1	40.6	3.81	56.0	39.5	4.20	53.7	38.4	4.65	51.3	37.3	5.20	48.5	35.9	5.96
	75	67	65.2	34.4	3.47	63.2	33.5	3.85	61.0	32.5	4.26	58.6	31.4	4.73	56.0	30.3	5.29	53.0	28.9	6.11
1545	80	62	60.7	49.2	3.49	58.8	48.6	3.86	56.6	47.5	4.25	54.2	46.4	4.70	51.8	44.5	5.25	48.9	43.5	6.02
	80	67	65.8	41.8	3.52	64.0	41.0	3.90	61.7	40.0	4.31	59.2	38.9	4.78	56.6	37.7	5.35	53.5	36.3	6.17
	80	72	70.2	33.8	3.53	68.7	33.2	3.92	66.5	32.3	4.33	64.1	31.3	4.81	61.4	30.2	5.41	57.9	28.8	6.26
	75	62	60.6	42.4	3.49	58.6	41.2	3.86	56.3	40.1	4.25	54.0	38.9	4.70	51.5	37.7	5.24	48.8	36.6	6.00
	75	67	65.6	34.8	3.52	63.6	33.8	3.89	61.4	32.8	4.30	59.0	31.8	4.77	56.3	30.6	5.34	53.2	29.2	6.16
1595	80	62	61.1	49.9	3.54	59.1	49.5	3.91	56.8	48.4	4.30	54.5	47.4	4.75	52.0	46.0	5.29	49.2	44.3	6.06
	80	67	66.2	42.4	3.57	64.3	41.6	3.95	62.0	40.6	4.36	59.5	39.5	4.83	56.8	38.3	5.40	53.7	36.8	6.22
	80	72	70.7	34.1	3.59	69.1	33.5	3.97	66.9	32.6	4.38	64.4	31.6	4.86	61.8	30.5	5.45	58.2	29.1	6.30
	75	62	61.0	43.0	3.54	58.9	41.8	3.91	56.7	40.6	4.30	54.4	39.9	4.75	51.8	38.2	5.29	49.0	37.1	6.05
	75	67	66.0	35.0	3.57	64.0	34.2	3.95	61.7	33.2	4.36	59.3	32.1	4.83	56.6	30.9	5.39	53.0	29.3	6.19

SA4BF5M2SN48K + C75B(A,H)MX4860(C,U)-C G7T-C HIGH SPEED

System ID: 2875

CFM	O.D.T		65°F			75°F			85°F			95°F			105°F			115°F		
	E.D.B.	E.W.B.	T.C.	S.C.	K.W.	T.C.	S.C.	K.W.	T.C.	S.C.	K.W.	T.C.	S.C.	K.W.	T.C.	S.C.	K.W.	T.C.	S.C.	K.W.
990	80	62	43.9	35.1	2.07	42.3	34.3	2.37	40.4	33.4	2.69	38.2	32.3	3.06	35.8	31.1	3.51	32.3	28.0	4.17
	80	67	48.0	30.2	2.05	46.3	29.4	2.35	44.4	28.4	2.69	42.1	27.4	3.07	39.4	26.1	3.55	36.1	24.6	4.23
	80	72	51.9	25.1	2.02	50.4	24.4	2.32	48.5	23.6	2.66	46.1	22.6	3.04	43.5	21.6	3.52	40.1	20.2	4.23
	75	62	43.7	30.0	2.07	42.2	29.5	2.37	40.2	28.1	2.69	38.1	27.5	3.06	35.7	26.2	3.51	32.5	24.8	4.16
	75	67	47.8	25.4	2.05	46.1	24.6	2.35	44.3	23.8	2.68	42.0	22.7	3.07	39.4	21.6	3.54	36.0	20.1	4.22
1035	80	62	44.4	35.8	2.08	42.7	35.1	2.38	40.8	34.2	2.70	38.6	33.0	3.07	36.1	31.8	3.52	32.9	29.6	4.17
	80	67	48.4	30.6	2.06	46.9	30.0	2.36	44.8	28.9	2.69	42.4	27.9	3.08	39.9	26.6	3.55	3		



GENERAL TERMS OF LIMITED WARRANTY

Nortek Global HVAC, LLC will furnish a replacement for any part of this product which fails in normal use and service within the terms and conditions of the warranty.

For complete details of the Limited Warranty, including applicable terms and conditions, see your local installer or contact the Nortek Global HVAC, LLC warranty department for a copy.

Before purchasing this appliance, read important energy cost and efficiency information available from your retailer. Specifications and illustrations subject to change without notice and without incurring obligations. Printed in U.S.A (06/2024)