

## TECHNICAL SPECIFICATIONS

# WSA3BE Series

## High Efficiency Air Conditioner 14.3 / 13.8 SEER2 Residential System 1-1/2 – 5 Ton Capacity

The WSA3BE Series of air conditioners offers exceptional performance. The unit, when combined with our engineered coils or air handlers, offers a full line of quality, split system cooling equipment.

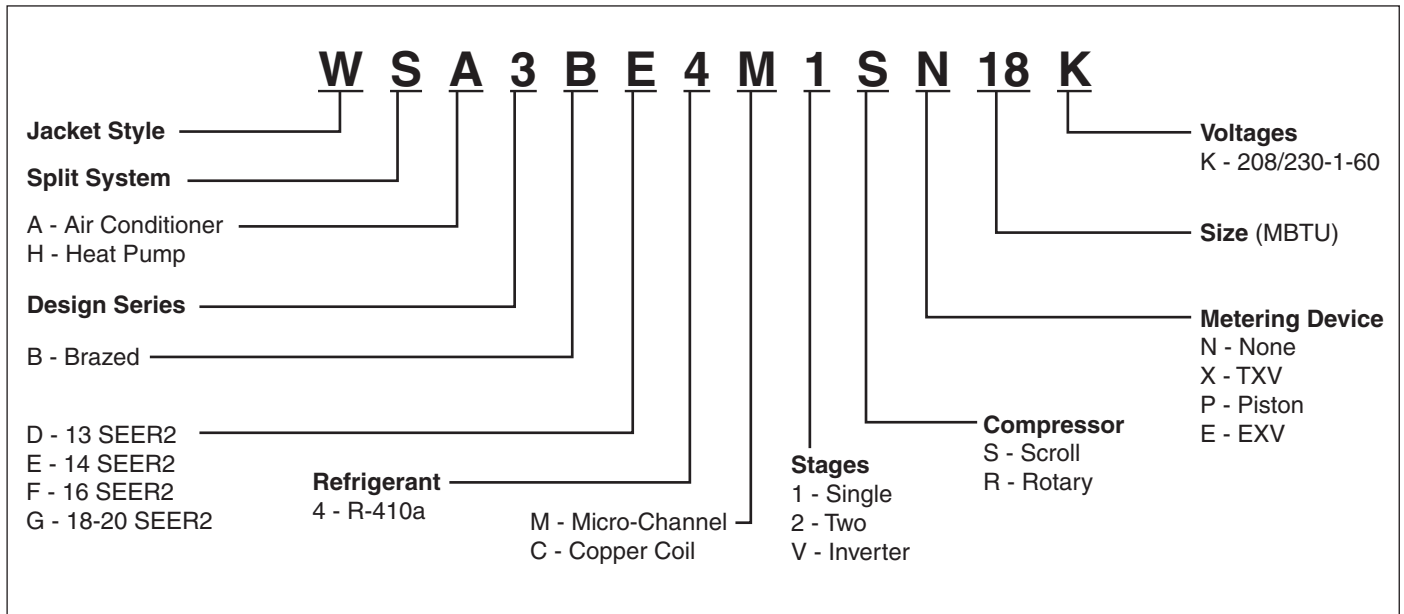


## FEATURES and BENEFITS

- **Quality Compressor:** State-of-the-art Copeland Scroll™ compressor is standard equipment..
- **Designed Using Galvanized Steel:** With powder-coated paint with a gloss finish that eliminates sharp edges and reduces scratching. it passes 950 hours of salt spray per ASTM Std. B117.
- **Permanently Lubricated Motor:** A heavy duty PSC motor for long lasting reliability and quiet operation. Requires no maintenance and is completely protected from rain and snow.
- **Removable Top Grille Assembly:** Allows ease of service from the top without disconnecting fan motor leads.
- **High Pressure Switch:** Protects against abnormally high system pressures. Auto-reset feature prevents nuisance service visits.
- **Liquid Line Filter Drier:** Included with unit, field installed.
- **One Piece Top/Orifice:** Designed for maximum airflow and quiet operation.
- **Easy Compressor and Control Access:** Designed to make servicing easier for the contractor, access panels are provided to all controls and the compressor from the side of the unit.
- **Composite Base Pan:** Absorbs sound and is corrosion resistant. Composite is also stronger and lighter than steel.
- **All-Aluminum Coils:** All aluminum coils in all models which provides high corrosion resistance.
- **Servicer-Friendly Jacket:** Side panels can be easily removed and replaced without removing the top grill.



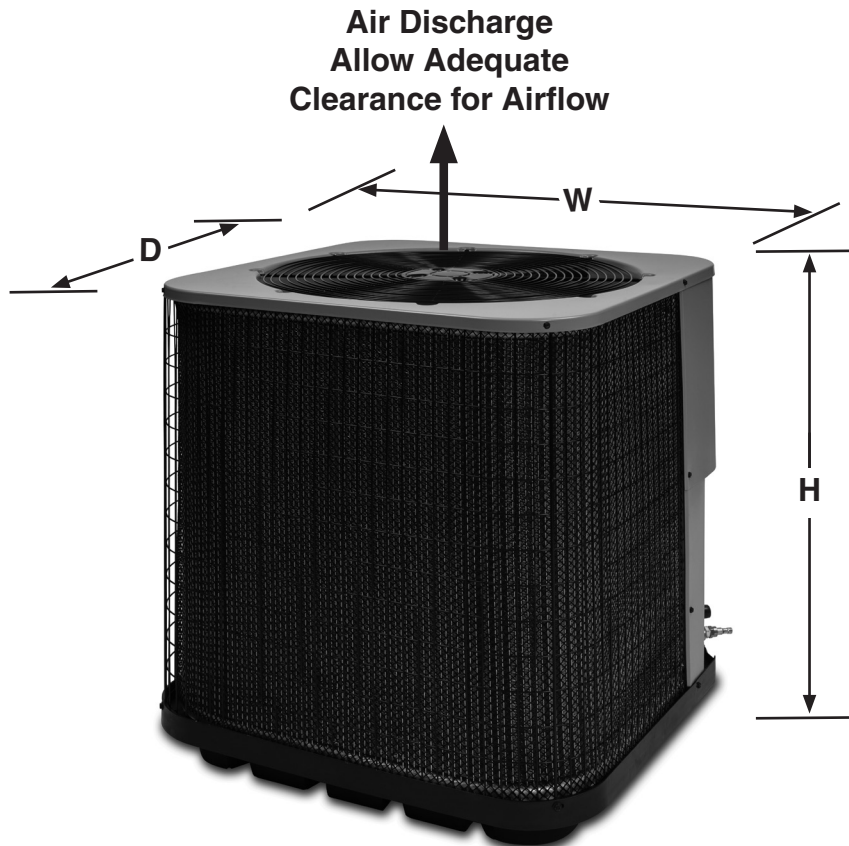
# MODEL IDENTIFICATION CODES



## DIMENSIONS

### AIR CONDITIONER OUTDOOR SECTION

WSA3BE	18K	24K	30K	36K	42K	48K	60K
H	29.25	29.25	29.25	41.25	45.25	45.25	45.25
W	30.75	30.75	30.75	30.75	30.75	30.75	30.75
D	30.75	30.75	30.75	30.75	30.75	30.75	30.75



# PHYSICAL AND ELECTRICAL SPECIFICATIONS / OUTDOOR UNITS

## 14 SEER — High Efficiency — Single Phase

Model Number WSA3BE			18K	24K	30K	36K	42K	48K	60K
Electrical Data	Volts-Cycles-Phase (1)		208/230-60-1						
	Delay Fuse Max. (2)		20	25	25	30	40	45	60
	Min. Circuit Ampacity		12.1	15.4	16.9	18.6	23.5	26.2	36.2
Component Data	Fan Motor	HP	1/8	1/8	1/8	1/5	1/4	1/4	1/3
	Compressor Data		LRA	42.6	61.0	65.0	87.4	110.2	110.0
Refrigerant suction line O.D. NOTE: Liquid line is 3/8" O.D. for entire length."		0-24 ft.	3/4"	3/4"	3/4"	3/4"	7/8"	7/8"	7/8"
		25-39 ft.	3/4"	3/4"	3/4"	7/8" (3)	7/8"	7/8"	1-1/8" (4)
		40-75 ft.	3/4"	3/4"	3/4"	7/8" (3)	7/8"	7/8"	1-1/8" (4)
Approximate Shipping Weight (lbs.)			187	192	197	225	273	264	268
Sound Rating db			69	69	69	71	73	74	75

(1) Operating Voltage Range: 187v min. - 253v max.

(2) HACR Type Circuit Breakers may be used.

(3) Requires 7/8" to 3/4" reducer from line to unit.

(4) Requires 7/8" to 1-1/8" reducer from line to unit.

## ACCESSORIES - Condensing Unit

### Start Assist Kit - 912933

Provides additional starting torque for the compressor motor when operating with low line voltage or high operating temperatures.

**High Wind Tie-Down Kits** - <http://miamitech.com/products/metal/cutdnortek.html>

### Low Ambient Kit - 918837

### Cantilever Mounting Kit - 1018671

Four mounting corner post/panel split system design to cantilever mounts.

# SYSTEM COOLING CAPACITIES

## 14 SEER — High Efficiency — Single Phase

Outdoor Unit	Indoor Unit	BTUH	SEER2	EER2	CFM
WSA3BE4M1SN18K	C74BAMX24(C,U)-A	18,000	14.3	11.7	605
WSA3BE4M1SN18K	C74BAMX24(C,U)-B	18,000	14.3	11.7	605
WSA3BE4M1SN24K	C74BAMX24(C,U)-A	23,600	14.3	11.7	805
WSA3BE4M1SN24K	C74BAMX24(C,U)-B	23,600	14.3	11.7	805
WSA3BE4M1SN30K	C74BAMX30(C,U)-A	28,600	14.3	11.7	1,010
WSA3BE4M1SN30K	C74BAMX30(C,U)-B	28,600	14.3	11.7	1,010
WSA3BE4M1SN30K	C74BAMX30(C,U)-C	28,600	14.3	11.7	1,010
WSA3BE4M1SN36K	C74BAMX36(C,U)-B	34,800	14.3	11.7	1,195
WSA3BE4M1SN36K	C74BAMX36(C,U)-C	34,800	14.3	11.7	1,195
WSA3BE4M1SN42K	C74BAMX42(C,U)-C	40,500	14.3	11.7	1,410
WSA3BE4M1SN42K	C74BAMX42(C,U)-D	40,500	14.3	11.7	1,410
WSA3BE4M1SN48K	C74BAMX48(C,U)-C	45,000	13.8	11.2	1,600
WSA3BE4M1SN48K	C74BAMX48(C,U)-D	45,000	13.8	11.2	1,600
WSA3BE4M1SN60K	C74BAMX60(C,U)-C	56,500	13.8	11.2	1,870
WSA3BE4M1SN60K	C74BAMX60(C,U)-D	56,500	13.8	11.2	1,870

See current AHRI Directory for certified combinations and ratings. All ratings are with time delay relay.

[www.ahridirectory.org](http://www.ahridirectory.org)

# COOLING EXPANDED RATINGS WITH COIL

WSA3BE4M1SN18K + C74BAMX24(C,U)-A

CFM	O.D.T		65°F			75°F			85°F			95°F			105°F			115°F		
	E.D.B.	E.W.B.	T.C.	S.C.	K.W.	T.C.	S.C.	K.W.	T.C.	S.C.	K.W.	T.C.	S.C.	K.W.	T.C.	S.C.	K.W.	T.C.	S.C.	K.W.
525	80	62	18.9	15.6	1.06	18.1	15.3	1.14	17.2	14.9	1.26	16.4	14.5	1.40	15.4	14.0	1.55	14.1	13.5	1.70
	80	67	20.7	13.3	1.02	19.7	12.8	1.12	19.2	12.6	1.21	18.0	12.1	1.40	17.0	11.7	1.55	15.6	11.1	1.69
	80	72	22.4	10.7	1.00	21.4	10.3	1.11	20.4	9.9	1.23	19.7	9.6	1.37	18.6	9.2	1.52	17.1	8.7	1.69
	75	62	18.9	13.3	1.06	18.0	12.9	1.14	17.2	12.5	1.26	16.3	12.2	1.40	15.3	11.6	1.55	14.1	11.0	1.70
	75	67	20.6	10.9	1.02	19.7	10.5	1.13	18.9	10.2	1.25	18.0	9.7	1.40	16.8	9.2	1.55	15.5	8.7	1.69
600	80	62	19.4	16.6	1.09	18.5	16.3	1.17	17.6	15.7	1.29	16.7	15.6	1.43	15.7	15.1	1.58	14.4	14.3	1.73
	80	67	21.2	13.9	1.05	20.2	13.5	1.15	19.6	13.2	1.24	18.4	12.7	1.43	17.3	12.3	1.58	15.9	11.7	1.73
	80	72	22.9	11.1	1.03	21.8	10.7	1.14	20.7	10.3	1.26	20.0	10.0	1.40	18.9	9.6	1.55	17.4	9.0	1.72
	75	62	19.4	14.1	1.09	18.5	13.6	1.17	17.6	13.2	1.29	16.6	12.8	1.43	15.6	12.3	1.58	14.3	11.7	1.73
	75	67	21.1	11.3	1.05	20.1	10.9	1.16	19.2	10.5	1.28	18.3	10.1	1.43	17.2	9.6	1.58	15.8	9.0	1.72
675	80	62	19.8	17.5	1.12	18.8	17.2	1.20	17.9	16.9	1.32	17.0	16.4	1.46	15.9	15.8	1.61	14.8	14.8	1.76
	80	67	21.6	14.6	1.08	20.6	14.2	1.19	19.9	13.9	1.27	18.7	13.3	1.46	17.6	12.9	1.61	16.1	12.3	1.76
	80	72	23.2	11.5	1.06	22.2	11.1	1.17	21.1	10.6	1.29	20.3	10.3	1.43	19.2	9.9	1.59	17.6	9.3	1.75
	75	62	19.7	14.8	1.12	18.8	14.2	1.20	17.8	13.9	1.32	16.9	13.5	1.46	15.9	12.9	1.61	14.5	12.3	1.76
	75	67	21.5	11.7	1.08	20.5	11.3	1.19	19.6	10.9	1.31	18.6	10.5	1.46	17.4	10.0	1.61	16.0	9.3	1.76

WSA3BE4M1SN24K + C74BAMX24(C,U)-A

CFM	O.D.T		65°F			75°F			85°F			95°F			105°F			115°F		
	E.D.B.	E.W.B.	T.C.	S.C.	K.W.	T.C.	S.C.	K.W.	T.C.	S.C.	K.W.	T.C.	S.C.	K.W.	T.C.	S.C.	K.W.	T.C.	S.C.	K.W.
700	80	62	25.1	20.8	1.38	24.0	20.3	1.51	22.8	19.7	1.67	21.8	19.2	1.86	20.5	18.7	2.06	18.9	18.0	2.28
	80	67	27.2	17.5	1.36	26.0	16.9	1.50	25.3	16.6	1.61	23.9	16.0	1.85	22.6	15.4	2.06	20.9	14.6	2.27
	80	72	29.2	14.1	1.35	28.0	13.5	1.48	27.0	13.1	1.65	26.0	12.7	1.84	24.5	12.2	2.04	22.6	11.4	2.26
	75	62	25.0	17.6	1.38	23.9	17.2	1.51	22.8	16.7	1.67	21.7	16.0	1.86	20.5	15.4	2.06	18.9	14.6	2.27
	75	67	27.2	14.4	1.36	26.0	13.9	1.50	24.9	13.4	1.66	23.6	12.8	1.85	22.5	12.3	2.06	20.8	11.6	2.27
800	80	62	25.7	22.0	1.42	24.5	21.6	1.55	23.3	21.1	1.71	22.2	20.6	1.90	20.9	20.0	2.10	19.2	18.8	2.32
	80	67	27.8	18.3	1.40	26.6	17.8	1.54	25.8	17.5	1.65	24.4	16.9	1.90	23.0	16.2	2.10	21.0	15.3	2.32
	80	72	29.9	14.6	1.39	28.6	14.1	1.53	27.5	13.6	1.69	26.4	13.2	1.88	25.0	12.6	2.09	22.9	11.8	2.31
	75	62	25.6	18.6	1.43	24.4	18.1	1.55	23.3	17.5	1.71	22.1	16.9	1.90	20.8	16.3	2.10	19.2	15.4	2.32
	75	67	27.8	14.9	1.40	26.5	14.4	1.54	25.4	13.9	1.71	24.1	13.3	1.89	22.9	12.8	2.10	21.0	12.0	2.32
900	80	62	26.1	23.2	1.47	24.9	22.8	1.59	23.6	22.3	1.75	22.5	21.7	1.94	21.2	21.0	2.15	19.7	19.7	2.36
	80	67	28.3	19.1	1.45	27.0	18.6	1.58	26.3	18.3	1.70	24.7	17.6	1.94	23.3	17.0	2.14	21.2	16.0	2.36
	80	72	30.3	15.0	1.43	29.2	14.5	1.57	27.9	14.0	1.73	26.7	13.6	1.92	25.3	13.0	2.13	23.1	12.3	2.35
	75	62	26.0	19.4	1.47	24.8	18.9	1.60	23.6	18.4	1.75	22.4	17.7	1.94	21.1	17.1	2.14	19.4	16.1	2.36
	75	67	28.2	15.4	1.45	27.0	14.9	1.58	25.8	14.4	1.75	24.4	13.7	1.94	23.2	13.2	2.14	21.3	12.3	2.36

WSA3BE4M1SN30K + C74BAMX30(C,U)-A

CFM	O.D.T		65°F			75°F			85°F			95°F			105°F			115°F		
	E.D.B.	E.W.B.	T.C.	S.C.	K.W.	T.C.	S.C.	K.W.	T.C.	S.C.	K.W.	T.C.	S.C.	K.W.	T.C.	S.C.	K.W.	T.C.	S.C.	K.W.
875	80	62	29.8	25.1	1.66	28.2	24.4	1.80	26.9	23.7	1.97	25.6	23.2	2.17	24.0	22.6	2.39	22.1	21.5	2.64
	80	67	32.1	20.9	1.64	30.6	20.2	1.79	29.8	19.9	1.92	28.3	19.2	2.18	26.6	18.5	2.40	24.4	17.6	2.64
	80	72	34.7	16.8	1.63	33.3	16.2	1.79	31.8	15.7	1.97	30.3	15.1	2.17	28.6	14.4	2.39	26.7	13.6	2.64
	75	62	29.7	21.3	1.66	28.1	20.6	1.80	26.8	19.9	1.97	25.6	19.3	2.17	24.0	18.4	2.39	22.2	17.6	2.63
	75	67	32.0	17.1	1.64	30.5	16.4	1.80	29.3	15.9	1.97	28.1	15.4	2.18	26.5	14.7	2.40	24.3	13.8	2.64
1000	80	62	30.4	26.7	1.71	28.7	25.9	1.86	27.4	25.4	2.03	26.0	24.8	2.23	24.4	23.8	2.45	22.7	22.7	2.70
	80	67	32.8	21.9	1.69	31.2	21.3	1.85	30.3	20.9	1.97	28.7	20.3	2.24	27.0	19.4	2.46	24.7	18.5	2.70
	80	72	35.4	17.5	1.69	34.0	16.9	1.85	32.4	16.2	2.02	30.9	15.6	2.22	29.1	14.9	2.45	27.1	14.2	2.70
	75	62	30.3	22.4	1.71	28.7	21.7	1.86	27.3	21.0	2.03	26.0	20.4	2.23	24.4	19.4	2.45	22.5	18.5	2.69
	75	67	32.7	17.7	1.70	31.1	17.1	1.85	29.9	16.6	2.03	28.6	16.0	2.23	26.9	15.3	2.46	24.7	14.2	2.69
1125	80	62	31.0	28.1	1.77	29.2	27.5	1.91	27.7	26.8	2.09	26.4	25.9	2.28	25.0	25.0	2.51	23.2	23.3	2.75
	80	67	33.3	22.9	1.75	31.6	22.2	1.91	30.8	21.8	2.03	29.1	21.2	2.29	27.3	20.4	2.51	25.0	19.5	2.75
	80	72	35.9	17.9	1.75	34.4	17.3	1.91	32.8	16.7	2.08	31.3	16.2	2.28	29.4	15.5	2.50	27.3	14.7	2.76
	75	62	30.8	23.5	1.77	29.1	22.7	1.91	27.6	22.0	2.09	26.3	21.4	2.28	24.7	20.5	2.50	22.7	19.5	2.75
	75	67	33.2	18.3	1.75	31.5	17.6	1.91	30.3	17.1	2.09	29.0	16.5	2.29	27.0	15.7	2.51	24.9	14.8	2.75

# COOLING EXPANDED RATINGS WITH COIL (CONTINUED)

WSA3BE4M1SN36K + C74BAMX36(C,U)-B

CFM	O.D.T		65°F			75°F			85°F			95°F			105°F			115°F		
	E.D.B.	E.W.B.	T.C.	S.C.	K.W.	T.C.	S.C.	K.W.	T.C.	S.C.	K.W.	T.C.	S.C.	K.W.	T.C.	S.C.	K.W.	T.C.	S.C.	K.W.
1050	80	62	36.9	31.4	1.96	35.1	30.7	2.18	33.5	29.7	2.40	31.9	29.2	2.65	30.0	28.3	2.91	27.5	27.0	3.19
	80	67	39.8	26.1	1.93	38.2	25.4	2.17	37.1	24.9	2.34	35.0	23.9	2.66	33.1	23.2	2.92	30.5	22.1	3.20
	80	72	42.8	20.9	1.91	41.2	20.2	2.16	39.5	19.6	2.40	37.9	19.0	2.66	35.9	18.3	2.93	33.0	17.0	3.21
	75	62	36.8	26.6	1.96	35.0	25.9	2.18	33.4	25.1	2.40	31.8	24.2	2.64	30.1	23.1	2.90	27.8	22.1	3.18
	75	67	39.8	21.5	1.94	38.1	20.7	2.17	36.5	20.0	2.41	34.9	19.3	2.66	32.9	18.4	2.91	30.4	17.4	3.20
1200	80	62	37.3	33.0	2.10	35.5	32.3	2.33	33.8	31.7	2.56	32.1	30.9	2.80	30.2	29.7	3.06	28.0	28.0	3.35
	80	67	40.3	27.1	2.08	38.7	26.5	2.32	37.5	25.8	2.49	35.3	25.2	2.81	33.3	24.0	3.08	30.6	22.9	3.35
	80	72	43.4	21.4	2.06	41.7	20.8	2.31	40.0	20.2	2.55	38.2	19.4	2.81	36.1	18.5	3.08	33.1	17.4	3.37
	75	62	37.2	27.8	2.11	35.4	27.0	2.33	33.7	26.2	2.56	32.1	25.4	2.80	30.2	24.1	3.06	27.9	23.0	3.33
	75	67	40.3	21.9	2.09	38.5	21.1	2.32	36.9	20.5	2.56	35.2	19.8	2.81	33.2	18.9	3.07	30.4	17.7	3.35
1350	80	62	37.6	33.9	2.25	35.7	34.1	2.48	34.0	33.2	2.71	32.4	32.1	2.95	30.7	30.7	3.22	28.4	28.4	3.50
	80	67	40.7	28.1	2.23	38.9	27.5	2.47	37.8	26.8	2.64	35.5	26.1	2.97	33.4	24.9	3.23	30.6	23.9	3.51
	80	72	43.6	21.8	2.21	42.0	21.1	2.46	40.1	20.4	2.70	38.4	19.8	2.96	36.2	19.0	3.23	33.1	17.8	3.52
	75	62	37.5	28.8	2.26	35.6	28.1	2.48	33.9	27.3	2.71	32.2	26.5	2.95	30.3	24.9	3.21	27.9	23.8	3.48
	75	67	40.6	22.4	2.24	38.8	21.6	2.47	37.1	21.0	2.71	35.3	20.1	2.96	33.2	19.2	3.22	30.4	18.0	3.50

WSA3BE4M1SN42K + C74BAMX42(C,U)-C

CFM	O.D.T		65°F			75°F			85°F			95°F			105°F			115°F		
	E.D.B.	E.W.B.	T.C.	S.C.	K.W.	T.C.	S.C.	K.W.	T.C.	S.C.	K.W.	T.C.	S.C.	K.W.	T.C.	S.C.	K.W.	T.C.	S.C.	K.W.
1225	80	62	41.4	34.5	2.43	40.2	34.0	2.64	38.8	33.2	2.89	37.0	32.4	3.19	35.0	31.4	3.53	32.9	30.4	3.92
	80	67	45.2	29.2	2.43	43.7	28.6	2.64	42.6	28.1	2.81	40.3	27.1	3.15	38.3	26.2	3.46	36.2	25.3	3.84
	80	72	50.1	24.2	2.44	48.4	23.5	2.66	46.4	22.7	2.89	44.3	21.9	3.16	42.0	21.0	3.46	39.6	20.0	3.82
	75	62	41.3	29.4	2.43	40.0	28.8	2.64	38.6	28.0	2.89	36.9	27.3	3.19	34.8	26.3	3.55	32.8	25.3	3.92
	75	67	45.1	24.1	2.43	43.5	23.4	2.64	42.0	22.7	2.88	40.2	21.9	3.15	38.2	21.1	3.46	36.1	20.2	3.84
1410	80	62	42.5	36.8	2.46	41.2	36.2	2.67	39.7	35.4	2.92	37.9	34.5	3.22	35.9	33.6	3.56	33.6	32.5	3.94
	80	67	46.4	31.0	2.46	44.8	30.3	2.67	43.7	29.8	2.84	41.3	28.7	3.18	39.2	27.8	3.49	37.0	26.9	3.87
	80	72	51.4	25.3	2.47	49.6	24.7	2.69	47.5	23.8	2.92	45.2	22.9	3.19	42.9	22.0	3.50	40.4	21.1	3.85
	75	62	42.4	31.1	2.46	41.0	30.4	2.67	39.6	29.7	2.92	37.8	28.9	3.22	35.7	27.9	3.56	33.5	26.8	3.94
	75	67	46.2	25.2	2.46	44.6	24.5	2.67	43.0	23.8	2.91	41.1	23.0	3.18	39.1	22.1	3.49	36.8	21.1	3.87
1575	80	62	43.3	38.7	2.49	41.9	38.1	2.70	40.4	37.2	2.95	38.6	36.5	3.24	36.4	35.4	3.58	34.2	34.1	3.97
	80	67	47.3	32.4	2.49	45.6	31.6	2.70	44.4	31.1	2.86	41.9	30.1	3.21	39.8	29.2	3.52	37.5	28.2	3.90
	80	72	52.3	26.2	2.50	50.5	25.5	2.71	48.4	24.7	2.95	46.0	23.8	3.22	43.5	22.9	3.52	41.0	21.9	3.88
	75	62	43.2	32.6	2.49	41.8	31.8	2.70	40.3	31.2	2.95	38.4	30.2	3.24	36.3	29.2	3.58	34.0	28.2	3.97
	75	67	47.1	26.2	2.49	45.4	25.4	2.70	43.7	24.7	2.94	41.8	23.8	3.21	39.7	22.9	3.52	37.4	22.0	3.90

WSA3BE4M1SN48K + C74BAMX48(C,U)-C

CFM	O.D.T		65°F			75°F			85°F			95°F			105°F			115°F		
	E.D.B.	E.W.B.	T.C.	S.C.	K.W.	T.C.	S.C.	K.W.	T.C.	S.C.	K.W.	T.C.	S.C.	K.W.	T.C.	S.C.	K.W.	T.C.	S.C.	K.W.
1400	80	62	46.5	38.3	2.81	45.2	37.7	3.05	43.6	36.9	3.33	41.7	36.0	3.66	39.7	34.9	4.05	37.4	33.7	4.51
	80	67	50.8	32.4	2.81	49.2	31.7	3.05	47.9	31.2	3.24	45.3	30.0	3.66	43.1	29.0	4.03	40.9	28.0	4.47
	80	72	56.3	26.7	2.83	54.3	25.9	3.06	52.0	25.0	3.34	49.6	24.1	3.67	47.2	23.0	4.05	44.5	22.0	4.48
	75	62	46.4	32.7	2.81	45.1	32.0	3.05	43.5	31.2	3.33	41.6	30.3	3.66	39.5	29.3	4.05	37.3	28.2	4.51
	75	67	50.6	26.6	2.81	49.0	25.8	3.05	47.2	25.1	3.33	45.2	24.3	3.65	43.0	23.3	4.03	40.7	22.3	4.47
1600	80	62	47.5	40.4	2.90	46.1	39.8	3.14	44.4	38.9	3.42	42.5	37.9	3.75	40.3	37.0	4.14	38.0	35.8	4.60
	80	67	51.9	33.9	2.90	50.1	33.2	3.14	48.8	32.6	3.33	46.1	31.4	3.75	43.8	30.4	4.12	41.5	29.4	4.56
	80	72	57.5	27.7	2.92	55.4	26.8	3.15	53.0	25.8	3.44	50.5	24.8	3.76	47.8	23.9	4.14	45.2	22.9	4.57
	75	62	47.5	34.2	2.90	46.0	33.6	3.14	44.3	32.7	3.42	42.4	31.7	3.75	40.2	30.7	4.14	37.8	29.5	4.60
	75	67	51.6	27.5	2.90	50.0	26.8	3.14	48.0	26.0	3.42	45.9	25.0	3.75	43.7	24.0	4.12	41.3	23.0	4.56
1800	80	62	48.2	42.3	2.99	46.8	41.6	3.23	45.0	41.0	3.51	43.1	40.1	3.84	40.8	38.9	4.23	38.4	37.7	4.68
	80	67	52.6	35.3	2.99	50.9	34.6	3.23	49.5	34.0	3.42	46.7	32.8	3.84	44.3	31.8	4.22	41.9	30.7	4.65
	80	72	58.5	28.4	3.00	56.1	27.5	3.24	53.7	26.6	3.53	51.1	25.7	3.85	48.4	24.6	4.23	45.6	23.5	4.66
	75	62	48.0	35.6	2.99	46.6	34.9	3.23	44.9	34.0	3.51	42.9	33.1	3.84	40.7	32.0	4.23	38.2	30.8	4.68
	75	67	52.4	28.3	2.99	50.7	27.5	3.23	48.7	26.7	3.51	46.5	25.8	3.84	44.2	24.8	4.21	41.7	23.8	4.65



# COOLING EXPANDED RATINGS WITH COIL (CONTINUED)

## WSA3BE4M2SN60K + C74BAMX60(C,U)-C - High Speed

CFM	O.D.T		65°F			75°F			85°F			95°F			105°F			115°F		
	E.D.B.	E.W.B.	T.C.	S.C.	K.W.	T.C.	S.C.	K.W.	T.C.	S.C.	K.W.	T.C.	S.C.	K.W.	T.C.	S.C.	K.W.	T.C.	S.C.	K.W.
1610	80	62	58.2	47.3	3.69	56.7	46.7	4.05	54.8	45.8	4.46	52.6	44.6	4.92	50.1	43.3	5.43	47.4	41.8	6.01
	80	67	63.5	40.2	3.75	61.7	39.4	4.09	59.6	38.5	4.48	57.2	37.4	4.93	54.5	36.2	5.43	51.6	34.8	6.01
	80	72	69.9	33.3	3.84	67.6	32.3	4.18	65.1	31.2	4.55	62.3	30.1	4.98	59.3	29.0	5.48	56.1	27.7	6.06
	75	62	58.1	40.5	3.69	56.5	39.8	4.05	54.6	38.9	4.46	52.4	37.8	4.92	50.0	36.5	5.43	47.3	35.0	6.01
	75	67	63.3	33.3	3.75	61.6	32.6	4.08	59.4	31.6	4.48	57.1	30.5	4.92	54.4	29.3	5.42	51.4	28.0	6.00
1875	80	62	59.7	50.3	3.85	58.0	49.6	4.20	56.0	48.6	4.61	53.7	47.7	5.07	51.1	46.2	5.57	48.2	44.4	6.15
	80	67	65.1	42.4	3.91	63.1	41.5	4.24	60.9	40.6	4.64	58.3	39.5	5.08	55.5	38.2	5.58	52.5	36.7	6.15
	80	72	71.8	34.7	4.00	69.2	33.6	4.33	66.5	32.6	4.70	63.5	31.3	5.14	60.3	30.0	5.64	56.9	28.7	6.21
	75	62	59.5	42.6	3.85	57.9	41.9	4.20	55.8	41.0	4.61	53.5	39.9	5.07	51.1	38.6	5.57	48.0	37.0	6.15
	75	67	64.8	34.5	3.90	62.8	33.6	4.24	60.7	32.8	4.63	58.2	31.8	5.07	55.3	30.5	5.58	52.2	29.1	6.15
2000	80	62	60.2	51.7	3.92	58.5	50.8	4.27	56.5	50.2	4.68	54.1	49.0	5.13	51.4	47.5	5.64	48.5	45.7	6.22
	80	67	65.7	43.4	3.98	63.7	42.5	4.31	61.4	41.5	4.71	58.8	40.4	5.15	55.9	39.1	5.65	52.8	37.6	6.22
	80	72	72.3	35.2	4.07	69.8	34.2	4.40	67.1	33.1	4.77	64.0	31.8	5.21	60.7	30.5	5.71	57.3	29.3	6.28
	75	62	60.0	43.6	3.92	58.3	42.9	4.27	56.3	41.9	4.68	53.9	40.8	5.13	51.2	39.4	5.64	48.3	37.8	6.22
	75	67	65.4	35.1	3.98	63.4	34.3	4.31	61.2	33.4	4.70	58.6	32.3	5.14	55.7	31.0	5.65	52.5	29.5	6.22

## WSA3BE4M2SN60K + C74BAMX60(C,U)-C - Low Speed

CFM	O.D.T		65°F			75°F			85°F			95°F			105°F			115°F		
	E.D.B.	E.W.B.	T.C.	S.C.	K.W.	T.C.	S.C.	K.W.	T.C.	S.C.	K.W.	T.C.	S.C.	K.W.	T.C.	S.C.	K.W.	T.C.	S.C.	K.W.
1205	80	62	43.0	36.2	2.29	41.6	35.9	2.62	39.5	34.9	3.00	37.0	33.7	3.43	34.2	32.5	3.91	31.3	30.8	4.45
	80	67	47.0	30.9	2.27	45.3	30.2	2.59	43.2	29.2	2.95	40.7	28.0	3.36	37.9	26.8	3.82	34.8	25.4	4.37
	80	72	51.8	25.4	2.28	49.8	24.5	2.60	47.3	23.6	2.96	44.6	22.5	3.35	41.6	21.4	3.80	38.5	20.1	4.32
	75	62	42.8	31.0	2.30	41.4	30.2	2.62	39.4	29.2	3.00	36.9	28.2	3.43	34.1	26.5	3.93	31.1	25.3	4.47
	75	67	46.8	25.4	2.27	45.2	24.7	2.59	43.1	23.7	2.95	40.6	22.6	3.36	37.8	21.5	3.82	34.7	20.1	4.37
1405	80	62	44.5	39.7	2.23	43.0	38.4	2.55	41.0	38.1	2.93	38.3	36.9	3.36	35.6	35.1	3.84	33.0	33.0	4.38
	80	67	48.6	33.2	2.21	46.9	32.3	2.53	44.7	31.3	2.89	42.1	30.2	3.29	39.2	28.9	3.76	36.0	27.7	4.30
	80	72	53.6	27.0	2.21	51.4	26.2	2.53	48.9	25.2	2.89	46.0	24.0	3.29	42.9	22.9	3.74	39.7	21.7	4.25
	75	62	44.4	33.2	2.23	42.9	32.7	2.55	40.8	31.8	2.93	38.2	30.4	3.37	35.3	28.7	3.86	32.2	27.2	4.40
	75	67	48.4	26.9	2.21	46.7	26.2	2.53	44.5	25.3	2.89	41.9	24.3	3.29	39.0	23.0	3.75	35.8	21.6	4.30
1500	80	62	45.1	40.5	2.20	43.7	40.6	2.52	41.5	39.6	2.89	38.9	38.2	3.32	36.4	36.4	3.80	33.8	33.8	4.34
	80	67	49.3	34.3	2.17	47.5	33.4	2.50	45.2	32.3	2.86	42.6	31.5	3.26	39.6	30.1	3.73	36.4	28.9	4.27
	80	72	54.3	27.7	2.18	52.1	26.9	2.50	49.5	25.8	2.86	46.5	24.7	3.26	43.5	23.6	3.71	40.1	22.4	4.22
	75	62	45.1	34.5	2.20	43.5	33.8	2.52	41.4	32.8	2.90	38.8	31.5	3.33	35.8	30.2	3.82	32.6	28.5	4.37
	75	67	49.1	27.7	2.18	47.3	26.9	2.50	45.1	26.1	2.86	42.5	24.9	3.26	39.5	23.6	3.72	36.3	22.3	4.26



### GENERAL TERMS OF LIMITED WARRANTY

Nortek Global HVAC, LLC will furnish a replacement for any part of this product which fails in normal use and service within the terms and conditions of the warranty.

For complete details of the Limited Warranty, including applicable terms and conditions, see your local installer or contact the Nortek Global HVAC, LLC warranty department for a copy.

Before purchasing this appliance, read important energy cost and efficiency information available from your retailer. Specifications and illustrations subject to change without notice and without incurring obligations. Printed in U.S.A (05/2022).