

Submittal: GDH12(3.5)FMK4DH Flex Match Ducted Indoor Unit

- Features:**
- Inverter-driven Variable Speed Blower
 - Flared Piping Connections
 - Wireless Remote Controller Included
 - Wired Remote Controller Included
 - Built-in Condensate Lift Pump
 - Air Filters Included
 - Intelligent Pre-Heat
 - Child Lock Function
 - Configurable Return (Rear & Bottom)



Indoor Unit Data

Blower:

CFM (Max/Min):	323/176
Output (W):	49
FLA:	0.310
Capacitor Rating (µF):	3.0

Sound Pressure

Cooling dB (A) (Min/Max):	32/39
---------------------------	-------

Physical Characteristics

Net Weight (lbs):	50.715
-------------------	--------

Dimensions (in.)

W:	27.6
D:	24.2
H:	7.9

Piping Connection Size

"Liquid":	1/4"
Gas:	3/8"

Dimensions

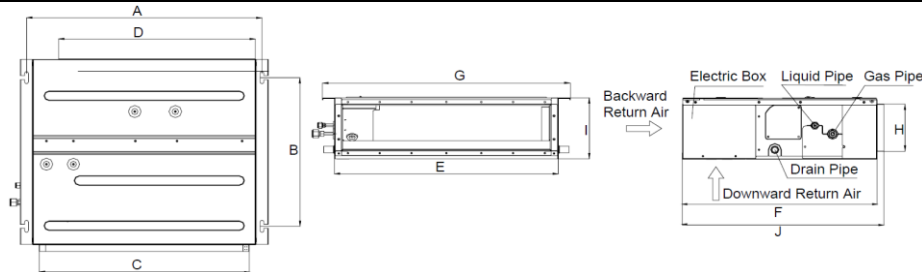
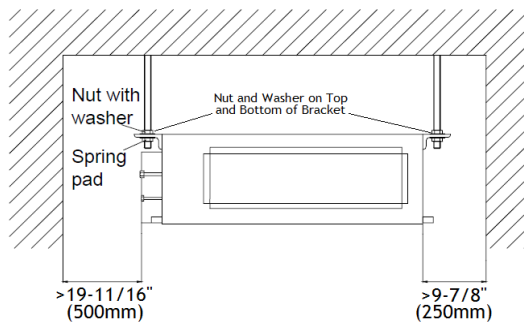


Table 1: Outline Dimensions: mm (in)

Item Model	A	B	C	D	E	F	G	H	I	J
GDH09(2.6)FMK4DH	742 (29-3/16)	491 (19-5/16)	662 (26-1/16)	620 (24-7/16)	700 (27-9/16)	615 (24-3/16)	782 (30-13/16)	156 (6-1/8)	200 (7-7/8)	635 (25)
GDH12(3.5)FMK4DH	942 (37-1/16)	491 (19-5/16)	862 (33-15/16)	820 (32-5/16)	900 (35-7/16)	615 (24-3/16)	982 (38-11/16)	156 (6-1/8)	200 (7-7/8)	635 (25)
GDH18(5.3)FMK4DH	1142 (44-15/16)	491 (19-5/16)	1062 (41-13/16)	1020 (40-3/16)	1100 (43-5/16)	615 (24-3/16)	1182 (46-9/16)	156 (6-1/8)	200 (7-7/8)	635 (25)

Clearances



Specifications & illustrations are subject to change without notice or incurring obligations.
O'Fallon, MO ©Nortek Global HVAC, LLC 2017. All Rights Reserved. 906E (6/17)

IDU SKU: 1009429