

**Submittal: GDH09(2.6)FMK4DH Flex Match Ducted Indoor Unit**

**Features:**

- Inverter-driven Variable Speed Blower
- Flared Piping Connections
- Wireless Remote Controller Included
- Wired Remote Controller Included
- Built-in Condensate Lift Pump
- Air Filters Included
- Intelligent Pre-Heat
- Child Lock Function
- Configurable Return (Rear & Bottom)



**Indoor Unit Data**

**Blower:**

CFM (Max/Min):	264/147
Output (W):	40
FLA:	0.280
Capacitor Rating (µF):	1.5

**Sound Pressure**

Cooling dB (A) (Min/Max):	31/37
---------------------------	-------

**Physical Characteristics**

Net Weight (lbs):	48.51
<b>Dimensions (in.)</b>	
W:	27.6
D:	24.2
H:	7.9

**Piping Connection Size**

"Liquid":	1/4"
Gas:	3/8"

**Dimensions**

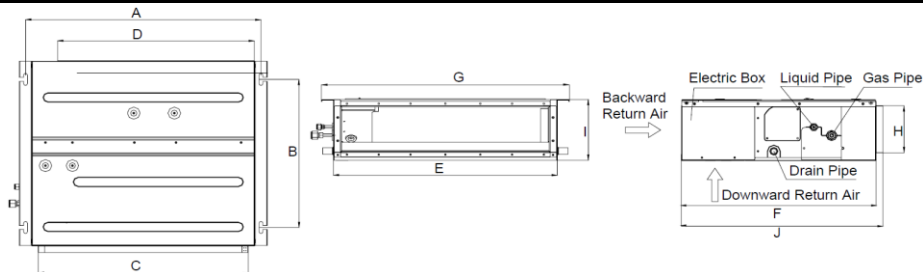
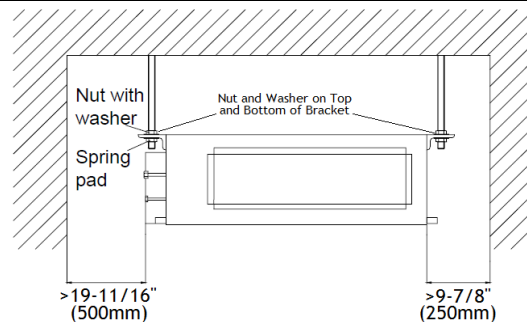


Table 1: Outline Dimensions: mm (in)

Item / Model	A	B	C	D	E	F	G	H	I	J
GDH09(2.6)FMK4DH	742 (29-3/16)	491 (19-5/16)	662 (26-1/16)	620 (24-7/16)	700 (27-9/16)	615 (24-3/16)	782 (30-13/16)	156 (6-1/8)	200 (7-7/8)	635 (25)
GDH12(3.5)FMK4DH	942 (37-1/16)	491 (19-5/16)	862 (33-15/16)	820 (32-5/16)	900 (35-7/16)	615 (24-3/16)	982 (38-11/16)	156 (6-1/8)	200 (7-7/8)	635 (25)
GDH18(5.3)FMK4DH	1142 (44-15/16)	491 (19-5/16)	1062 (41-13/16)	1020 (40-3/16)	1100 (43-5/16)	615 (24-3/16)	1182 (46-9/16)	156 (6-1/8)	200 (7-7/8)	635 (25)

**Clearances**



Specifications & illustrations are subject to change without notice or incurring obligations.  
O'Fallon, MO ©Nortek Global HVAC, LLC 2017. All Rights Reserved. 905E (6/17)

**IDU SKU: 1009428**