

Submittal:GXH36(10.6)LSK4DL	Standard Efficiency Heat Pump
------------------------------------	--------------------------------------

Job Name:	Location:	Date:
Purchaser:	Engineer:	
Submitted To:	For:	
Unit Designation:	Schedule #:	

- Features:**
- Inverter-driven Compressor and Fan
 - Flared Piping Connections
 - Wireless Remote Controller Included
 - Anti-corrosion coils
 - Intelligent defrost
 - Auto-Restart
 - Easy diagnosis
 - Limited 5-year parts & 7-year compressor warranty



SYSTEM RATINGS	
Rated Cooling Capacity (Btu):	33,600
Minimum Cooling Capacity (Btu):	7,400
Maximum Cooling Capacity (Btu):	36,000
Rated Heating Capacity (Btu):	34,600
Minimum Heating Capacity (Btu):	15,000
Maximum Heating Capacity (Btu):	36,000
SEER:	16.00
EER:	8.62
HSPF:	8.20
COP:	9.11
METERING DEVICE	
Location	ODU
Type	EEV

OUTDOOR UNIT DATA	
Compressor	
Type:	Rotary
RLA:	13.5
Fan Motor	
Output Power(W):	170
RLA:	0.89
Sound Pressure (dBA):	65
Physical Characteristics	
Net Weight (lbs):	161
Dimensions (in)	
W:	38-5/8
H:	31-1/8
D:	16-13/16

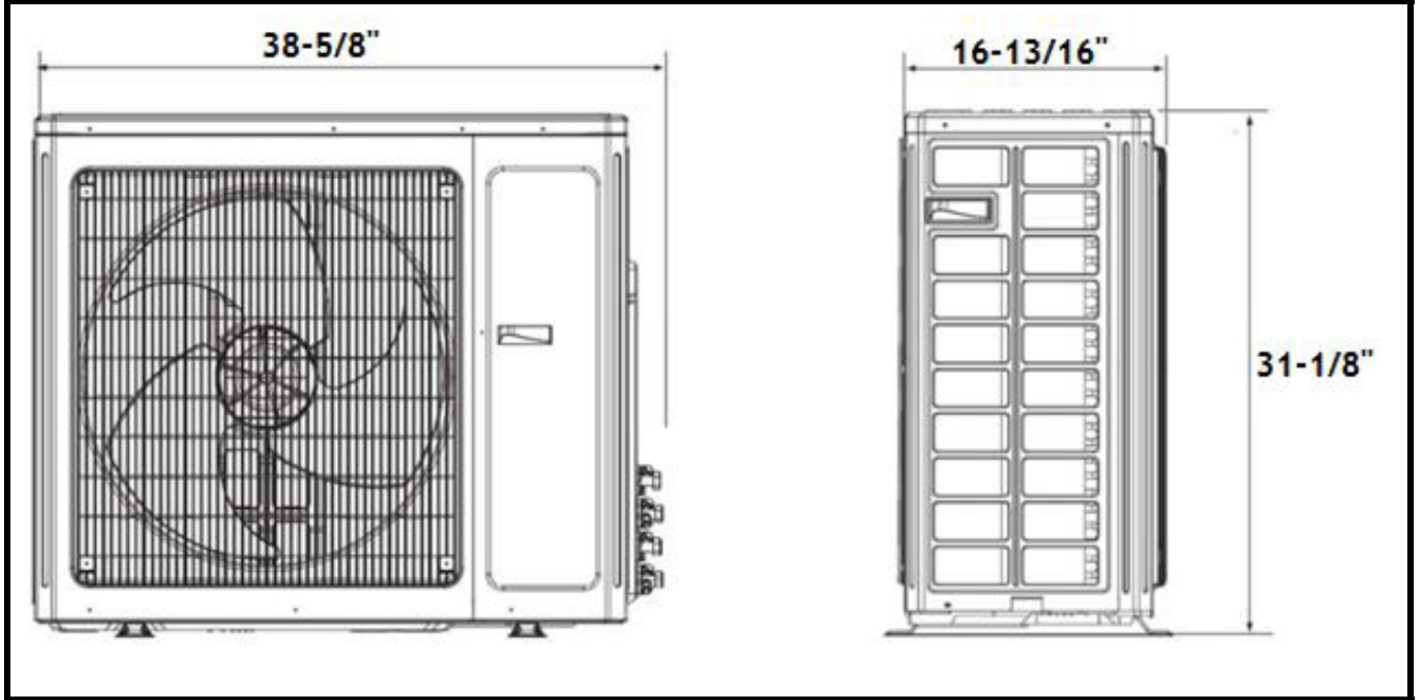
Operation Range (Outdoor Ambient)	
Cooling (Min-Max)°F:	0~109
Heating (Min-Max)°F:	5~75

Power Supply	
Voltage (Min-Max):	187/253
Minimum Circuit Ampacity (MCA):	24
Max. Overcurrent Protection (MOCP):	40

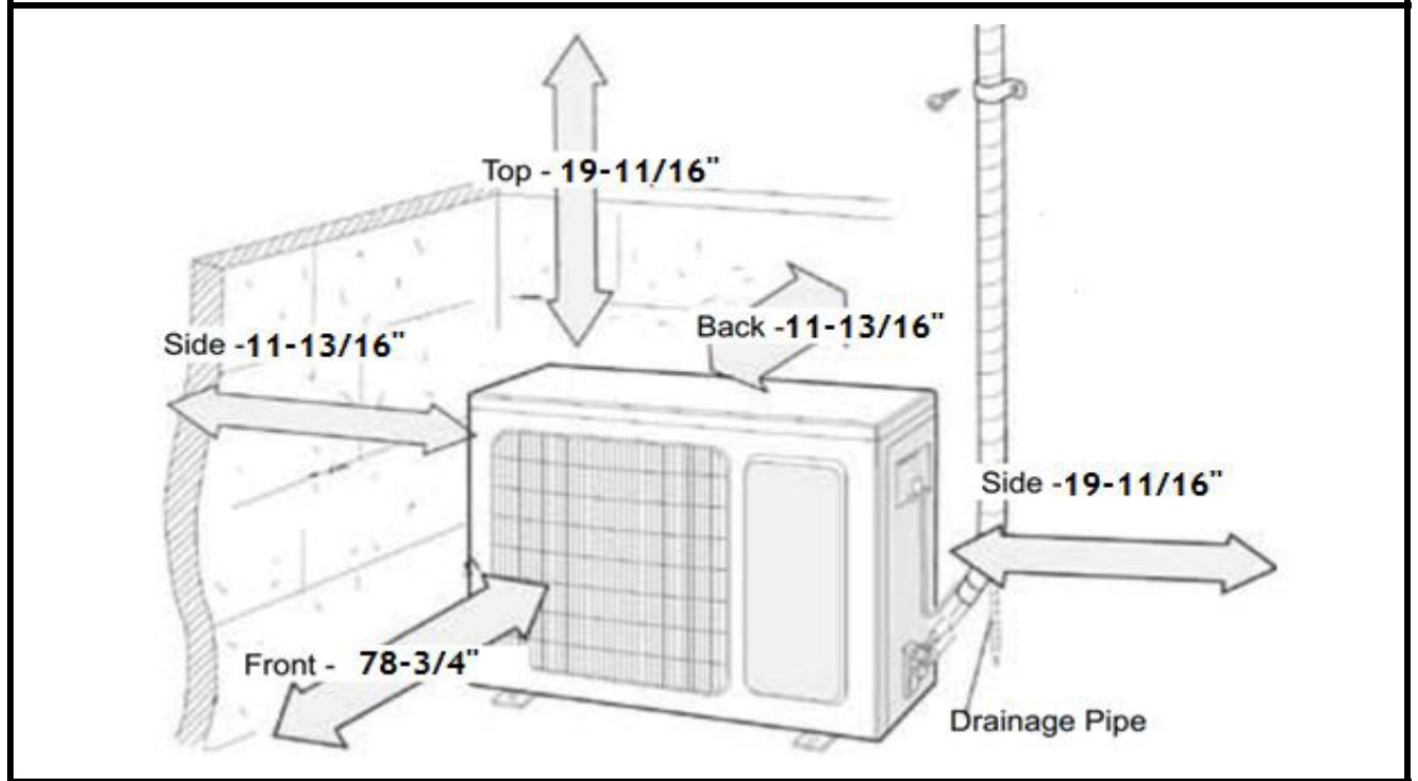
Refrigerant Piping Data	
Refrigerant Type:	R-410A
Pre-charged Amount (Oz):	91.70
Pre-Charged Length (ft):	24.6
Additional amount (Oz/ft.):	0.5
Max. Piping Length (ft):	98.4
Max. Piping Height (ft):	32.8
ODU Connection Size (Gas):	5/8"
ODU Connection Size (Liquid):	1/4"

Submittal: GXH36(10.6)LSK4DL

Outdoor Unit Dimensions



Outdoor Unit Minimum Clearances



Features:

- Inverter-driven Variable Speed Blower
- Flared Piping Connections
- Wireless Remote Controller Included
- Anti-corrosion coils
- iFeel Operation
- Air Filters Included
- Turbo Cooling
- Intelligent Preheating
- Child Lock Function



Indoor Unit Data

Blower Data

CFM (Max/Min):	736/412
Output (W):	70
RLA:	0.400
Capacitor Rating (µF):	N/A

Sound Pressure

Cooling dB (A) (Min/Max):	41/56
---------------------------	-------

Physical Characteristics

Net Weight (lbs): 41.9

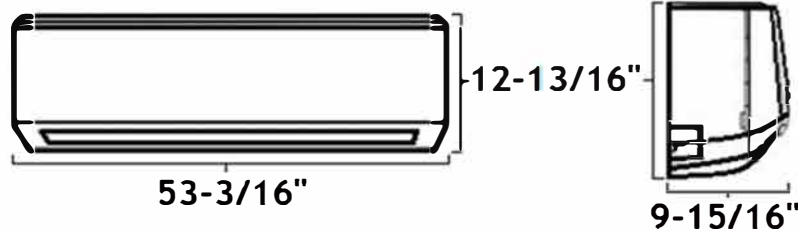
Dimensions (in.)

W: 53-3/16
H: 12-13/16
D: 9-15/16

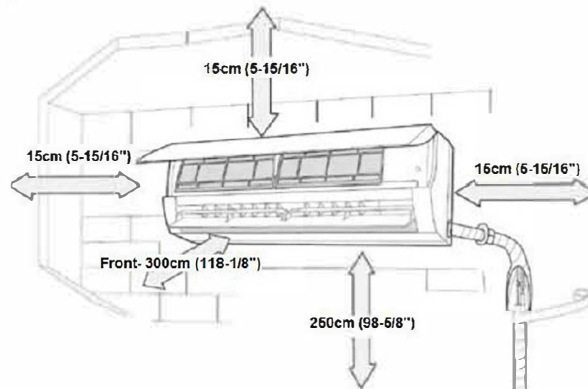
Piping Connection Size

"Liquid": 1/4"
Gas: 5/8"

Dimensions



Clearances



Specifications & illustrations are subject to change without notice or incurring obligations.
 O'Fallon, MO ©Nortek Global HVAC, LLC 2017. All Rights Reserved. 887E (6/17)

ODU SKU: 1025289
IDU SKU: 1025291