

Submission:GXH48(14.1)USV4DH **LC Floor Ceiling Heat Pump**

Job Name:	Location:	Date:
Purchaser:	Engineer:	
Submitted To:	For:	
Unit Designation:	Schedule #:	

- Features:**
- Inverter-driven Compressor and Fan
 - Flared Piping Connections
 - Wireless Remote Controller Included
 - Anti-corrosion coils
 - Intelligent defrost
 - Auto-Restart
 - Easy diagnosis
 - Limited 5-year parts & 7-year compressor warranty



SYSTEM RATINGS	
Rated Cooling Capacity (Btu):	48,000
Minimum Cooling Capacity (Btu):	20,400
Maximum Cooling Capacity (Btu):	49,500
Rated Heating Capacity (Btu):	54,500
Minimum Heating Capacity (Btu):	17,500
Maximum Heating Capacity (Btu):	58,000
SEER:	16.00
EER:	9.05
HSPF:	9.00
COP (BTU/W):	10.55
METERING DEVICE	
Location:	ODU
Type:	EEV

OUTDOOR UNIT DATA	
Compressor	Type: Inverter Rotary RLA: 32.5
Fan Motor	FLA: 2.0(x2)
Sound Pressure (dBA):	59
Physical Characteristics	Net Weight (lbs): 231.5
Dimensions (in)	W: 37-13/16" D: 16-1/8" H: 53-1/8"

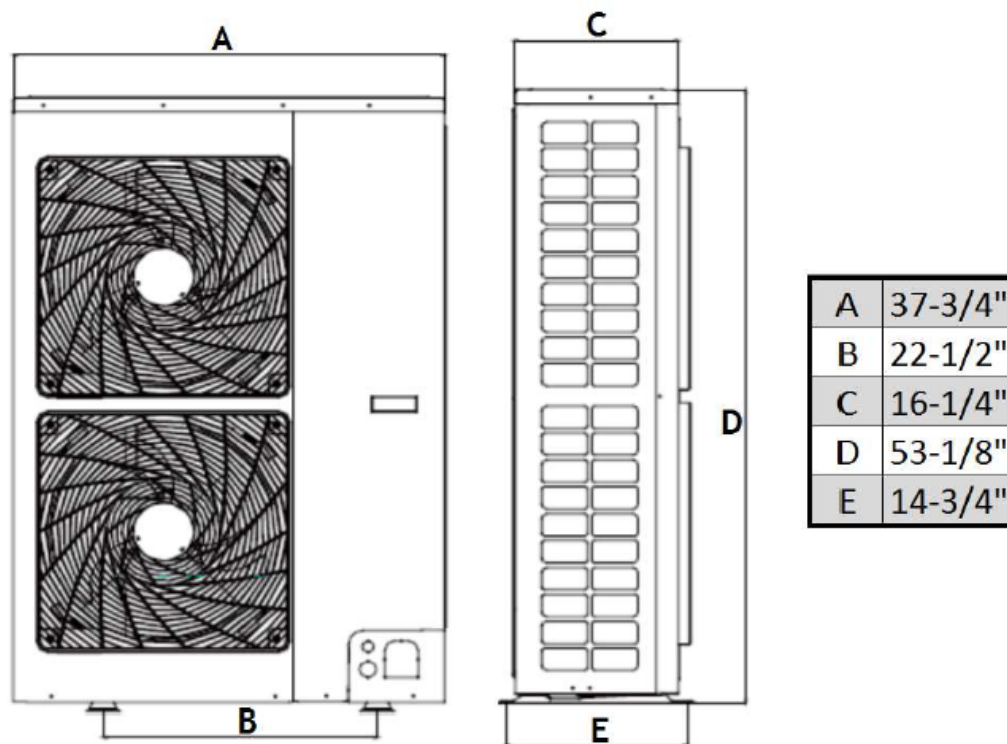
Operation Range	
Cooling (Min-Max):	0~118.4F
Heating (Min-Max):	0~75.2F

Power Supply	
Voltage (Min-Max):	187~252
Minimum Circuit Ampacity (MCA):	45
Max. Overcurrent Protection (MOCP):	70

Refrigerant Piping Data	
Refrigerant Type:	R410A
Pre-charged Amount (Oz):	141.1
Factory pre-charged for (ft):	25
Additional amount (Oz/ft.):	0.645
Max. Piping Length (ft):	229.7
Max. Piping Height (ft):	49.2
ODU Connection Size (Gas):	5/8"
ODU Connection Size (Liquid):	3/8"

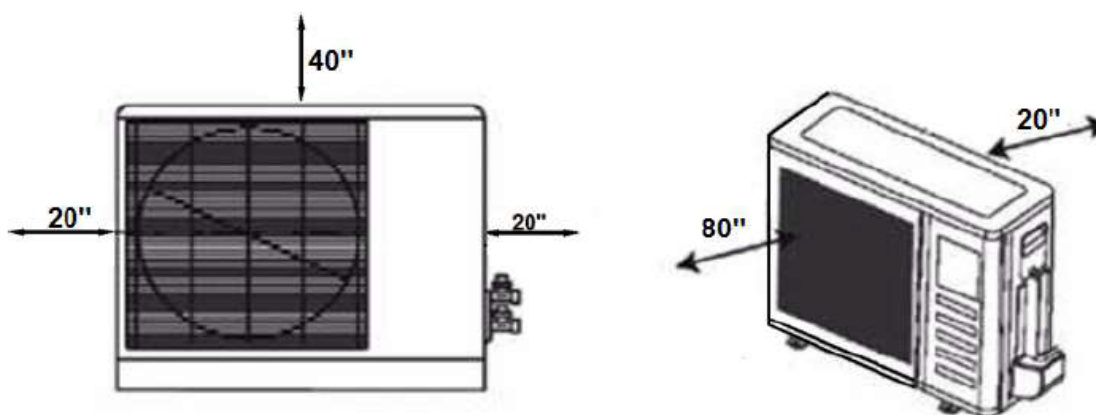
Submittal: GXH48(14.1)USV4DH

Outdoor Unit Dimensions



ODU Suction (Gas) Flared Connection Size	5/8"
ODU "Liquid" Flared Connection Size	3/8"

Outdoor Unit Minimum Clearances



Specifications are subject to change without notice.

Features:

- Inverter-driven Variable Speed Blower
- Flared Piping Connections
- Wireless Remote Controller Included
- Anti-corrosion coils
- iFeel Operation
- Air Filters Included
- Turbo Cooling
- Child Lock Function



Indoor Unit Data

Blower:

CFM (Max/Min): 1350/935

Sound Pressure:

dB (A) (Min/Max): 46/56

Electrical Data:

Voltage (Min/Max): 187/252

Minimum Circuit Ampacity (A): 1

MOCP (A): 15

Indoor unit is powered by separate circuit

Physical Characteristics:

Net Weight (lbs): 130.1

Dimensions

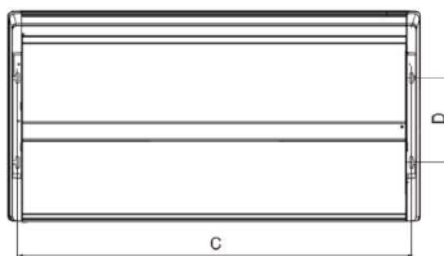
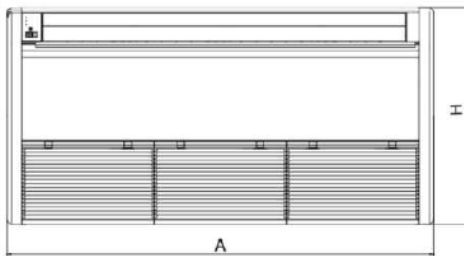
Width: 66-15/16"

Depth: 27-5/8"

Height: 9-5/8"

Drain Connection: 3/4"

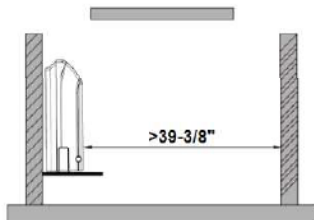
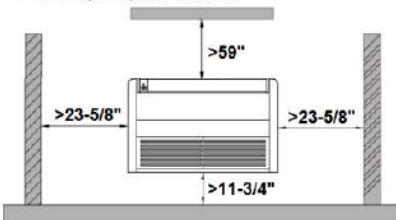
Dimensions



GFU48(14.1)USG4DH	
A	41"
B	35-7/8"
C (Hanger)	33-1/8"
D (Hanger)	31"
E	6-3/4"

Clearances

◆ Floor (Wall) Installation



◆ Ceiling Installation

