

## Submittal:GXH36(10.6)USV4DH

## U-Match Ducted Heat Pump

Job Name:	Location:	Date:
Purchaser:	Engineer:	
Submitted To:	For:	
Unit Designation:	Schedule #:	

### Features:

- Inverter-driven Compressor and Fan
- Flared Piping Connections
- Wireless Remote Controller Included
- Anti-corrosion coils
- Intelligent defrost
- Auto-Restart
- Easy diagnosis
- Limited 5-year parts & 7-year compressor



### SYSTEM RATINGS

Rated Cooling Capacity:	34,000
Minimum Cooling Capacity:	10,800
Maximum Cooling Capacity:	39,000
Rated Heating Capacity:	41,000
Minimum Heating Capacity:	9,800
Maximum Heating Capacity:	49,500
SEER:	16.00
EER:	10.35
HSPF:	9.00
COP:	10.90

### OUTDOOR UNIT DATA

#### Compressor

Type:	Inverter Rotary
RLA:	21.2

#### Fan Motor

FLA:	2
------	---

#### Sound Pressure

Cooling:	63
Heating:	63

#### Physical Characteristics

##### Dimensions

Width:	43-1/2"
Height:	43-5/16"
Depth:	17-5/16"

Weight (Net lbs)	205.1
------------------	-------

### Operation Range

Cooling (Min-Max):	0~118.4F
Heating (Min-Max):	0~75.2F

### Power Supply

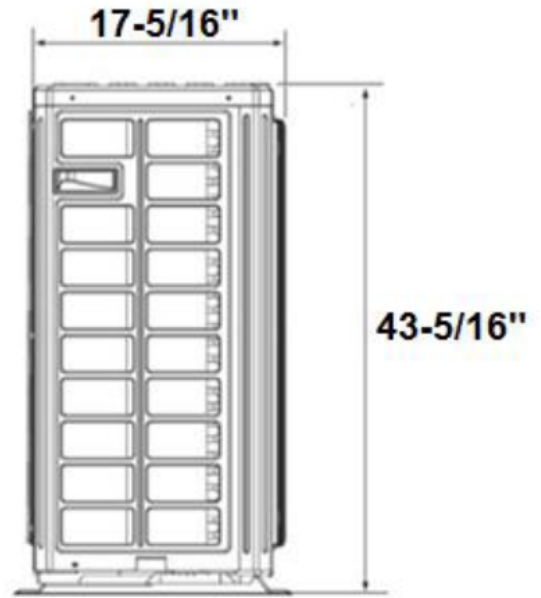
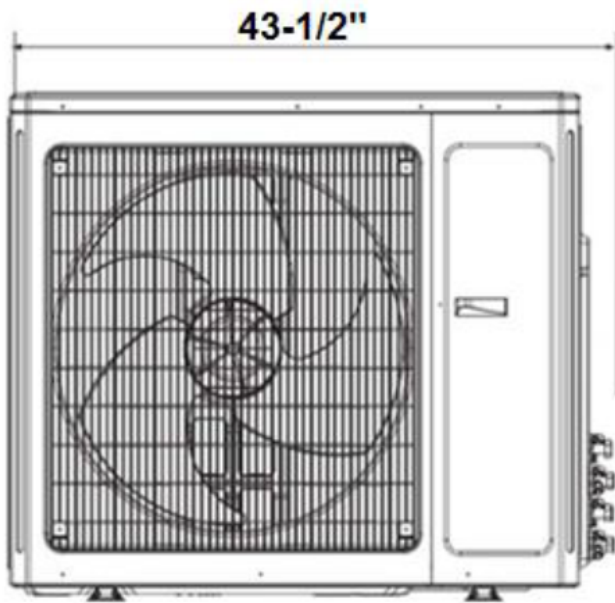
Voltage (Min-Max):	187~252
Minimum Circuit Ampacity (MCA):	29
Max. Overcurrent Protection (MOCP):	45

### Refrigerant Piping Data

Refrigerant Type:	R410A
Pre-charged Amount (Oz):	123.5
Factory pre-charged for (ft):	25
Additional amount (Oz/ft.):	0.645
Max. Piping Length (ft):	164
Max. Piping Height (ft):	49.2
ODU Connection Size (Gas):	5/8"
ODU Connection Size (Liquid):	3/8"

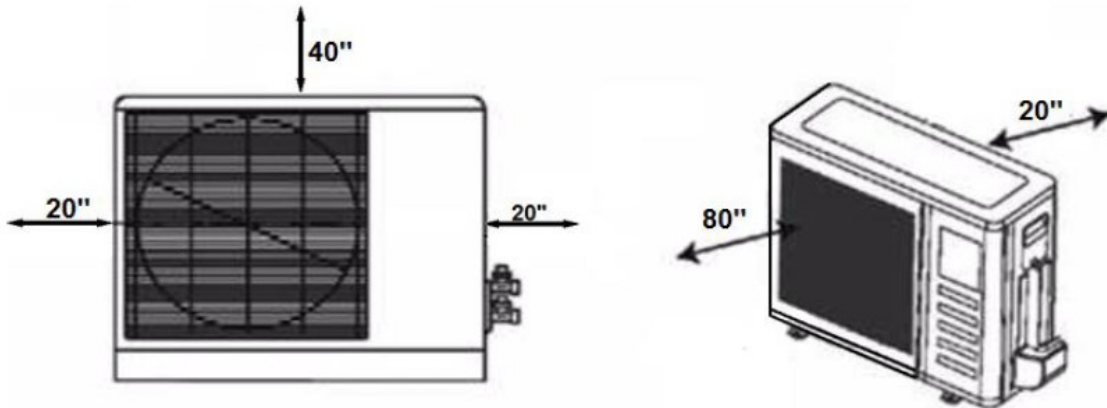
# Submittal: GXH36(10.6)USV4DH

## Outdoor Unit Dimensions



<b>ODU Suction (Gas) Flared Connection Size</b>	<b>5/8"</b>
<b>ODU "Liquid" Flared Connection Size</b>	<b>3/8"</b>

## Outdoor Unit Minimum Clearances



*Specifications are subject to change without notice.*

**Features:**

- Inverter-driven Variable Speed Blower
- Flared Piping Connections
- Wireless Remote Controller Included
- Anti-corrosion coils
- iFeel Operation
- Air Filters Included
- Turbo Cooling
- Child Lock Function



**Indoor Unit Data**

**Blower:**

CFM (Max)	1175
ESP Rated/Max	0.148/0.4
Output (W):	20
FLA:	2.1
Capacitor Rating (µF):	N/A

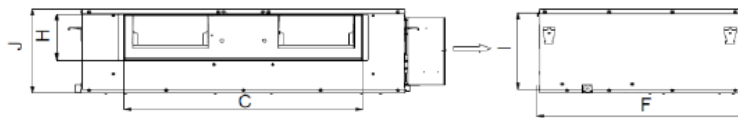
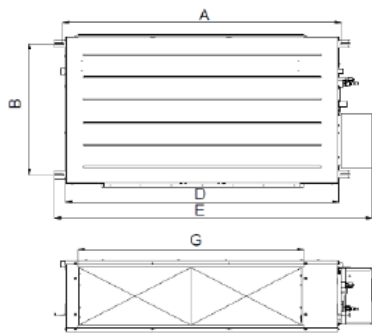
**Physical Characteristics:**

Net Weight (lbs):	101.43
Dimensions (WxDxH):	48.2x30.5x11.4
Drain Connection:	3/4"

**Sound Pressure**

Cooling dB (A) (Min/Max):	44/52
Heating dB (A) (Min Max):	44/53

**Dimensions**



GDU36(10.6)USV4DH	
A	39-3/4
B	29-1/2
C	32-1/4
D	43-7/8
E	48-1/4
F	30-1/2
G	38-1/2
H	6-1/4
I	9-1/8
J	11-3/8

**Clearances**

