

WSH2BF Series

16 SEER, Up to 9.0 HSPF High Efficiency Heat Pump 2 - 5 Ton Capacities

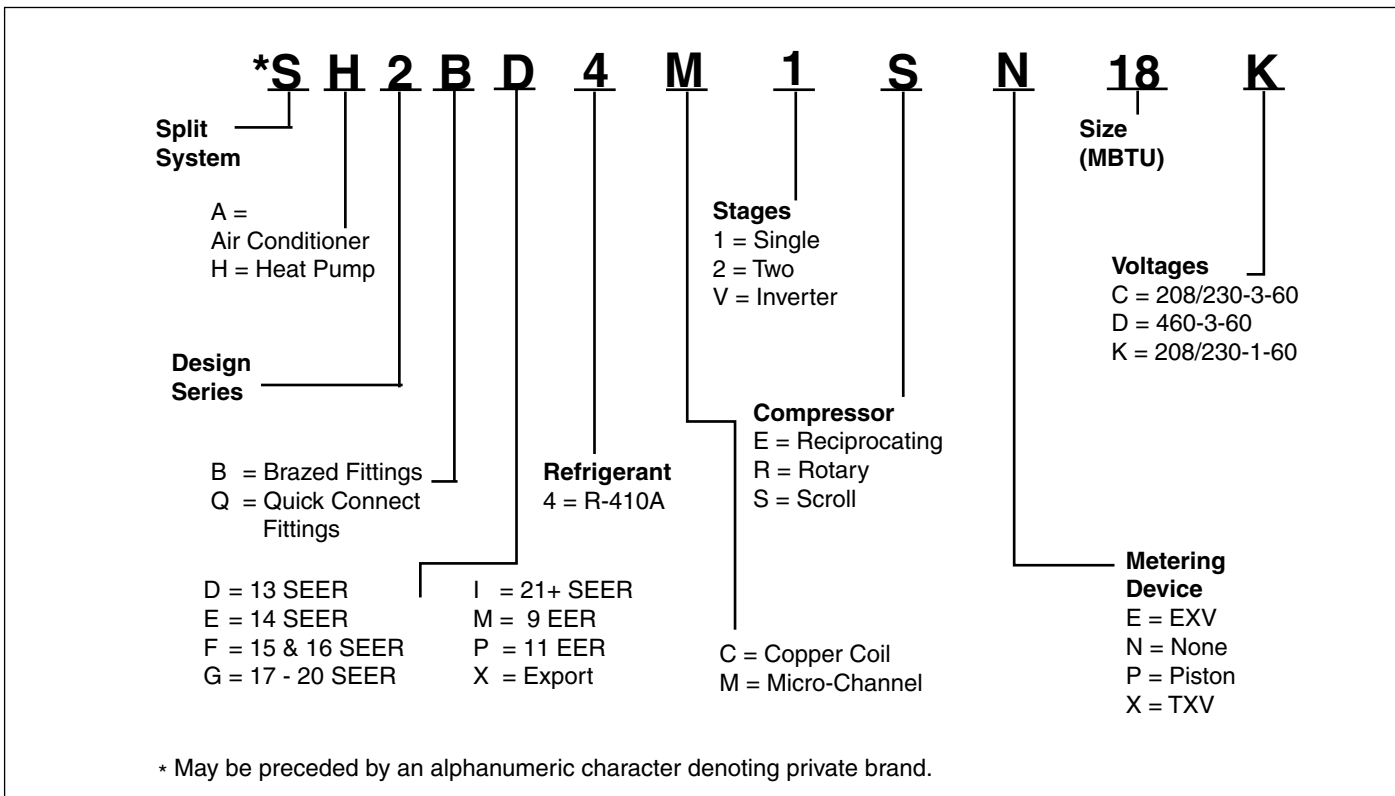
The WSH2BF Series heat pump, when combined with our engineered coils or air handlers, offers a full line of quality, split system heating and cooling equipment. Units are ideally sized for slab or rooftop mounting in light commercial applications.



FEATURES and BENEFITS

- **2 - 4 Ton Units Copeland Scroll™ Compressor:** Proven and simple design equates to years of comfort and reliability for the homeowner with virtually silent operation.
- **5 Ton Unit Copeland Scroll™ UltraTech™ Compressor:** Operates with 2 stages of cooling capacity to provide superior comfort and efficiency. Copeland's proven and simple design equates to years of comfort and reliability for the homeowner with virtually silent operation.
- **Full Service Valves:** These brass valves are easily accessible and simplify servicing of the refrigeration system.
- **Designed Using Galvanized Steel:** With a polyester urethane coat finish that passes 950 hours of salt spray per ASTM Std. B117.
- **Composite Base Pan:** Absorbs sound and is corrosion resistant. Composite is also stronger and lighter than steel.
- **Permanently Lubricated Motor:** A heavy duty PSC motor for long lasting reliability and quiet operation. Requires no maintenance and is completely protected from rain and snow.
- **Removable Top Grille Assembly:** Allows ease of service from the top without disconnecting fan motor leads.
- **High Pressure Switch:** Protects against abnormally high system pressures. Auto-reset feature prevents nuisance service visits.
- **Liquid Line Filter / Drier:** Included with unit, field installed.
- **One-Piece Top/Orifice:** Designed for maximum airflow and quiet operation.
- **Easy Compressor and Control Access:** Designed to make servicing easier for the contractor, access panels are provided to all controls and the compressor from the side of the unit.
- **All-Aluminum Coils:** Aluminum coils in all models which provides high corrosion resistance.
- **Powder Coated Wire Guard and Mesh Hail Guard:** Will never rust and protects the coil from being damaged by balls, lawnmowers, hail, etc.

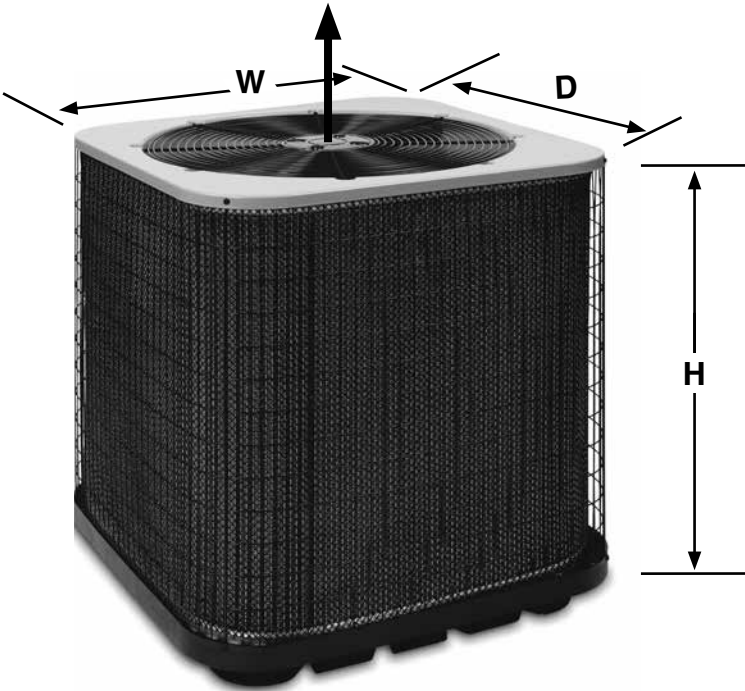
MODEL IDENTIFICATION CODES



DIMENSIONS
HEAT PUMP OUTDOOR SECTION

WSH2BF	24K	30K	36K	42K	48K	60K
H	37 1/4"	37 1/4"	45 1/4"	45 1/4"	45 1/4"	45 1/4"
W	30 3/4"	30 3/4"	30 3/4"	30 3/4"	30 3/4"	30 3/4"
D	30 3/4"	30 3/4"	30 3/4"	30 3/4"	30 3/4"	30 3/4"

Air Discharge
Allow Adequate Clearance for Airflow



PHYSICAL AND ELECTRICAL SPECIFICATIONS / OUTDOOR UNITS

16 SEER — High Efficiency

Model Number WSH2BF4M		1SN24K	1SN30K	1SN36K	1SN42K	1SN48K	2SN60K
Electrical Data	Volts-Cycles-Phase (1)	208/230-60-1					
	Delay Fuse Max. (2)	30	25	30	40	40	60
	Min. Circuit Ampacity	17.7	16.9	20.2	25.0	25.1	38.6
	Fan Motor	HP	1/8	1/8	1/3	1/3	1/3
Refrigerant Suction Line O.D.* NOTE: Liquid line is 3/8" O.D. for entire length.	0-24 ft.	3/4"	3/4"	7/8"	7/8"	7/8"	7/8"
	25-39 ft.	3/4"	3/4"	7/8"	7/8"	7/8"	1-1/8" (3)
	40-75 ft.	3/4"	3/4"	7/8"	7/8"	7/8"	1-1/8" (3)
Approximate Weight (lbs.)	Net	141	149	155	190	195	211
	Ship	164	172	180	215	220	236
Sound Rating dBA		71	71	73	74	74	78

(1) Operating Voltage Range: 187v min. - 253v max.

(2) HACR Type Circuit Breakers may be used.

(3) Requires 7/8" to 1-1/8" reducer from line to unit.

ACCESSORIES

Low Ambient Kit	918837
Low Pressure Switch	913551
Fan Delay Kit	918476
High Wind Kit	920900

16 SEER COOLING EXPANDED RATINGS

Outdoor Unit	Indoor Unit	BTUH	SEER	EER	Heating Capacity BTUH @ 47° F	HSPF	Low Speed SCFM	High Speed SCFM
WSH2BF4M1SP24K	B6VMMX24K-B	24,000	16.0	13.0	22,800	9.0	N/A	900
WSH2BF4M1SP30K	B6VMMX30K-B	28,600	16.0	13.0	28,400	9.0	N/A	1,090
WSH2BF4M1SP36K	B6VMMX36K-B	34,200	16.0	13.0	33,800	9.0	N/A	1,230
WSH2BF4M1SP42K	B6VMMX48K-C	40,500	16.0	13.0	40,500	9.0	N/A	1,315
WSH2BF4M1SP48K	B6VMMX48K-C	45,500	16.0	13.0	45,000	9.0	N/A	1,420
WSH2BF4M2SX60K	B6VMMX60K-C	55,000	16.0	11.5	55,000	8.5	1,280	1,835

All ratings are with time delay relay.

See current AHRI Directory for certified combinations and ratings.

www.ahridirectory.org

COOLING EXPANDED RATINGS

WSH2BF4M1SP24K with B6VMMX24K-B

CFM	O.D.T		65°F			75°F			85°F			95°F			105°F			115°F		
	E.D.B.	E.W.B.	T.C.	S.C.	K.W.	T.C.	S.C.	K.W.	T.C.	S.C.	K.W.	T.C.	S.C.	K.W.	T.C.	S.C.	K.W.	T.C.	S.C.	K.W.
800	80	62	25.1	22.0	1.24	24.1	21.3	1.37	23.0	20.7	1.54	21.7	20.0	1.75	20.2	19.4	1.99	18.6	18.6	2.27
	80	67	27.7	19.0	1.24	26.7	18.3	1.37	25.6	17.7	1.54	24.3	17.0	1.75	22.9	16.4	1.99	21.3	15.7	2.27
	80	72	29.3	14.9	1.24	28.3	14.2	1.37	27.2	13.6	1.54	25.9	13.0	1.75	24.5	12.3	1.99	22.8	11.7	2.27
	75	62	24.8	18.8	1.24	23.9	18.1	1.37	22.7	17.5	1.54	21.5	16.8	1.75	20.0	16.2	1.99	18.4	15.5	2.27
900	80	62	25.5	23.3	1.27	24.5	22.6	1.40	23.4	22.0	1.57	22.1	21.3	1.78	20.7	20.7	2.02	19.0	19.0	2.30
	80	67	28.1	20.3	1.27	27.2	19.6	1.40	26.0	19.0	1.57	24.8	18.3	1.78	23.3	17.7	2.02	21.7	17.1	2.30
	80	72	29.7	16.2	1.27	28.7	15.6	1.40	27.6	14.9	1.57	26.3	14.3	1.78	24.9	13.6	2.02	23.3	13.0	2.30
	75	62	25.3	20.1	1.26	24.3	19.4	1.40	23.2	18.8	1.57	21.9	18.1	1.77	20.4	17.5	2.02	18.8	16.8	2.30
1000	80	62	26.0	23.9	1.29	25.1	23.3	1.43	23.9	22.7	1.60	22.6	22.0	1.80	21.2	21.2	2.05	19.6	19.6	2.33
	80	67	28.7	21.0	1.29	27.7	20.3	1.43	26.6	19.7	1.60	25.3	19.0	1.80	23.8	18.4	2.05	22.2	17.7	2.33
	80	72	30.2	16.9	1.29	29.3	16.2	1.43	28.2	15.6	1.60	26.9	14.9	1.80	25.4	14.3	2.05	23.8	13.7	2.33
	75	62	25.8	20.7	1.29	24.8	20.1	1.42	23.7	19.5	1.59	22.4	18.8	1.80	21.0	18.2	2.04	19.3	17.5	2.32

WSH2BF4M1SP30K with B6VMMX30K-B

CFM	O.D.T		65°F			75°F			85°F			95°F			105°F			115°F		
	E.D.B.	E.W.B.	T.C.	S.C.	K.W.	T.C.	S.C.	K.W.	T.C.	S.C.	K.W.	T.C.	S.C.	K.W.	T.C.	S.C.	K.W.	T.C.	S.C.	K.W.
875	80	62	29.1	24.8	1.48	28.2	24.2	1.63	27.0	23.6	1.83	25.6	22.9	2.08	23.9	22.1	2.38	22.0	21.2	2.73
	80	67	31.8	21.1	1.49	30.9	20.6	1.64	29.8	19.9	1.84	28.3	19.2	2.09	26.6	18.4	2.39	24.7	17.6	2.73
	80	72	33.4	16.4	1.49	32.5	15.8	1.65	31.4	15.1	1.85	29.9	14.4	2.09	28.3	13.6	2.39	26.3	12.8	2.74
	75	62	28.5	20.9	1.48	27.6	20.3	1.63	26.5	19.7	1.83	25.1	19.0	2.08	23.4	18.2	2.38	21.4	17.3	2.73
1000	80	62	29.3	26.3	1.53	28.4	25.7	1.68	27.3	25.0	1.88	25.8	24.3	2.13	24.2	23.5	2.43	22.2	22.2	2.77
	80	67	32.0	22.6	1.53	31.1	22.0	1.68	30.0	21.4	1.88	28.6	20.6	2.13	26.9	19.9	2.43	24.9	19.0	2.78
	80	72	33.6	17.8	1.54	32.7	17.2	1.69	31.6	16.6	1.89	30.2	15.9	2.14	28.5	15.1	2.44	26.5	14.2	2.78
	75	62	28.7	22.4	1.53	27.9	21.8	1.68	26.7	21.2	1.88	25.3	20.4	2.13	23.6	19.7	2.43	21.6	18.8	2.77
1125	80	62	31.2	27.6	1.57	30.3	27.0	1.72	29.2	26.4	1.92	27.7	25.7	2.17	26.0	24.9	2.47	24.1	24.0	2.82
	80	67	33.9	24.0	1.58	33.0	23.4	1.73	31.9	22.7	1.93	30.4	22.0	2.18	28.8	21.2	2.48	26.8	20.4	2.82
	80	72	35.5	19.2	1.58	34.6	18.6	1.74	33.5	17.9	1.94	32.1	17.2	2.18	30.4	16.4	2.48	28.4	15.6	2.83
	75	62	30.6	23.8	1.57	29.8	23.2	1.72	28.6	22.5	1.92	27.2	21.8	2.17	25.5	21.0	2.47	23.5	20.2	2.82

WSH2BF4M1SP36K with B6VMMX36K-B

CFM	O.D.T		65°F			75°F			85°F			95°F			105°F			115°F		
	E.D.B.	E.W.B.	T.C.	S.C.	K.W.	T.C.	S.C.	K.W.	T.C.	S.C.	K.W.	T.C.	S.C.	K.W.	T.C.	S.C.	K.W.	T.C.	S.C.	K.W.
1050	80	62	35.4	30.8	1.81	34.2	30.0	1.99	32.6	29.2	2.22	30.8	28.4	2.49	28.8	27.6	2.80	26.5	26.5	3.16
	80	67	38.7	25.8	1.82	37.4	25.0	2.01	35.9	24.2	2.23	34.1	23.4	2.50	32.0	22.6	2.82	29.7	21.7	3.18
	80	72	41.6	20.4	1.84	40.3	19.6	2.02	38.8	18.8	2.25	37.0	18.0	2.52	34.9	17.2	2.83	32.6	16.4	3.19
	75	62	35.3	26.0	1.81	34.0	25.2	1.99	32.5	24.4	2.22	30.7	23.6	2.49	28.6	22.8	2.81	26.3	22.0	3.17
1200	80	62	35.8	32.5	1.88	34.5	31.7	2.06	33.0	31.0	2.29	31.2	30.1	2.56	29.1	29.1	2.88	26.8	26.8	3.23
	80	67	39.0	27.5	1.90	37.7	26.7	2.08	36.2	25.9	2.31	34.4	25.1	2.58	32.3	24.3	2.89	30.0	23.5	3.25
	80	72	41.9	22.1	1.91	40.7	21.4	2.09	39.1	20.6	2.32	37.3	19.8	2.59	35.3	18.9	2.91	32.9	18.1	3.27
	75	62	35.7	27.7	1.88	34.4	26.9	2.07	32.8	26.1	2.30	31.0	25.3	2.57	29.0	24.5	2.88	26.7	23.7	3.24
1350	80	62	36.8	33.4	1.95	35.5	32.6	2.14	34.0	31.8	2.36	32.2	31.0	2.63	30.1	30.1	2.95	27.8	27.8	3.31
	80	67	40.0	28.4	1.97	38.8	27.6	2.15	37.2	26.8	2.38	35.4	26.0	2.65	33.4	25.2	2.96	31.0	24.4	3.32
	80	72	42.9	23.0	1.98	41.7	22.2	2.17	40.1	21.5	2.40	38.3	20.6	2.67	36.3	19.8	2.98	34.0	19.0	3.34
	75	62	36.7	28.6	1.96	35.4	27.8	2.14	33.9	27.0	2.37	32.1	26.2	2.64	30.0	25.4	2.95	27.7	24.6	3.31

COOLING EXPANDED RATINGS (Continued)

WSH2BF4M1SP42K with B6VMMX42K-B

O.D.T			65°F			75°F			85°F			95°F			105°F			115°F		
CFM	E.D.B.	E.W.B.	T.C.	S.C.	K.W.	T.C.	S.C.	K.W.	T.C.	S.C.	K.W.	T.C.	S.C.	K.W.	T.C.	S.C.	K.W.	T.C.	S.C.	K.W.
1225	80	62	42.9	36.9	2.21	41.2	35.9	2.44	39.3	34.8	2.72	37.0	33.7	3.05	34.5	32.6	3.43	31.7	31.4	3.86
	80	67	47.2	31.3	2.21	45.5	30.3	2.44	43.5	29.2	2.72	41.3	28.1	3.05	38.8	26.9	3.43	36.0	25.8	3.86
	80	72	50.3	24.5	2.21	48.6	23.5	2.44	46.7	22.4	2.72	44.4	21.3	3.05	41.9	20.2	3.43	39.1	19.0	3.86
	75	62	42.6	31.2	2.21	40.9	30.2	2.44	38.9	29.1	2.72	36.7	28.0	3.05	34.2	26.9	3.43	31.4	25.7	3.86
1400	80	62	43.4	39.0	2.28	41.7	37.9	2.52	39.7	36.9	2.80	37.5	35.8	3.13	34.9	34.6	3.51	32.1	32.1	3.94
	80	67	47.6	33.4	2.28	45.9	32.3	2.51	44.0	31.3	2.79	41.7	30.1	3.12	39.2	29.0	3.50	36.4	27.9	3.93
	80	72	50.7	26.6	2.28	49.0	25.6	2.51	47.1	24.5	2.79	44.8	23.4	3.12	42.3	22.3	3.50	39.5	21.1	3.93
	75	62	43.0	33.3	2.28	41.3	32.3	2.51	39.3	31.2	2.79	37.1	30.1	3.12	34.6	29.0	3.50	31.8	27.8	3.93
1575	80	62	44.9	40.4	2.36	43.3	39.3	2.59	41.3	38.2	2.87	39.0	37.1	3.20	36.5	36.0	3.58	33.7	33.7	4.01
	80	67	49.2	34.8	2.36	47.5	33.7	2.59	45.6	32.6	2.87	43.3	31.5	3.20	40.8	30.4	3.58	38.0	29.3	4.01
	80	72	52.3	28.0	2.35	50.6	26.9	2.58	48.7	25.9	2.86	46.4	24.8	3.20	43.9	23.6	3.58	41.1	22.5	4.01
	75	62	44.6	34.7	2.35	42.9	33.6	2.58	40.9	32.6	2.86	38.7	31.5	3.20	36.2	30.3	3.58	33.4	29.2	4.01

WSH2BF4M1SP48K with B6VMMX48K-B

ODT			65°F			75°F			85°F			95°F			105°F			115°F		
CFM	E.D.B.	E.W.B.	T.C.	S.C.	K.W.	T.C.	S.C.	K.W.	T.C.	S.C.	K.W.	T.C.	S.C.	K.W.	T.C.	S.C.	K.W.	T.C.	S.C.	K.W.
1235	80	62	47.1	38.9	2.40	45.0	37.8	2.64	42.7	36.7	2.95	40.3	35.6	3.32	37.7	34.4	3.76	34.9	33.2	4.26
	80	67	52.0	33.0	2.42	49.9	31.9	2.66	47.6	30.8	2.97	45.2	29.7	3.34	42.6	28.5	3.78	39.9	27.3	4.28
	80	72	55.6	25.8	2.44	53.5	24.7	2.68	51.2	23.6	2.99	48.8	22.5	3.36	46.2	21.3	3.80	43.5	20.1	4.30
	75	62	47.3	33.0	2.40	45.2	31.9	2.65	43.0	30.8	2.95	40.5	29.7	3.33	37.9	28.5	3.76	35.2	27.2	4.26
1435	80	62	47.4	41.4	2.48	45.3	40.3	2.73	43.1	39.2	3.03	40.6	38.1	3.41	38.0	36.9	3.84	35.3	35.3	4.34
	80	67	52.3	35.4	2.50	50.2	34.4	2.75	48.0	33.3	3.05	45.5	32.2	3.43	42.9	31.0	3.86	40.2	29.7	4.36
	80	72	56.0	28.3	2.52	53.9	27.2	2.77	51.6	26.1	3.07	49.2	25.0	3.45	46.6	23.8	3.88	43.8	22.6	4.38
	75	62	47.7	35.4	2.49	45.6	34.4	2.73	43.3	33.3	3.04	40.9	32.2	3.41	38.3	31.0	3.85	35.5	29.7	4.35
1635	80	62	48.6	43.0	2.57	46.5	41.9	2.81	44.2	40.8	3.12	41.8	39.7	3.49	39.2	38.5	3.93	36.5	36.5	4.43
	80	67	53.5	37.1	2.59	51.4	36.0	2.83	49.1	34.9	3.14	46.7	33.8	3.51	44.1	32.6	3.94	41.4	31.3	4.45
	80	72	57.1	29.9	2.61	55.0	28.8	2.85	52.7	27.7	3.16	50.3	26.6	3.53	47.7	25.4	3.96	45.0	24.2	4.46
	75	62	48.8	37.0	2.57	46.7	36.0	2.81	44.5	34.9	3.12	42.0	33.8	3.49	39.4	32.6	3.93	36.7	31.3	4.43

COOLING EXPANDED RATINGS WITH VARIABLE SPEED AIR HANDLER

WSH2BF4M2SX60K with B6VMMX60K-C HIGH SPEED

O.D.T			65°F			75°F			85°F			95°F			105°F			115°F		
CFM	E.D.B.	E.W.B.	T.C.	S.C.	K.W.	T.C.	S.C.	K.W.	T.C.	S.C.	K.W.	T.C.	S.C.	K.W.	T.C.	S.C.	K.W.	T.C.	S.C.	K.W.
1685	80	62	56.7	43.3	3.55	54.6	43.0	3.85	52.3	43.2	4.19	49.9	42.5	4.58	47.54	46.39	5.04	44.78	43.70	5.55
	80	67	61.9	35.9	3.62	59.4	35.6	3.91	56.9	36.0	4.25	54.3	35.3	4.64	51.48	34.74	5.09	48.40	32.53	5.61
	80	72	68.4	27.9	3.70	65.7	27.7	3.99	62.9	28.3	4.33	59.9	27.8	4.72	56.73	27.39	5.18	53.22	28.10	5.69
	75	62	56.5	36.3	3.55	54.3	36.0	3.84	52.0	36.2	4.18	49.6	35.5	4.58	47.00	32.77	5.03	44.16	35.13	5.54
	75	67	62.3	28.6	3.62	59.9	28.4	3.91	57.3	28.8	4.25	54.5	28.2	4.64	51.63	26.00	5.10	48.35	28.27	5.61
1835	80	62	57.7	45.2	3.62	55.4	46.1	3.91	53.3	46.7	4.25	50.8	46.3	4.64	48.26	46.33	5.10	46.10	45.71	5.62
	80	67	62.8	37.2	3.68	60.3	38.3	3.97	57.8	37.3	4.31	55.0	36.9	4.70	52.13	36.96	5.16	48.97	36.91	5.67
	80	72	69.3	28.8	3.76	66.5	30.1	4.05	63.6	29.2	4.39	60.5	29.0	4.78	57.12	29.26	5.23	53.46	29.48	5.75
	75	62	57.4	37.7	3.61	55.1	38.6	3.90	52.8	37.6	4.24	50.3	37.1	4.64	47.59	37.03	5.09	44.67	36.84	5.60
	75	67	63.2	29.5	3.68	60.6	30.7	3.97	57.9	29.8	4.31	55.1	29.5	4.70	51.90	29.55	5.15	48.55	29.55	5.66
1985	80	62	58.8	49.5	3.68	56.4	49.8	3.97	54.1	48.9	4.31	51.6	48.8	4.71	49.61	47.93	5.17	47.02	46.82	5.69
	80	67	63.7	39.2	3.74	61.1	39.7	4.03	58.4	38.7	4.37	55.7	38.5	4.76	52.65	38.26	5.22	49.42	38.41	5.73
	80	72	70.1	30.3	3.82	67.1	31.0	4.11	64.1	30.1	4.45	60.9	30.2	4.84	57.33	30.17	5.29	53.50	30.51	5.80
	75	62	58.2	39.6	3.67	55.8	39.9	3.96	53.4	38.9	4.30	50.8	38.7	4.70	48.08	38.34	5.15	45.06	38.32	5.66
	75	67	63.8	31.1	3.74	61.1	31.6	4.03	58.4	30.7	4.37	55.3	30.6	4.76	52.16	30.37	5.21	48.92	30.52	5.72

COOLING EXPANDED RATINGS WITH VARIABLE SPEED AIR HANDLER (Continued)

WSH2BF4M2SX60K with B6VMMX60K-C LOW SPEED

ODT			65°F			75°F			85°F			95°F			105°F			115°F		
CFM	E.D.B.	E.W.B.	T.C.	S.C.	K.W.	T.C.	S.C.	K.W.	T.C.	S.C.	K.W.	T.C.	S.C.	K.W.	T.C.	S.C.	K.W.	T.C.	S.C.	K.W.
1030	80	62	41.1	30.5	2.12	39.5	30.3	2.41	37.8	30.4	2.74	35.9	29.9	3.11	33.99	32.18	3.53	31.76	30.06	4.01
	80	67	45.4	25.4	2.08	43.5	25.2	2.38	41.5	25.5	2.71	39.4	25.0	3.08	37.20	24.57	3.50	34.77	22.65	3.98
	80	72	50.1	20.0	2.05	48.1	19.9	2.34	46.0	20.3	2.67	43.7	19.8	3.04	41.35	19.48	3.47	38.68	19.92	3.95
	75	62	41.0	25.7	2.12	39.3	25.5	2.41	37.6	25.6	2.74	35.7	25.1	3.11	33.62	22.90	3.53	31.35	24.63	4.01
	75	67	45.5	20.5	2.08	43.6	20.3	2.38	41.7	20.6	2.71	39.6	20.1	3.08	37.39	18.35	3.50	34.91	19.94	3.98
1180	80	62	42.5	32.9	2.13	40.9	34.3	2.42	39.1	33.5	2.75	37.1	33.2	3.12	35.03	33.08	3.54	33.02	32.74	4.02
	80	67	46.6	27.2	2.10	44.6	28.0	2.39	42.6	27.3	2.72	40.5	26.9	3.10	38.13	26.88	3.52	35.61	26.77	4.00
	80	72	51.6	21.1	2.06	49.4	22.1	2.35	47.2	21.4	2.69	44.8	21.2	3.06	42.28	21.31	3.48	39.48	21.40	3.96
	75	62	42.2	27.5	2.13	40.5	28.1	2.43	38.7	27.4	2.76	36.7	27.0	3.13	34.56	26.84	3.55	32.18	26.61	4.03
	75	67	46.8	21.6	2.10	44.9	22.4	2.39	42.8	21.7	2.72	40.6	21.4	3.09	38.25	21.45	3.51	35.63	21.40	4.00
1330	80	62	43.8	36.6	2.15	42.0	36.8	2.44	40.1	36.0	2.77	38.1	35.9	3.14	36.34	35.11	3.56	34.29	34.14	4.03
	80	67	47.6	29.3	2.12	45.6	29.7	2.41	43.5	28.9	2.74	41.3	28.8	3.11	38.92	28.51	3.54	36.31	28.54	4.02
	80	72	52.7	22.7	2.07	50.5	23.2	2.37	48.1	22.5	2.70	45.6	22.5	3.08	42.94	22.40	3.50	39.98	22.66	3.98
	75	62	43.3	29.6	2.15	41.5	29.8	2.44	39.6	29.0	2.77	37.5	28.8	3.14	35.26	28.48	3.57	32.83	28.38	4.05
	75	67	47.9	23.2	2.11	45.8	23.5	2.41	43.7	22.8	2.74	41.4	22.8	3.11	38.81	22.55	3.54	35.96	22.58	4.02

HEATING EXPANDED RATINGS

WSH2BF4M1SP24K with B6VMMX24K-B

		OUTDOOR TEMPERATURE (Deg. F)																							
CFM	Indoor T. Deg.F	10			17			20			30			40			47			50			60		
		MBH	COP	kW	MBH	COP	kW	MBH	COP	kW	MBH	COP	kW	MBH	COP	kW	MBH	COP	kW	MBH	COP	kW	MBH	COP	kW
785	60	11.3	2.23	1.49	13.8	2.68	1.50	14.8	2.87	1.51	18.3	3.50	1.53	21.8	4.11	1.56	24.3	4.53	1.57	25.3	4.70	1.58	28.8	5.28	1.60
	70	10.8	2.20	1.43	13.0	2.61	1.46	14.0	2.78	1.48	17.3	3.33	1.52	20.5	3.84	1.57	22.8	4.19	1.60	23.8	4.33	1.61	27.0	4.79	1.66
	80	10.2	2.14	1.40	12.3	2.51	1.43	13.2	2.67	1.45	16.2	3.16	1.50	19.2	3.62	1.56	21.3	3.93	1.59	22.2	4.05	1.61	25.3	4.45	1.66
885	60	11.4	2.18	1.53	13.9	2.63	1.55	14.9	2.82	1.55	18.5	3.45	1.57	22.1	4.06	1.59	24.5	4.48	1.61	25.6	4.66	1.61	29.2	5.24	1.63
	70	10.9	2.15	1.48	13.2	2.56	1.51	14.2	2.73	1.52	17.5	3.27	1.57	20.8	3.79	1.61	23.1	4.14	1.64	24.1	4.28	1.65	27.4	4.75	1.69
	80	10.3	2.10	1.43	12.4	2.48	1.47	13.4	2.63	1.49	16.4	3.12	1.55	19.5	3.57	1.60	21.7	3.87	1.64	22.6	3.99	1.66	25.7	4.38	1.72
985	60	11.5	2.14	1.58	14.0	2.59	1.59	15.1	2.78	1.59	18.7	3.41	1.61	22.3	4.02	1.62	24.8	4.44	1.64	25.9	4.62	1.64	29.4	5.22	1.66
	70	11.0	2.12	1.52	13.3	2.53	1.55	14.3	2.70	1.56	17.7	3.24	1.60	21.1	3.76	1.64	23.4	4.10	1.67	24.4	4.25	1.68	27.8	4.72	1.73
	80	10.4	2.07	1.48	12.6	2.43	1.52	13.5	2.58	1.53	16.6	3.06	1.59	19.7	3.50	1.65	21.9	3.80	1.69	22.8	3.92	1.71	25.9	4.30	1.76

WSH2BF4M1SP30K with B6VMMX30K-B

		OUTDOOR TEMPERATURE (Deg. F)																							
CFM	Indoor T. Deg.F	10			17			20			30			40			47			50			60		
		MBH	COP	kW	MBH	COP	kW	MBH	COP	kW	MBH	COP	kW	MBH	COP	kW	MBH	COP	kW	MBH	COP	kW	MBH	COP	kW
985	60	14.4	2.47	1.71	17.3	2.88	1.76	18.5	3.04	1.78	22.6	3.57	1.86	26.7	4.05	1.93	29.6	4.37	1.98	30.8	4.50	2.01	34.9	4.92	2.08
	70	13.8	2.40	1.68	16.5	2.76	1.75	17.7	2.90	1.78	21.5	3.36	1.88	25.4	3.76	1.98	28.1	4.03	2.05	29.3	4.13	2.08	33.2	4.47	2.18
	80	13.2	2.30	1.68	15.7	2.62	1.76	16.8	2.75	1.79	20.5	3.15	1.91	24.1	3.51	2.02	26.7	3.74	2.09	27.8	3.83	2.13	31.4	4.12	2.24
1085	60	14.4	2.42	1.75	17.4	2.83	1.80	18.6	3.00	1.82	22.8	3.53	1.89	27.0	4.03	1.96	29.9	4.35	2.01	31.1	4.48	2.04	35.3	4.91	2.11
	70	13.9	2.35	1.73	16.6	2.72	1.80	17.8	2.86	1.83	21.8	3.32	1.92	25.7	3.74	2.02	28.4	4.01	2.08	29.6	4.12	2.11	33.5	4.46	2.21
	80	13.3	2.27	1.72	15.9	2.59	1.80	17.0	2.72	1.83	20.7	3.13	1.94	24.4	3.49	2.06	27.0	3.71	2.13	28.1	3.81	2.17	31.9	4.10	2.28
1185	60	14.5	2.38	1.79	17.5	2.79	1.84	18.8	2.96	1.86	23.0	3.50	1.93	27.2	4.00	1.99	30.1	4.33	2.04	31.4	4.47	2.06	35.6	4.90	2.13
	70	14.0	2.33	1.77	16.8	2.69	1.83	18.0	2.84	1.86	22.0	3.30	1.95	26.0	3.72	2.05	28.7	3.99	2.11	29.9	4.10	2.14	33.9	4.45	2.23
	80	13.4	2.24	1.76	16.0	2.56	1.84	17.2	2.69	1.87	20.9	3.09	1.98	24.6	3.45	2.09	27.2	3.68	2.17	28.4	3.77	2.20	32.1	4.06	2.32

HEATING EXPANDED RATINGS (Continued)

WSH2BF4M1SP36K with B6VMMX36K-B

		OUTDOOR TEMPERATURE (Deg. F)																							
CFM	Indoor T. Deg.F	10			17			20			30			40			47			50			60		
		MBH	COP	kW	MBH	COP	kW	MBH	COP	kW	MBH	COP	kW	MBH	COP	kW	MBH	COP	kW	MBH	COP	kW	MBH	COP	kW
1080	60	18.1	2.70	1.97	21.2	3.02	2.06	22.6	3.15	2.10	27.1	3.56	2.23	31.6	3.91	2.37	34.8	4.14	2.46	36.1	4.23	2.50	40.6	4.52	2.64
	70	17.4	2.57	1.99	20.4	2.85	2.10	21.7	2.97	2.14	26.0	3.31	2.30	30.3	3.61	2.46	33.3	3.80	2.57	34.6	3.88	2.62	38.9	4.11	2.78
	80	16.8	2.44	2.02	19.7	2.69	2.15	20.9	2.79	2.20	25.0	3.08	2.37	29.0	3.34	2.55	31.9	3.50	2.67	33.1	3.56	2.72	37.2	3.76	2.90
1230	60	18.2	2.64	2.02	21.4	2.98	2.11	22.8	3.11	2.15	27.4	3.53	2.28	32.0	3.90	2.41	35.2	4.14	2.50	36.6	4.24	2.53	41.2	4.54	2.66
	70	17.6	2.52	2.05	20.7	2.81	2.15	22.0	2.93	2.20	26.3	3.29	2.35	30.7	3.60	2.50	33.8	3.80	2.61	35.1	3.88	2.65	39.4	4.13	2.80
	80	17.0	2.39	2.08	19.9	2.65	2.20	21.1	2.75	2.25	25.3	3.06	2.42	29.5	3.33	2.59	32.4	3.50	2.71	33.6	3.57	2.76	37.8	3.78	2.93
1380	60	18.3	2.59	2.07	21.6	2.93	2.16	23.0	3.07	2.20	27.7	3.50	2.32	32.4	3.88	2.44	35.6	4.13	2.53	37.0	4.23	2.57	41.7	4.55	2.69
	70	17.8	2.49	2.10	20.9	2.79	2.20	22.2	2.91	2.24	26.7	3.27	2.39	31.1	3.60	2.54	34.2	3.80	2.64	35.5	3.88	2.68	40.0	4.14	2.83
	80	17.2	2.36	2.14	20.1	2.62	2.25	21.4	2.73	2.30	25.6	3.04	2.47	29.8	3.32	2.63	32.7	3.49	2.75	34.0	3.56	2.80	38.2	3.78	2.96

WSH2BF4M1SP42K with B6VMMX42K-B

		OUTDOOR TEMPERATURE (Deg. F)																							
CFM	Indoor T. Deg.F	10			17			20			30			40			47			50			60		
		MBH	COP	kW	MBH	COP	kW	MBH	COP	kW	MBH	COP	kW	MBH	COP	kW	MBH	COP	kW	MBH	COP	kW	MBH	COP	kW
1175	60	20.8	2.53	2.41	24.8	2.91	2.50	26.6	3.07	2.54	32.3	3.57	2.66	38.1	4.01	2.78	42.2	4.31	2.87	43.9	4.43	2.91	49.7	4.80	3.03
	70	20.0	2.35	2.50	23.9	2.71	2.60	25.6	2.85	2.64	31.2	3.29	2.78	36.8	3.70	2.92	40.7	3.96	3.02	42.4	4.06	3.06	48.0	4.40	3.20
	80	19.5	2.19	2.60	23.2	2.51	2.71	24.9	2.64	2.76	30.2	3.05	2.91	35.6	3.41	3.06	39.3	3.64	3.17	40.9	3.74	3.21	46.3	4.03	3.37
1325	60	20.9	2.50	2.46	25.0	2.89	2.54	26.8	3.05	2.58	32.7	3.56	2.69	38.5	4.02	2.81	42.7	4.32	2.90	44.4	4.44	2.93	50.3	4.83	3.05
	70	20.2	2.33	2.55	24.2	2.69	2.64	25.9	2.83	2.68	31.6	3.29	2.81	37.2	3.70	2.95	41.2	3.97	3.04	42.9	4.08	3.08	48.5	4.43	3.22
	80	19.6	2.17	2.65	23.5	2.50	2.76	25.1	2.63	2.80	30.6	3.04	2.95	36.0	3.42	3.09	39.8	3.66	3.19	41.5	3.76	3.24	46.9	4.07	3.38
1475	60	21.0	2.46	2.50	25.2	2.86	2.58	27.0	3.02	2.62	32.9	3.53	2.73	38.9	4.01	2.85	43.1	4.32	2.93	44.9	4.44	2.96	50.8	4.85	3.08
	70	20.5	2.31	2.59	24.5	2.67	2.68	26.2	2.82	2.72	31.9	3.28	2.85	37.6	3.70	2.98	41.6	3.98	3.07	43.3	4.09	3.11	49.1	4.45	3.24
	80	19.8	2.16	2.70	23.7	2.48	2.80	25.3	2.62	2.84	30.8	3.03	2.98	36.4	3.41	3.12	40.2	3.66	3.22	41.9	3.76	3.26	47.4	4.08	3.40

WSH2BF4M1SP48K with B6VMMX48K-B

		OUTDOOR TEMPERATURE (Deg. F)																							
CFM	Indoor T. Deg.F	10			17			20			30			40			47			50			60		
		MBH	COP	kW	MBH	COP	kW	MBH	COP	kW	MBH	COP	kW	MBH	COP	kW	MBH	COP	kW	MBH	COP	kW	MBH	COP	kW
1225	60	22.5	2.62	2.52	27.1	3.02	2.63	29.0	3.18	2.67	35.5	3.69	2.82	42.0	4.15	2.97	46.5	4.44	3.07	48.5	4.56	3.12	54.9	4.94	3.26
	70	21.7	2.42	2.63	26.1	2.79	2.74	28.0	2.94	2.79	34.3	3.40	2.96	40.6	3.82	3.12	45.1	4.08	3.24	47.0	4.19	3.29	53.3	4.53	3.45
	80	21.2	2.26	2.76	25.5	2.59	2.88	27.3	2.73	2.93	33.4	3.15	3.11	39.4	3.52	3.29	43.7	3.76	3.41	45.5	3.85	3.46	51.6	4.16	3.64
1425	60	22.8	2.58	2.58	27.4	2.99	2.68	29.4	3.16	2.72	36.0	3.68	2.86	42.6	4.16	3.00	47.2	4.47	3.10	49.1	4.59	3.14	55.7	4.99	3.28
	70	22.0	2.40	2.69	26.5	2.78	2.80	28.4	2.93	2.85	34.8	3.40	3.00	41.2	3.83	3.15	45.7	4.11	3.26	47.6	4.22	3.31	54.0	4.58	3.46
	80	21.4	2.23	2.82	25.8	2.57	2.94	27.6	2.71	2.99	33.8	3.15	3.15	40.0	3.54	3.32	44.4	3.79	3.44	46.2	3.89	3.49	52.4	4.21	3.65
1625	60	22.9	2.54	2.64	27.6	2.96	2.73	29.6	3.13	2.77	36.3	3.66	2.91	43.0	4.15	3.04	47.8	4.47	3.13	49.8	4.60	3.17	56.5	5.01	3.31
	70	22.4	2.38	2.75	26.9	2.76	2.85	28.8	2.92	2.90	35.3	3.40	3.04	41.8	3.84	3.19	46.3	4.12	3.29	48.2	4.24	3.34	54.7	4.61	3.48
	80	21.7	2.21	2.88	26.1	2.56	2.99	28.0	2.70	3.04	34.2	3.14	3.20	40.5	3.54	3.35	44.9	3.80	3.46	46.8	3.91	3.51	53.0	4.24	3.67

HEATING EXPANDED RATINGS WITH VARIABLE SPEED AIR HANDLER

WSH2BF4M2SX60K with B6VMMX60K-C HIGH SPEED

		OUTDOOR TEMPERATURE (Deg. F)																							
CFM	Indoor T. Deg.F	10			17			20			30			40			47			50			60		
		MBH	COP	kW	MBH	COP	kW	MBH	COP	kW	MBH	COP	kW	MBH	COP	kW	MBH	COP	kW	MBH	COP	kW	MBH	COP	kW
1635	60	28.4	2.71	3.08	34.5	2.94	3.44	37.1	3.03	3.59	45.8	3.27	4.11	54.4	3.46	4.62	60.5	3.56	4.98	63.1	3.61	5.13	71.8	3.73	5.65
	70	27.5	2.46	3.28	33.5	2.68	3.67	36.0	2.76	3.83	44.6	2.98	4.39	53.1	3.15	4.94	59.1	3.26	5.32	61.6	3.29	5.49	70.2	3.41	6.04
	80	27.0	2.26	3.50	32.8	2.45	3.92	35.3	2.52	4.10	43.6	2.72	4.70	52.0	2.87	5.30	57.8	2.96	5.72	60.3	2.99	5.90	68.6	3.09	6.50
1835	60	28.7	2.69	3.13	34.9	2.94	3.47	37.5	3.04	3.62	46.3	3.30	4.11	55.1	3.51	4.60	61.2	3.63	4.95	63.9	3.68	5.10	72.7	3.81	5.59
	70	27.9	2.45	3.33	33.9	2.69	3.70	36.5	2.77	3.86	45.1	3.02	4.38	53.7	3.21	4.91	59.7	3.32	5.28	62.3	3.36	5.44	70.9	3.49	5.96
	80	27.2	2.24	3.56	33.1	2.46	3.95	35.7	2.54	4.13	44.1	2.76	4.69	52.5	2.93	5.26	58.4	3.03	5.66	61.0	3.07	5.83	69.4	3.18	6.40
2035	60	28.7	2.66	3.17	35.0	2.93	3.51	37.7	3.03	3.65	46.6	3.31	4.13	55.6	3.53	4.62	61.8	3.66	4.95	64.5	3.71	5.10	73.5	3.86	5.58
	70	28.2	2.45	3.38	34.3	2.69	3.74	36.9	2.78	3.89	45.6	3.04	4.40	54.3	3.24	4.91	60.3	3.36	5.26	62.9	3.41	5.41	71.6	3.55	5.92
	80	27.5	2.24	3.61	33.5	2.46	3.99	36.0	2.54	4.15	44.5	2.78	4.70	53.0	2.97	5.24	59.0	3.08	5.62	61.5	3.12	5.79	70.0	3.25	6.33

WSH2BF4M2SX60K with B6VMMX60K-C LOW SPEED

		OUTDOOR TEMPERATURE (Deg. F)																							
CFM	Indoor T. Deg.F	10			17			20			30			40			47			50			60		
		MBH	COP	kW	MBH	COP	kW	MBH	COP	kW	MBH	COP	kW	MBH	COP	kW	MBH	COP	kW	MBH	COP	kW	MBH	COP	kW
1130	60	18.6	2.30	2.37	22.9	2.65	2.53	24.7	2.79	2.60	30.8	3.20	2.82	36.9	3.56	3.04	41.2	3.78	3.20	43.0	3.87	3.27	49.2	4.13	3.49
	70	17.9	2.13	2.46	22.0	2.45	2.63	23.8	2.58	2.71	29.7	2.95	2.95	35.6	3.26	3.20	39.8	3.45	3.38	41.5	3.53	3.45	47.4	3.76	3.70
	80	17.3	1.98	2.56	21.3	2.27	2.75	23.0	2.38	2.83	28.7	2.71	3.10	34.4	2.99	3.37	38.4	3.16	3.56	40.1	3.22	3.65	45.8	3.43	3.92
1280	60	18.7	2.27	2.42	23.1	2.63	2.57	24.9	2.77	2.64	31.1	3.20	2.85	37.3	3.57	3.07	41.7	3.80	3.22	43.6	3.89	3.28	49.8	4.18	3.50
	70	18.1	2.11	2.51	22.3	2.44	2.68	24.1	2.57	2.75	30.0	2.95	2.99	36.0	3.28	3.22	40.2	3.48	3.39	42.0	3.56	3.46	48.0	3.81	3.70
	80	17.5	1.96	2.61	21.5	2.26	2.80	23.2	2.37	2.87	29.0	2.72	3.13	34.8	3.01	3.40	38.9	3.19	3.58	40.6	3.26	3.66	46.4	3.47	3.92
1430	60	18.8	2.24	2.47	23.2	2.61	2.61	25.1	2.75	2.68	31.4	3.19	2.89	37.7	3.57	3.10	42.1	3.81	3.24	44.0	3.90	3.31	50.3	4.20	3.52
	70	18.3	2.10	2.56	22.5	2.43	2.72	24.3	2.56	2.79	30.4	2.95	3.02	36.4	3.29	3.25	40.7	3.50	3.41	42.5	3.58	3.48	48.5	3.83	3.71
	80	17.7	1.95	2.66	21.7	2.25	2.84	23.5	2.36	2.91	29.3	2.72	3.17	35.2	3.02	3.42	39.2	3.20	3.59	41.0	3.27	3.67	46.8	3.50	3.92



GENERAL TERMS OF LIMITED WARRANTY

Nortek Global HVAC, LLC will furnish a replacement for any part of this product which fails in normal use and service within the terms and conditions of the warranty.

For complete details of the Limited Warranty, including applicable terms and conditions, see your local installer or contact the Nortek Global HVAC, LLC warranty department for a copy.

Before purchasing this appliance, read important energy cost and efficiency information available from your retailer. Specifications and illustrations subject to change without notice and without incurring obligations. Printed in U.S.A (04/2019)