

TECHNICAL SPECIFICATIONS

WSH2BE Series

**Up to 15 SEER, 8.2 HSPF
Residential System
High Efficiency Heat Pump**

1.5 – 5 Ton Capacity

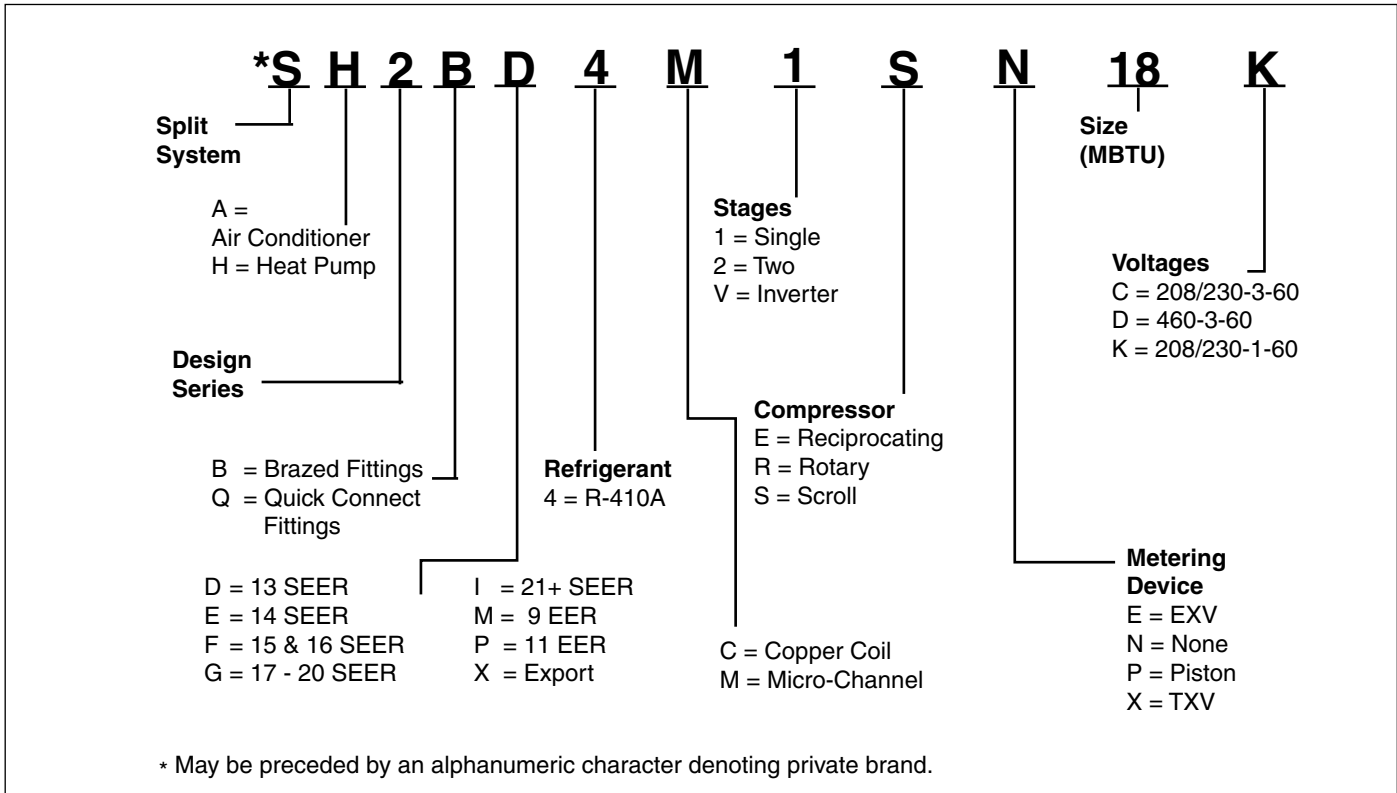
The WSH2BE Series heat pump, when combined with our engineered coils or air handlers, offers a full line of quality, split system heating and cooling equipment. Units are ideally sized for slab or rooftop mounting in light commercial applications.



FEATURES and BENEFITS

- **Quality Compressor** – State-of-the-art Copeland Scroll™ compressor is standard equipment.
- **Patented Hot Gas Bypass Defrost** – Ensures that outdoor coil defrosts every time and only when necessary.
- **Full Service Valves** – Brass valves that are easily accessible and simplify servicing of the refrigeration system.
- **Galvanized Steel Design** – Polyester urethane coat finish passes 950 hours of salt spray per ASTM Std. 8117.
- **Composite Base Pan** – Absorbs sound and is corrosion resistant. Composite is also stronger and lighter than steel.
- **Permanently Lubricated Motor** – A heavy duty PSC motor for long lasting reliability and quiet operation. Requires no maintenance and is completely protected from rain and snow.
- **Removable Top Grille Assembly** – Allows ease of service from the top without disconnecting fan motor leads.
- **Suction Accumulator and Crankcase Heater** – Protection from liquid flood back and future compressor failures.
- **Hot Gas Muffler** – Reduces compressor noise and vibration.
- **Low Pressure Switch** – Loss of charge protection ensures long compressor life. Auto-reset feature prevents nuisance service visits.
- **High Pressure Switch** – Protects against abnormally high system pressures. Auto-reset feature prevents nuisance service visits.
- **Liquid Line Filter Drier** – Included with unit and field installed.
- **One-Piece Top/Orifice** – Designed for maximum air-flow and quiet operation.
- **Easy Compressor and Control Access** – Designed to make servicing easier for the contractor, access panels are provided to all controls and the compressor from the side of the unit.
- **All-Aluminum Coils** – Aluminum coils in all models which provides high corrosion resistance.
- **Powder Coated Wire Guard and Mesh Hail Guard** – Will never rust and protects the coil from being damaged.
- **Common Suction Service Port** – This port allows the contractor to read the suction pressure in all modes of operation without removing any panels, saving time and increasing serviceability.
- **Five Minute Restart Time Delay** – When the unit shuts down, a five minute delay keeps the unit from restarting, eliminating the highest cause for compressor failure.

MODEL IDENTIFICATION CODES

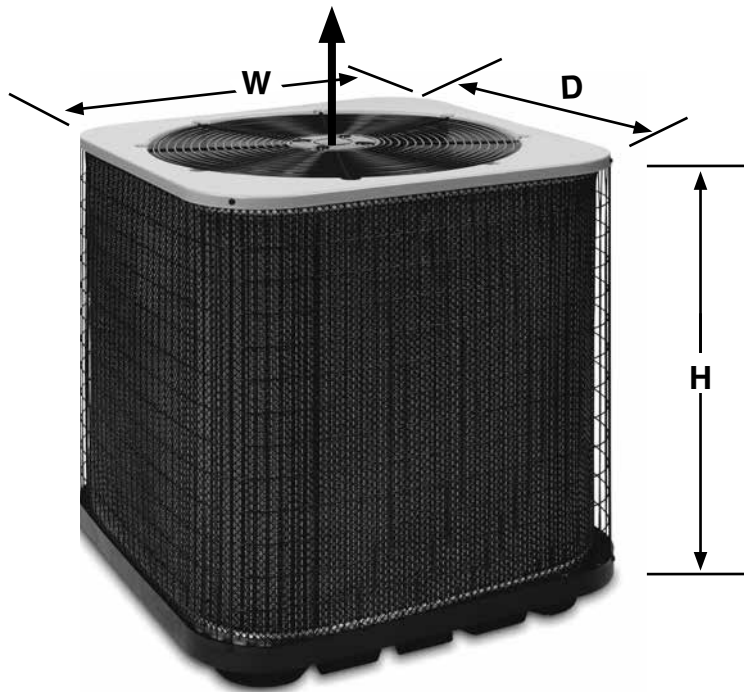


DIMENSIONS

HEAT PUMP OUTDOOR SECTION

WSH2BE	18K	24K	30K	36K	42K	48K	60K
H	31 1/2"	31 1/2"	39 1/2"	43 1/2"	43 1/2"	43 1/2"	43 1/2"
W	30 3/4"	30 3/4"	30 3/4"	30 3/4"	30 3/4"	30 3/4"	30 3/4"
D	30 3/4"	30 3/4"	30 3/4"	30 3/4"	30 3/4"	30 3/4"	30 3/4"

Air Discharge
Allow Adequate Clearance for Airflow



PHYSICAL AND ELECTRICAL SPECIFICATIONS / OUTDOOR UNITS

14 SEER — High Efficiency — Single Phase

Model Number WSH2BE		18K	24K	30K	36K	42K	48K	60K	
Electrical Data	Volts-Cycles-Phase (1)	208/230-60-1							
	Total Amps	9.9	14.4	13.7	15.1	19.4	21.3	27.7	
	Delay Fuse Max. (2)	20	30	25	30	40	45	60	
	Min. Circuit Ampacity	12.1	17.7	16.9	18.6	23.9	26.3	34.3	
Fan Motor	Type	PSC							
	Amps	0.9	0.9	0.9	1.0	1.5	1.5	1.5	
	HP	0.13	0.13	0.13	0.20	0.25	0.25	0.25	
	Compressor Data	RLA	9.0	13.4	12.8	14.1	17.9	19.8	26.2
		LRA	46.0	58.3	64.0	77.0	112.0	109.0	134.0
Refrigerant suction line O.D. NOTE: Liquid line is 3/8" O.D. for entire length."	0-24 ft.	3/4"	3/4"	3/4"	7/8"	7/8"	7/8"	7/8"	
	25-39 ft.	3/4"	3/4"	3/4"	7/8"	7/8"	7/8"	1-1/8" (3)	
	40-75 ft.	3/4"	3/4"	3/4"	7/8"	7/8"	7/8"	1-1/8" (3)	
Approximate Weight (lbs.)	Net	185	192	208	212	232	234	236	
	Ship	196	203	220	225	245	247	249	
Sound Rating db		75	75	75	76	79	79	79	

(1) Operating Voltage Range: 187v min. - 253v max.

(2) HACR Type Circuit Breakers may be used.

(3) Requires 7/8" to 1-1/8" reducer from line to unit.

Notes:

Additional charge for line sets above 15 feet.

Values based on suction line as follows with 3/8" liquid line.

a) 3/4" = 0.6 oz. per additional foot.

b) 7/8" = 0.7 oz. per additional foot.

c) 1 1/8" = 0.8 oz. per additional foot.

ACCESSORIES - Condensing Unit

Start Assist Kit - 912933

Provides additional starting torque for the compressor motor when operating with low line voltage or high operating temperatures.

SYSTEM HEATING AND COOLING CAPACITIES

14+ SEER — High Efficiency — Single Phase

Outdoor Unit	Indoor Unit	BTUH	SEER	EER	Heating Capacity BTUH @ 47° F	HSPF	CFM
WSH2BE4M1SP18K	C7B(A,H)M01824(C,U)-A + TXV	17,900	14.0	11.5	17,000	7.7	660
WSH2BE4M1SP18K	C7B(A,H)M01824(C,U)-B + TXV	17,900	14.0	11.5	17,000	7.7	660
WSH2BE4M1SP24K	C7B(A,H)M01824(C,U)-A + TXV	23,600	14.0	12.2	22,600	8.2	810
WSH2BE4M1SP24K	C7B(A,H)M01824(C,U)-B + TXV	23,600	14.0	12.2	22,600	8.2	810
WSH2BE4M1SP24K	C7B(A,H)M030(C,U)-C + TXV	23,600	14.0	12.2	22,600	8.2	810
WSH2BE4M1SP30K	C7B(A,H)M03036(C,U)-A + TXV	28,000	14.0	12.2	28,000	8.2	980
WSH2BE4M1SP30K	C7B(A,H)M03036(C,U)-B + TXV	28,000	14.0	12.2	28,000	8.2	980
WSH2BE4M1SP30K	C7B(A,H)M030(C,U)-C + TXV	28,000	14.0	12.2	28,000	8.2	980
WSH2BE4M1SP36K	C7B(A,H)M03642(C,U)-B + TXV	34,600	14.0	12.2	33,000	8.2	1140
WSH2BE4M1SP36K	C7B(A,H)M03648(C,U)-C + TXV	34,600	14.0	12.2	33,000	8.2	1140
WSH2BE4M1SP42K	C7B(A,H)M03642(C,U)-B + TXV	40,500	14.0	12.2	41,000	8.2	1275
WSH2BE4M1SP42K	C7B(A,H)M03648(C,U)-C + TXV	40,500	14.0	12.2	41,000	8.2	1275
WSH2BE4M1SP42K	C7B(A,H)M042(C,U)-D + TXV	40,500	14.0	12.2	41,000	8.2	1275

Outdoor Unit	Indoor Unit	BTUH	SEER	EER	Heating Capacity BTUH @ 47° F	HSPF	CFM
WSH2BE4M1SP18K	B6BMM024K-A	17,500	14.0	11.5	16,700	8.2	650
WSH2BE4M1SP24K	B6BMM024K-A	23,600	14.0	11.5	23,600	8.2	825
WSH2BE4M1SP30K	B6BMM030K-A	28,600	14.0	11.5	29,200	8.2	1040
WSH2BE4M1SP36K	B6BMM042K-B	34,400	14.0	11.5	34,000	8.2	1195
WSH2BE4M1SP42K	B6BMM042K-B	39,500	14.0	11.5	40,500	8.2	1275
WSH2BE4M1SP48K	B6BMM060K-C	45,500	14.0	11.5	46,000	8.2	1555
WSH2BE4M1SP60K	B6BMM060K-C	57,500	14.0	11.5	58,000	8.2	1615

Outdoor Unit	Indoor Unit	BTUH	SEER	EER	Heating Capacity BTUH @ 47° F	HSPF	CFM
WSH2BE4M1SP18K	B6EMMX24K-A	18,000	14.5	12.0	16,400	8.2	650
WSH2BE4M1SP24K	B6EMMX24K-A	23,800	15.0	12.5	22,000	8.5	815
WSH2BE4M1SP30K	B6EMMX30K-A	28,000	15.0	12.5	26,200	8.5	980
WSH2BE4M1SP36K	B6EMMX36K-B	34,200	15.0	12.5	32,600	8.5	1145
WSH2BE4M1SP42K	B6EMMX42K-B	40,000	15.0	12.5	40,000	8.5	1265
WSH2BE4M1SP48K	B6EMMX48K-C	46,000	15.0	12.5	45,000	8.5	1510
WSH2BE4M1SP60K	B6EMMX60K-C	57,500	14.0	11.5	58,000	8.2	1600

All ratings are with time delay relay.

See current AHRI Directory for certified combinations and ratings.

www.ahridirectory.org

14 SEER COOLING EXPANDED RATINGS - LOOSE COIL

WSH2BE4M1SP18K with C7B(A,H)M01824(C,U)-B+TXV

CFM	O.D.T		65°F			75°F			85°F			95°F			105°F			115°F		
	E.D.B.	E.W.B.	T.C.	S.C.	K.W.	T.C.	S.C.	K.W.	T.C.	S.C.	K.W.	T.C.	S.C.	K.W.	T.C.	S.C.	K.W.	T.C.	S.C.	K.W.
525	80	62	18.3	14.9	1.08	17.6	14.8	1.20	16.8	14.8	1.32	16.0	14.5	1.47	15.1	14.8	1.63	14.3	14.0	1.82
	80	67	19.9	12.2	1.07	19.1	12.1	1.19	18.3	12.2	1.31	17.3	12.0	1.46	16.3	11.7	1.62	15.3	11.0	1.81
	80	72	22.1	9.4	1.05	21.3	9.4	1.17	20.3	9.5	1.30	19.2	9.3	1.44	18.0	9.2	1.61	16.6	9.3	1.81
	75	62	18.0	12.3	1.08	17.3	12.2	1.20	16.5	12.2	1.32	15.7	12.0	1.47	14.7	10.9	1.63	13.8	11.7	1.82
600	80	62	18.8	16.1	1.10	18.1	16.4	1.22	17.3	16.0	1.35	16.5	15.6	1.49	15.7	15.2	1.65	14.8	14.7	1.85
	80	67	20.4	13.1	1.09	19.5	13.4	1.21	18.6	13.1	1.34	17.7	12.9	1.48	16.6	12.8	1.65	15.5	12.7	1.84
	80	72	22.5	10.0	1.07	21.6	10.4	1.19	20.3	10.1	1.33	19.2	9.9	1.47	18.0	9.9	1.64	16.8	9.8	1.83
	75	62	18.5	13.2	1.10	17.7	13.4	1.22	16.9	13.1	1.35	16.0	12.9	1.49	15.0	12.8	1.66	14.0	12.7	1.85
675	80	62	19.3	17.4	1.13	18.6	17.3	1.24	17.9	16.7	1.37	17.1	16.2	1.51	16.2	15.7	1.68	15.3	15.2	1.87
	80	67	20.7	14.1	1.12	19.9	14.3	1.23	18.9	13.9	1.36	18.0	13.8	1.51	16.9	13.6	1.67	15.7	13.6	1.86
	80	72	22.5	10.7	1.10	21.5	10.8	1.22	20.5	10.5	1.35	19.4	10.4	1.50	18.3	10.3	1.66	17.0	10.3	1.85
	75	62	18.8	14.2	1.13	18.0	14.3	1.25	17.2	13.9	1.37	16.3	13.8	1.52	15.3	13.6	1.68	14.2	13.5	1.87

WSH2BE4M1SP24K with C7B(A,H)M01824(C,U)-B+TXV

CFM	O.D.T		65°F			75°F			85°F			95°F			105°F			115°F		
	E.D.B.	E.W.B.	T.C.	S.C.	K.W.	T.C.	S.C.	K.W.	T.C.	S.C.	K.W.	T.C.	S.C.	K.W.	T.C.	S.C.	K.W.	T.C.	S.C.	K.W.
700	80	62	24.2	19.2	1.36	23.3	19.1	1.52	22.4	19.2	1.70	21.4	18.9	1.88	20.4	19.8	2.10	19.3	18.7	2.34
	80	67	26.2	15.5	1.36	25.2	15.4	1.53	24.2	15.5	1.70	23.1	15.2	1.89	21.9	15.0	2.10	20.7	14.2	2.34
	80	72	29.1	12.1	1.36	27.9	12.0	1.53	26.7	12.3	1.71	25.4	12.1	1.91	23.9	11.9	2.12	22.3	12.1	2.36
	75	62	23.9	15.7	1.36	23.0	15.5	1.52	22.1	15.6	1.69	21.1	15.3	1.88	20.0	14.2	2.09	18.9	15.2	2.33
800	80	62	24.8	20.7	1.40	23.9	21.1	1.56	23.0	20.6	1.73	22.0	20.4	1.92	21.0	20.2	2.14	20.0	19.8	2.38
	80	67	26.8	16.5	1.39	25.8	16.9	1.56	24.7	16.5	1.74	23.5	16.3	1.93	22.3	16.3	2.14	21.0	16.3	2.38
	80	72	29.5	12.7	1.39	28.2	13.3	1.57	26.7	12.9	1.75	25.4	12.8	1.94	24.0	12.8	2.16	22.6	12.8	2.40
	75	62	24.4	16.6	1.39	23.5	17.0	1.56	22.5	16.6	1.73	21.5	16.7	1.92	20.4	16.7	2.13	19.2	16.6	2.37
900	80	62	25.4	22.3	1.43	24.5	22.4	1.60	23.5	21.9	1.77	22.6	21.5	1.96	21.6	20.9	2.18	20.5	20.4	2.42
	80	67	27.3	17.7	1.43	26.2	17.8	1.60	25.1	17.4	1.78	23.9	17.3	1.97	22.6	17.2	2.18	21.3	17.6	2.42
	80	72	29.5	13.6	1.43	28.3	13.9	1.60	27.0	13.4	1.79	25.7	13.4	1.98	24.3	13.3	2.20	22.8	13.4	2.44
	75	62	24.9	18.2	1.44	23.9	18.4	1.60	22.9	17.9	1.77	21.9	17.8	1.96	20.7	17.6	2.17	19.5	17.6	2.41

WSH2BE4M1SP30K with C7B(A,H)M03036(C,U)-B + TXV

CFM	O.D.T		65°F			75°F			85°F			95°F			105°F			115°F		
	E.D.B.	E.W.B.	T.C.	S.C.	K.W.	T.C.	S.C.	K.W.	T.C.	S.C.	K.W.	T.C.	S.C.	K.W.	T.C.	S.C.	K.W.	T.C.	S.C.	K.W.
875	80	62	29.0	23.6	1.66	28.0	23.4	1.83	26.8	23.5	2.01	25.6	23.2	2.22	24.4	24.0	2.46	23.1	22.8	2.74
	80	67	31.5	18.9	1.66	30.2	18.8	1.83	29.0	19.0	2.01	27.7	18.7	2.22	26.2	18.4	2.46	24.7	17.4	2.74
	80	72	34.8	14.7	1.66	33.4	14.6	1.82	31.9	14.9	2.01	30.5	14.6	2.22	28.8	14.5	2.46	26.8	14.8	2.74
	75	62	28.7	19.1	1.66	27.6	19.0	1.83	26.4	19.1	2.01	25.2	18.7	2.22	23.9	17.6	2.46	22.5	18.9	2.73
1000	80	62	29.8	25.4	1.71	28.7	25.9	1.87	27.5	25.3	2.06	26.5	24.9	2.27	25.3	24.4	2.51	24.0	23.8	2.78
	80	67	32.1	20.2	1.71	30.8	20.7	1.87	29.5	20.2	2.06	28.2	20.0	2.27	26.7	20.0	2.51	25.1	20.4	2.79
	80	72	35.4	15.5	1.70	33.8	16.2	1.86	32.1	15.7	2.05	30.5	15.6	2.27	28.9	15.6	2.51	27.2	15.7	2.78
	75	62	29.3	20.4	1.70	28.1	20.8	1.87	27.0	20.8	2.06	25.7	20.5	2.27	24.4	20.5	2.51	22.9	20.3	2.78
1125	80	62	30.5	27.5	1.75	29.5	27.4	1.92	28.4	26.5	2.10	27.3	25.9	2.31	26.0	25.2	2.55	24.7	24.6	2.83
	80	67	32.7	21.7	1.75	31.3	21.9	1.92	30.0	21.4	2.10	28.6	21.8	2.31	27.1	21.6	2.55	25.5	21.7	2.83
	80	72	35.5	16.6	1.74	34.0	16.9	1.91	32.5	16.4	2.10	31.0	16.4	2.31	29.3	16.3	2.55	27.5	16.4	2.83
	75	62	29.9	22.4	1.76	28.7	22.5	1.92	27.4	22.0	2.10	26.1	21.9	2.31	24.7	21.7	2.55	23.2	21.6	2.83

WSH2BE4M1SP36K with C7B(A,H)M03642(C,U)-B + TXV

CFM	O.D.T		65°F			75°F			85°F			95°F			105°F			115°F		
	E.D.B.	E.W.B.	T.C.	S.C.	K.W.	T.C.	S.C.	K.W.	T.C.	S.C.	K.W.	T.C.	S.C.	K.W.	T.C.	S.C.	K.W.	T.C.	S.C.	K.W.
1050	80	62	36.3	29.2	2.01	34.9	29.0	2.23	33.4	29.1	2.47	31.8	28.5	2.73	30.1	29.4	3.03	28.3	27.7	3.38
	80	67	39.4	24.1	2.02	37.8	23.9	2.25	36.1	24.0	2.48	34.3	23.6	2.75	32.4	23.2	3.05	30.4	21.8	3.40
	80	72	43.5	18.6	2.05	41.7	18.5	2.27	39.7	18.9	2.51	37.6	18.5	2.78	35.2	18.1	3.07	33.0	18.5	3.42
	75	62	35.9	24.3	2.01	34.5	24.1	2.23	32.9	24.2	2.46	31.3	23.6	2.73	29.6	21.7	3.03	27.7	23.3	3.37
1200	80	62	37.2	31.4	2.07	35.7	31.9	2.29	34.2	31.1	2.53	32.5	30.5	2.79	30.9	29.9	3.09	29.2	29.0	3.44
	80	67	40.2	25.7	2.08	38.6	26.3	2.31	36.8	25.6	2.54	34.9	25.3	2.81	33.0	25.3	3.11	30.9	25.1	3.46
	80	72	44.1	19.7	2.11	41.9	20.5	2.33	39.8	19.8	2.57	37.8	19.6	2.83	35.7	19.6	3.14	33.4	19.6	3.48
	75	62	36.6	25.9	2.07	35.1	26.5	2.29	33.5	25.8	2.52	31.8	25.4	2.79	30.1	25.2	3.09	28.1	25.0	3.43
1350	80	62	38.0	33.7	2.12	36.5	33.7	2.35	34.9	32.6	2.59	33.4	31.7	2.85	31.8	30.7	3.16	30.0	29.9	3.51
	80	67	40.8	27.6	2.14	39.1	27.9	2.37	37.3	27.2	2.60	35.4	27.0	2.87	33.4	26.7	3.17	31.2	26.7	3.52
	80	72	44.3	21.1	2.17	42.4	21.4	2.39	40.4	20.7	2.64	38.3	20.7	2.90	36.1	20.5	3.19	33.7	20.6	3.54
	75	62	37.2	27.8	2.12	35.7	28.0	2.34	34.1	27.3	2.58	32.3	27.0	2.85	30.5	26.7	3.15	28.5	26.5	3.49

14 SEER COOLING EXPANDED RATINGS - LOOSE COIL (CONTINUED)

WSH2BE4M1SP42K with C7B(A,H)M03642(C,U)-B + TXV

CFM	O.D.T		65°F			75°F			85°F			95°F			105°F			115°F		
	E.D.B.	E.W.B.	T.C.	S.C.	K.W.	T.C.	S.C.	K.W.	T.C.	S.C.	K.W.	T.C.	S.C.	K.W.	T.C.	S.C.	K.W.	T.C.	S.C.	K.W.
1400	80	62	43.7	35.8	2.57	42.1	35.6	2.80	40.3	35.6	3.07	38.4	34.9	3.38	36.4	35.8	3.73	34.3	33.8	4.12
	80	67	47.4	29.5	2.58	45.5	29.3	2.82	43.5	29.5	3.09	41.4	28.9	3.41	39.1	28.4	3.76	36.7	26.7	4.15
	80	72	51.2	22.8	2.60	49.2	22.6	2.84	47.0	22.9	3.12	44.6	22.4	3.43	42.1	21.9	3.79	39.5	22.3	4.18
	75	62	43.2	29.8	2.56	41.6	29.4	2.80	39.7	29.6	3.07	37.8	28.9	3.37	35.7	26.6	3.73	33.5	28.5	4.11
1600	80	62	44.7	38.3	2.64	43.0	38.9	2.88	41.2	37.8	3.15	39.2	37.0	3.46	37.3	36.1	3.81	35.4	35.1	4.21
	80	67	48.3	31.4	2.66	46.3	32.2	2.90	44.3	31.4	3.17	42.0	30.8	3.49	39.6	30.7	3.84	37.2	30.6	4.23
	80	72	52.1	23.8	2.68	50.0	24.8	2.92	47.7	24.0	3.20	45.2	23.7	3.52	42.7	23.7	3.87	40.0	23.6	4.26
	75	62	44.0	31.6	2.64	42.3	32.2	2.87	40.4	31.4	3.15	38.4	30.9	3.45	36.2	30.7	3.81	34.0	30.4	4.19
1800	80	62	45.6	40.8	2.72	43.9	40.6	2.96	42.0	39.2	3.23	40.2	38.2	3.55	38.3	37.0	3.90	36.2	36.0	4.29
	80	67	48.8	33.7	2.73	46.9	33.8	2.98	44.7	32.9	3.25	42.4	32.7	3.57	40.0	32.4	3.92	37.5	32.3	4.31
	80	72	52.8	25.4	2.75	50.5	25.8	2.99	48.2	25.0	3.28	45.7	24.8	3.60	43.0	24.6	3.95	40.2	24.7	4.34
	75	62	44.6	33.8	2.72	42.8	34.0	2.95	40.9	33.1	3.22	38.8	32.8	3.53	36.6	32.3	3.88	34.3	32.1	4.27

WSH2BE4M1SP48K with C7B(A,H)M048(C,U)-C + TXV + VSB

CFM	ODT		65°F			75°F			85°F			95°F			105°F			115°F		
	E.D.B.	E.W.B.	T.C.	S.C.	K.W.	T.C.	S.C.	K.W.	T.C.	S.C.	K.W.	T.C.	S.C.	K.W.	T.C.	S.C.	K.W.	T.C.	S.C.	K.W.
1400	80	62	48.8	38.9	2.61	46.9	38.6	2.88	44.8	38.7	3.19	42.6	37.9	3.54	40.2	39.3	3.94	37.8	37.0	4.37
	80	67	53.1	32.0	2.64	50.9	31.8	2.91	48.6	32.0	3.22	46.1	31.4	3.57	43.5	30.8	3.96	40.8	28.8	4.41
	80	72	58.5	24.7	2.67	56.0	24.6	2.94	53.2	25.0	3.26	50.4	24.5	3.60	47.1	24.1	3.99	44.2	24.5	4.43
	75	62	48.5	32.5	2.61	46.6	32.2	2.88	44.5	32.3	3.19	42.2	31.6	3.54	39.8	28.9	3.94	37.2	31.0	4.37
1600	80	62	50.0	41.8	2.67	48.0	42.5	2.94	45.9	41.4	3.25	43.5	40.6	3.60	41.3	39.9	3.99	39.1	38.7	4.44
	80	67	54.3	34.2	2.69	52.0	35.1	2.96	49.6	34.2	3.27	47.0	33.8	3.62	44.3	33.7	4.02	41.5	33.4	4.46
	80	72	59.4	26.2	2.72	56.6	27.3	2.99	53.6	26.4	3.30	50.8	26.1	3.65	48.0	26.1	4.05	44.9	26.1	4.48
	75	62	49.6	34.7	2.66	47.6	35.4	2.93	45.3	34.3	3.24	43.0	33.8	3.59	40.5	33.6	3.99	37.9	33.4	4.42
1800	80	62	51.0	44.9	2.71	49.0	44.9	2.99	46.8	43.6	3.30	44.7	42.4	3.65	42.5	41.0	4.05	40.2	40.0	4.49
	80	67	55.2	36.8	2.74	52.9	37.2	3.01	50.4	36.2	3.32	47.7	36.1	3.68	44.9	35.5	4.07	42.0	35.6	4.51
	80	72	59.9	28.0	2.77	57.3	28.5	3.03	54.5	27.6	3.35	51.6	27.5	3.70	48.6	27.3	4.10	45.4	27.4	4.53
	75	62	50.5	37.1	2.71	48.3	37.3	2.99	46.0	36.3	3.29	43.6	36.0	3.64	41.0	35.6	4.04	38.4	35.5	4.48

WSH2BE4M1SP60K with C7B(A,H)M060(C,U)-C + TXV + VSB

CFM	ODT		65°F			75°F			85°F			95°F			105°F			115°F		
	E.D.B.	E.W.B.	T.C.	S.C.	K.W.	T.C.	S.C.	K.W.	T.C.	S.C.	K.W.	T.C.	S.C.	K.W.	T.C.	S.C.	K.W.	T.C.	S.C.	K.W.
1550	80	62	60.6	42.7	3.69	57.7	42.0	4.09	55.3	42.2	4.46	52.8	41.4	4.89	50.0	43.4	5.39	47.2	41.0	5.97
	80	67	66.6	36.0	3.76	63.2	35.5	4.16	60.3	35.9	4.53	57.4	35.1	4.96	54.4	34.5	5.46	51.3	32.1	6.04
	80	72	73.6	28.7	3.86	70.0	28.3	4.26	67.0	28.8	4.63	63.8	28.2	5.06	60.9	27.8	5.72	57.2	28.6	6.27
	75	62	60.3	36.5	3.68	57.4	35.9	4.08	54.9	36.1	4.45	52.4	35.2	4.88	49.7	32.5	5.39	46.8	34.8	5.97
1700	80	62	62.1	44.7	3.74	59.0	45.4	4.14	56.5	44.2	4.51	53.9	43.7	4.94	51.1	43.5	5.44	48.0	43.4	6.02
	80	67	67.8	37.6	3.81	64.2	38.4	4.21	61.4	37.3	4.58	58.5	36.8	5.01	55.4	36.8	5.51	52.5	36.8	6.20
	80	72	75.1	29.7	3.93	71.4	30.8	4.32	68.2	29.8	4.69	64.8	29.5	5.12	61.7	29.9	5.77	58.0	30.1	6.33
	75	62	61.7	38.0	3.74	58.7	38.7	4.14	56.1	37.5	4.50	53.4	37.0	4.93	50.6	36.8	5.44	47.6	36.6	6.01
1850	80	62	63.4	47.3	3.79	60.2	47.3	4.19	57.6	46.2	4.56	54.8	45.9	5.00	51.9	45.4	5.49	48.8	45.4	6.07
	80	67	69.0	39.7	3.87	65.5	39.8	4.26	62.6	38.7	4.63	59.5	38.5	5.06	56.4	38.2	5.57	53.2	38.4	6.25
	80	72	76.4	31.4	3.98	72.5	31.8	4.37	69.2	30.8	4.74	65.8	30.8	5.17	62.4	30.8	5.83	58.4	31.3	6.37
	75	62	63.0	40.1	3.79	59.8	40.1	4.19	57.1	38.9	4.55	54.4	38.6	4.98	51.5	38.2	5.48	48.4	38.2	6.06

14 SEER HEATING EXPANDED RATINGS - LOOSE COIL

WSH2BE4M1SP18K with C7B(A,H)M01824(C,U)-B + TXV

		OUTDOOR TEMPERATURE (Deg. F)																							
CFM	Indoor T. Deg.F	10			17			20			30			40			47			50			60		
		MBH	COP	kW	MBH	COP	kW	MBH	COP	kW	MBH	COP	kW	MBH	COP	kW	MBH	COP	kW	MBH	COP	kW	MBH	COP	kW
560	60	8.3	1.80	1.36	10.3	2.21	1.36	11.1	2.39	1.36	13.8	2.99	1.36	16.6	3.59	1.36	18.5	4.00	1.36	19.3	4.18	1.36	22.1	4.78	1.35
	70	7.9	1.80	1.28	9.6	2.17	1.30	10.3	2.33	1.30	12.8	2.84	1.33	15.3	3.33	1.35	17.1	3.67	1.36	17.8	3.81	1.37	20.3	4.28	1.39
	80	7.2	1.73	1.23	8.8	2.08	1.25	9.5	2.22	1.25	11.7	2.68	1.28	14.0	3.12	1.31	15.6	3.42	1.33	16.2	3.55	1.34	18.5	3.95	1.37
660	60	8.4	1.75	1.40	10.4	2.17	1.40	11.2	2.34	1.40	14.0	2.94	1.40	16.8	3.53	1.40	18.8	3.95	1.40	19.6	4.13	1.39	22.4	4.73	1.39
	70	8.0	1.75	1.33	9.7	2.12	1.35	10.5	2.27	1.35	13.0	2.78	1.37	15.6	3.28	1.39	17.4	3.62	1.41	18.1	3.76	1.41	20.7	4.23	1.43
	80	7.4	1.71	1.26	9.0	2.04	1.29	9.7	2.18	1.30	12.0	2.64	1.33	14.3	3.07	1.37	15.9	3.36	1.39	16.6	3.48	1.40	18.9	3.87	1.43
760	60	8.6	1.74	1.45	10.6	2.14	1.45	11.4	2.32	1.44	14.2	2.90	1.44	17.0	3.50	1.43	19.0	3.92	1.42	19.9	4.10	1.42	22.7	4.70	1.41
	70	8.0	1.72	1.37	9.9	2.09	1.39	10.6	2.24	1.39	13.2	2.75	1.41	15.8	3.25	1.43	17.7	3.59	1.44	18.4	3.73	1.45	21.0	4.20	1.47
	80	7.5	1.68	1.31	9.1	2.01	1.33	9.8	2.14	1.34	12.2	2.58	1.38	14.5	3.00	1.41	16.1	3.28	1.44	16.8	3.40	1.45	19.1	3.77	1.49

WSH2BE4M1SP24K with C7B(A,H)M01824(C,U)-B + TXV

		OUTDOOR TEMPERATURE (Deg. F)																							
CFM	Indoor T. Deg.F	10			17			20			30			40			47			50			60		
		MBH	COP	kW	MBH	COP	kW	MBH	COP	kW	MBH	COP	kW	MBH	COP	kW	MBH	COP	kW	MBH	COP	kW	MBH	COP	kW
710	60	12.5	2.24	1.63	14.6	2.58	1.67	15.5	2.71	1.68	18.6	3.16	1.73	21.7	3.58	1.78	23.9	3.86	1.81	24.8	3.98	1.83	27.9	4.36	1.88
	70	11.9	2.19	1.60	13.9	2.47	1.65	14.7	2.59	1.67	17.6	2.96	1.74	20.4	3.31	1.81	22.4	3.53	1.86	23.3	3.62	1.88	26.1	3.92	1.96
	80	11.3	2.10	1.58	13.1	2.35	1.64	13.9	2.45	1.66	16.5	2.77	1.75	19.1	3.07	1.83	20.9	3.26	1.89	21.7	3.33	1.91	24.3	3.58	1.99
810	60	12.5	2.20	1.67	14.7	2.53	1.70	15.7	2.67	1.72	18.8	3.12	1.77	21.9	3.55	1.81	24.1	3.84	1.85	25.1	3.96	1.86	28.2	4.34	1.91
	70	12.0	2.14	1.64	14.0	2.43	1.69	14.9	2.55	1.71	17.8	2.93	1.78	20.7	3.28	1.85	22.7	3.51	1.90	23.6	3.61	1.92	26.5	3.91	1.99
	80	11.4	2.07	1.62	13.3	2.32	1.68	14.1	2.43	1.70	16.8	2.75	1.79	19.4	3.04	1.87	21.3	3.23	1.93	22.1	3.31	1.96	24.8	3.56	2.04
910	60	12.7	2.16	1.72	14.9	2.50	1.75	15.8	2.64	1.76	19.0	3.10	1.80	22.2	3.53	1.84	24.4	3.82	1.87	25.3	3.94	1.88	28.5	4.34	1.93
	70	12.1	2.12	1.68	14.2	2.41	1.73	15.1	2.53	1.75	18.0	2.91	1.81	20.9	3.27	1.88	23.0	3.50	1.93	23.9	3.60	1.95	26.8	3.90	2.02
	80	11.6	2.04	1.66	13.4	2.29	1.72	14.2	2.40	1.74	16.9	2.72	1.83	19.6	3.01	1.91	21.5	3.20	1.97	22.3	3.27	2.00	25.0	3.52	2.08

WSH2BE4M1SP30K with C7B(A,H)M03036(C,U)-B + TXV

		OUTDOOR TEMPERATURE (Deg. F)																							
CFM	Indoor T. Deg.F	10			17			20			30			40			47			50			60		
		MBH	COP	kW	MBH	COP	kW	MBH	COP	kW	MBH	COP	kW	MBH	COP	kW	MBH	COP	kW	MBH	COP	kW	MBH	COP	kW
880	60	14.2	2.25	1.86	17.1	2.64	1.89	18.3	2.81	1.91	22.3	3.34	1.96	26.3	3.85	2.01	29.2	4.18	2.04	30.4	4.33	2.06	34.4	4.79	2.11
	70	13.6	2.15	1.86	16.3	2.51	1.91	17.4	2.65	1.93	21.2	3.12	2.00	25.0	3.56	2.07	27.7	3.84	2.11	28.9	3.96	2.13	32.7	4.35	2.20
	80	13.0	2.04	1.88	15.5	2.36	1.93	16.6	2.49	1.96	20.2	2.91	2.03	23.8	3.30	2.11	26.3	3.56	2.17	27.3	3.66	2.19	30.9	4.00	2.27
980	60	14.3	2.21	1.90	17.2	2.61	1.93	18.4	2.77	1.94	22.5	3.31	1.99	26.6	3.82	2.04	29.5	4.17	2.07	30.7	4.31	2.09	34.8	4.78	2.13
	70	13.7	2.12	1.90	16.4	2.48	1.95	17.6	2.62	1.97	21.5	3.10	2.03	25.3	3.54	2.10	28.0	3.83	2.15	29.2	3.95	2.16	33.0	4.34	2.23
	80	13.1	2.01	1.91	15.7	2.34	1.97	16.8	2.47	1.99	20.4	2.89	2.07	24.1	3.28	2.15	26.6	3.54	2.20	27.7	3.65	2.23	31.3	3.99	2.31
1080	60	14.4	2.18	1.94	17.3	2.58	1.97	18.5	2.74	1.98	22.7	3.28	2.02	26.8	3.80	2.07	29.7	4.15	2.10	31.0	4.30	2.11	35.1	4.77	2.16
	70	13.9	2.10	1.94	16.6	2.46	1.98	17.8	2.61	2.00	21.7	3.08	2.06	25.6	3.52	2.13	28.3	3.82	2.17	29.5	3.94	2.19	33.4	4.34	2.26
	80	13.3	2.00	1.95	15.8	2.32	2.00	16.9	2.45	2.03	20.6	2.87	2.11	24.3	3.26	2.18	26.8	3.51	2.24	27.9	3.62	2.26	31.6	3.96	2.34

WSH2BE4M1SP36K with C7B(A,H)M03642(C,U)-B + TXV

		OUTDOOR TEMPERATURE (Deg. F)																							
CFM	Indoor T. Deg.F	10			17			20			30			40			47			50			60		
		MBH	COP	kW	MBH	COP	kW	MBH	COP	kW	MBH	COP	kW	MBH	COP	kW	MBH	COP	kW	MBH	COP	kW	MBH	COP	kW
990	60	18.3	2.47	2.17	21.3	2.81	2.22	22.5	2.95	2.24	26.8	3.40	2.31	31.0	3.82	2.38	34.0	4.10	2.43	35.3	4.22	2.45	39.5	4.60	2.52
	70	17.6	2.32	2.22	20.4	2.63	2.28	21.7	2.75	2.31	25.7	3.15	2.39	29.7	3.52	2.48	32.6	3.77	2.54	33.8	3.87	2.56	37.8	4.19	2.65
	80	17.1	2.18	2.29	19.7	2.45	2.36	20.9	2.57	2.39	24.7	2.92	2.48	28.5	3.25	2.57	31.1	3.47	2.63	32.3	3.56	2.66	36.1	3.84	2.75
1140	60	18.4	2.43	2.23	21.5	2.77	2.27	22.8	2.92	2.29	27.1	3.38	2.36	31.4	3.81	2.42	34.5	4.10	2.46	35.8	4.22	2.48	40.1	4.62	2.55
	70	17.8	2.29	2.28	20.7	2.60	2.34	21.9	2.73	2.36	26.0	3.13	2.44	30.1	3.51	2.52	33.0	3.77	2.57	34.3	3.87	2.60	38.4	4.21	2.67
	80	17.2	2.15	2.35	19.9	2.43	2.41	21.1	2.54	2.44	25.0	2.91	2.52	28.9	3.24	2.61	31.6	3.47	2.68	32.8	3.56	2.70	36.7	3.86	2.79
1290	60	18.6	2.39	2.28	21.6	2.74	2.32	23.0	2.88	2.34	27.4	3.35	2.40	31.8	3.79	2.46	34.9	4.09	2.50	36.2	4.22	2.52	40.6	4.62	2.58
	70	18.0	2.27	2.33	20.9	2.58	2.38	22.2	2.71	2.40	26.4	3.12	2.48	30.5	3.51	2.55	33.5	3.76	2.61	34.7	3.87	2.63	38.9	4.22	2.71
	80	17.4	2.13	2.40	20.2	2.41	2.46	21.4	2.52	2.48	25.3	2.89	2.57	29.2	3.23	2.65	32.0	3.46	2.71	33.2	3.55	2.74	37.1	3.85	2.83

14 SEER HEATING EXPANDED RATINGS - LOOSE COIL (CONTINUED)

WSH2BE4M1SP42K with C7B(A,H)M03642(C,U)-B + TXV

		OUTDOOR TEMPERATURE (Deg. F)																							
CFM	Indoor T. Deg.F	10			17			20			30			40			47			50			60		
		MBH	COP	kW	MBH	COP	kW	MBH	COP	kW	MBH	COP	kW	MBH	COP	kW	MBH	COP	kW	MBH	COP	kW	MBH	COP	kW
1125	60	21.9	2.48	2.59	25.7	2.81	2.69	27.4	2.94	2.73	32.8	3.36	2.87	38.3	3.74	3.01	42.2	3.98	3.11	43.8	4.08	3.15	49.3	4.40	3.29
	70	21.1	2.29	2.71	24.8	2.59	2.81	26.4	2.71	2.86	31.7	3.09	3.01	37.0	3.43	3.17	40.7	3.65	3.27	42.3	3.74	3.32	47.6	4.02	3.47
	80	20.6	2.12	2.84	24.1	2.39	2.96	25.7	2.50	3.01	30.7	2.84	3.17	35.8	3.14	3.34	39.3	3.34	3.45	40.9	3.42	3.50	45.9	3.67	3.67
1275	60	22.0	2.45	2.64	25.9	2.79	2.73	27.6	2.92	2.77	33.2	3.35	2.90	38.8	3.75	3.03	42.7	4.00	3.13	44.3	4.11	3.17	49.9	4.44	3.30
	70	21.3	2.27	2.75	25.1	2.58	2.85	26.7	2.70	2.90	32.1	3.09	3.04	37.4	3.44	3.19	41.2	3.67	3.29	42.8	3.76	3.34	48.2	4.06	3.48
	80	20.7	2.11	2.89	24.3	2.38	3.00	25.9	2.49	3.05	31.1	2.84	3.20	36.2	3.16	3.36	39.8	3.37	3.47	41.4	3.45	3.52	46.5	3.71	3.67
1425	60	22.1	2.42	2.68	26.1	2.76	2.77	27.8	2.90	2.81	33.4	3.34	2.94	39.1	3.74	3.06	43.1	4.01	3.15	44.8	4.11	3.19	50.5	4.45	3.32
	70	21.6	2.26	2.80	25.4	2.57	2.89	27.0	2.70	2.94	32.4	3.09	3.08	37.8	3.45	3.22	41.6	3.68	3.31	43.3	3.78	3.36	48.7	4.08	3.50
	80	20.9	2.09	2.93	24.6	2.37	3.04	26.1	2.49	3.08	31.4	2.84	3.23	36.6	3.17	3.38	40.2	3.38	3.49	41.8	3.47	3.53	47.0	3.74	3.69

WSH2BE4M1SP48K with C7B(A,H)M048(C,U)-C + TXV + VSB

		OUTDOOR TEMPERATURE (Deg. F)																							
CFM	Indoor T. Deg.F	10			17			20			30			40			47			50			60		
		MBH	COP	kW	MBH	COP	kW	MBH	COP	kW	MBH	COP	kW	MBH	COP	kW	MBH	COP	kW	MBH	COP	kW	MBH	COP	kW
1430	60	25.9	2.94	2.58	29.3	3.23	2.66	30.8	3.35	2.70	35.7	3.72	2.81	40.5	4.06	2.93	44.0	4.28	3.01	45.4	4.38	3.04	50.3	4.67	3.16
	70	25.1	2.73	2.69	28.4	2.99	2.78	29.8	3.10	2.82	34.5	3.43	2.95	39.2	3.74	3.08	42.5	3.93	3.17	43.9	4.02	3.21	48.6	4.28	3.33
	80	24.6	2.55	2.83	27.7	2.78	2.92	29.1	2.87	2.96	33.5	3.17	3.10	38.0	3.44	3.24	41.1	3.62	3.33	42.5	3.69	3.38	46.9	3.92	3.51
1630	60	26.2	2.91	2.64	29.7	3.20	2.71	31.2	3.33	2.75	36.1	3.71	2.85	41.1	4.07	2.96	44.6	4.31	3.04	46.1	4.41	3.07	51.1	4.72	3.18
	70	25.4	2.71	2.75	28.8	2.97	2.84	30.2	3.08	2.87	35.0	3.43	2.99	39.8	3.75	3.11	43.1	3.96	3.19	44.6	4.05	3.23	49.4	4.32	3.35
	80	24.8	2.52	2.89	28.0	2.76	2.98	29.4	2.86	3.02	34.0	3.17	3.15	38.6	3.46	3.27	41.8	3.64	3.36	43.2	3.72	3.40	47.8	3.97	3.53
1830	60	26.3	2.86	2.69	29.8	3.16	2.77	31.4	3.29	2.80	36.5	3.69	2.90	41.6	4.07	3.00	45.2	4.31	3.07	46.7	4.41	3.10	51.8	4.74	3.21
	70	25.7	2.68	2.81	29.1	2.96	2.89	30.6	3.07	2.92	35.5	3.42	3.04	40.3	3.76	3.15	43.7	3.97	3.23	45.2	4.06	3.26	50.1	4.35	3.37
	80	25.1	2.49	2.95	28.4	2.74	3.03	29.7	2.84	3.07	34.4	3.16	3.19	39.1	3.46	3.31	42.3	3.66	3.39	43.7	3.74	3.43	48.4	4.00	3.55

WSH2BE4M1SP60K with C7B(A,H)M060(C,U)-C + TXV + VSB

		OUTDOOR TEMPERATURE (Deg. F)																							
CFM	Indoor T. Deg.F	10			17			20			30			40			47			50			60		
		MBH	COP	kW	MBH	COP	kW	MBH	COP	kW	MBH	COP	kW	MBH	COP	kW	MBH	COP	kW	MBH	COP	kW	MBH	COP	kW
1345	60	31.2	2.54	3.61	36.5	2.84	3.76	38.7	2.97	3.82	46.2	3.35	4.04	53.7	3.70	4.26	58.9	3.92	4.41	61.2	4.01	4.47	68.7	4.29	4.69
	70	30.3	2.29	3.88	35.4	2.57	4.03	37.6	2.69	4.10	45.0	3.05	4.32	52.3	3.38	4.54	57.5	3.59	4.70	59.7	3.68	4.76	67.1	3.95	4.98
	80	29.8	2.09	4.17	34.8	2.35	4.33	36.9	2.46	4.40	44.1	2.79	4.64	51.2	3.08	4.87	56.2	3.28	5.03	58.3	3.36	5.10	65.5	3.60	5.33
1545	60	31.5	2.54	3.64	36.8	2.86	3.78	39.1	2.98	3.84	46.7	3.39	4.05	54.3	3.75	4.25	59.7	3.98	4.39	61.9	4.08	4.46	69.5	4.38	4.66
	70	30.6	2.30	3.90	35.8	2.59	4.05	38.1	2.71	4.11	45.5	3.09	4.32	52.9	3.43	4.53	58.1	3.65	4.67	60.4	3.74	4.74	67.8	4.02	4.94
	80	30.0	2.09	4.21	35.1	2.36	4.36	37.3	2.47	4.42	44.5	2.82	4.63	51.8	3.13	4.84	56.9	3.34	4.99	59.0	3.42	5.06	66.3	3.69	5.27
1745	60	31.5	2.52	3.67	36.9	2.84	3.81	39.3	2.98	3.87	47.0	3.39	4.07	54.8	3.77	4.27	60.3	4.01	4.41	62.6	4.11	4.47	70.4	4.42	4.67
	70	31.0	2.30	3.95	36.2	2.60	4.09	38.5	2.72	4.14	46.0	3.11	4.34	53.5	3.46	4.53	58.7	3.69	4.67	61.0	3.78	4.73	68.5	4.08	4.93
	80	30.3	2.09	4.24	35.4	2.37	4.38	37.6	2.48	4.44	45.0	2.84	4.64	52.3	3.17	4.84	57.4	3.38	4.98	59.6	3.47	5.03	66.9	3.75	5.23

14 SEER COOLING EXPANDED RATINGS - STANDARD AH

WSH2BE4M1SP18K with B6BMM024K-A

O.D.T			65°F			75°F			85°F			95°F			105°F			115°F		
CFM	E.D.B.	E.W.B.	T.C.	S.C.	K.W.	T.C.	S.C.	K.W.	T.C.	S.C.	K.W.	T.C.	S.C.	K.W.	T.C.	S.C.	K.W.	T.C.	S.C.	K.W.
525	80	62	18.0	14.6	0.99	17.0	14.4	1.10	16.2	14.5	1.22	15.3	14.2	1.35	14.54	14.29	1.50	13.63	13.40	1.66
	80	67	19.8	11.8	0.99	19.0	11.7	1.10	17.9	11.7	1.21	16.7	11.4	1.34	15.69	11.19	1.49	14.58	10.74	1.66
	80	72	22.1	9.1	1.00	21.2	9.1	1.10	20.1	9.2	1.21	19.0	9.0	1.34	17.55	8.73	1.48	16.15	8.84	1.64
	75	62	17.7	11.8	0.99	16.7	11.6	1.10	16.0	11.9	1.22	15.1	11.6	1.35	14.08	10.46	1.50	12.93	11.36	1.67
600	80	62	18.5	15.9	1.01	17.7	16.1	1.12	16.8	15.6	1.24	16.0	15.1	1.37	15.17	14.65	1.51	14.22	14.10	1.68
	80	67	20.4	12.6	1.02	19.4	12.9	1.12	18.4	12.6	1.23	17.1	12.6	1.36	16.01	12.55	1.51	14.84	12.50	1.68
	80	72	22.6	9.7	1.02	21.7	10.1	1.12	20.6	9.8	1.23	19.4	9.6	1.36	17.98	9.59	1.50	16.43	9.49	1.66
	75	62	18.3	13.0	1.01	17.4	13.2	1.12	16.3	12.8	1.24	15.4	12.6	1.37	14.42	12.53	1.52	13.26	12.38	1.69
675	80	62	19.1	17.2	1.04	18.4	17.1	1.14	17.5	16.4	1.26	16.6	15.7	1.38	15.68	15.15	1.53	14.70	14.64	1.70
	80	67	20.8	13.6	1.04	19.8	13.8	1.14	18.8	13.7	1.25	17.6	13.6	1.38	16.27	13.41	1.52	15.06	13.41	1.70
	80	72	23.1	10.4	1.04	22.1	10.6	1.14	21.0	10.3	1.25	19.8	10.2	1.38	18.32	10.11	1.52	16.63	10.06	1.68
	75	62	18.7	14.0	1.04	17.8	14.1	1.14	16.6	13.7	1.26	15.7	13.6	1.39	14.70	13.39	1.54	13.52	13.27	1.71

WSH2BE4M1SP24K with B6BMM024K-A

O.D.T			65°F			75°F			85°F			95°F			105°F			115°F		
CFM	E.D.B.	E.W.B.	T.C.	S.C.	K.W.	T.C.	S.C.	K.W.	T.C.	S.C.	K.W.	T.C.	S.C.	K.W.	T.C.	S.C.	K.W.	T.C.	S.C.	K.W.
700	80	62	24.0	19.2	1.33	23.1	19.1	1.47	22.2	19.2	1.61	21.2	19.0	1.77	20.11	19.74	1.94	19.05	18.70	2.15
	80	67	26.3	15.3	1.37	25.3	15.3	1.51	24.2	15.4	1.66	23.1	15.2	1.82	21.90	14.98	2.00	20.59	14.06	2.20
	80	72	28.9	11.9	1.42	27.8	11.8	1.57	26.7	12.1	1.72	25.4	11.9	1.89	24.12	11.70	2.07	22.72	12.02	2.28
	75	62	23.8	15.5	1.33	22.9	15.4	1.46	22.0	15.5	1.61	21.0	15.3	1.76	19.80	13.98	1.94	18.45	15.07	2.14
800	80	62	24.7	20.8	1.37	23.8	21.2	1.51	22.8	20.8	1.66	21.8	20.5	1.82	20.97	20.26	2.00	19.88	19.71	2.21
	80	67	26.9	16.4	1.42	25.8	16.9	1.56	24.7	16.5	1.71	23.6	16.3	1.87	22.32	16.37	2.04	20.96	16.39	2.24
	80	72	29.6	12.5	1.47	28.4	13.1	1.61	27.2	12.7	1.77	25.9	12.6	1.94	24.56	12.76	2.12	23.09	12.86	2.33
	75	62	24.4	16.6	1.37	23.4	17.0	1.51	22.5	16.6	1.65	21.4	16.4	1.81	20.28	16.83	1.98	18.97	16.77	2.18
900	80	62	25.2	22.5	1.41	24.4	22.6	1.56	23.6	22.0	1.71	22.7	21.5	1.87	21.65	20.92	2.05	20.54	20.45	2.26
	80	67	27.4	17.6	1.45	26.3	17.9	1.60	25.1	17.5	1.75	23.9	17.4	1.91	22.63	17.35	2.09	21.30	17.97	2.29
	80	72	30.1	13.4	1.51	28.9	13.7	1.66	27.6	13.4	1.81	26.3	13.4	1.98	24.87	13.38	2.17	23.37	13.58	2.37
	75	62	24.8	17.8	1.41	23.9	18.0	1.55	22.9	18.1	1.69	21.8	18.0	1.85	20.63	17.92	2.02	19.29	17.94	2.22

WSH2BE4M1SP30K with B6BMM030K-A

O.D.T			65°F			75°F			85°F			95°F			105°F			115°F		
CFM	E.D.B.	E.W.B.	T.C.	S.C.	K.W.	T.C.	S.C.	K.W.	T.C.	S.C.	K.W.	T.C.	S.C.	K.W.	T.C.	S.C.	K.W.	T.C.	S.C.	K.W.
875	80	62	30.0	24.0	1.69	28.9	23.9	1.85	27.6	24.0	2.04	26.3	23.6	2.25	24.95	24.53	2.48	23.68	23.27	2.76
	80	67	32.8	19.2	1.69	31.4	19.1	1.85	30.0	19.3	2.04	28.6	18.9	2.25	27.04	18.66	2.49	25.36	17.62	2.76
	80	72	36.0	14.8	1.69	34.5	14.7	1.85	33.0	15.1	2.04	31.4	14.8	2.25	29.75	14.54	2.49	27.93	14.90	2.76
	75	62	29.8	19.5	1.69	28.6	19.3	1.85	27.3	19.4	2.04	26.0	19.1	2.25	24.60	17.53	2.49	23.03	18.84	2.76
1000	80	62	30.8	25.9	1.73	29.6	26.4	1.90	28.3	25.9	2.09	27.1	25.5	2.29	25.90	25.03	2.53	24.54	24.33	2.81
	80	67	33.4	20.5	1.74	32.0	21.1	1.90	30.6	20.5	2.09	29.1	20.3	2.30	27.50	20.36	2.54	25.76	20.33	2.81
	80	72	36.7	15.6	1.73	35.2	16.3	1.89	33.6	15.9	2.09	32.0	15.7	2.30	30.21	15.85	2.54	28.30	15.94	2.81
	75	62	30.4	20.7	1.73	29.2	21.2	1.90	27.9	20.7	2.09	26.5	20.4	2.29	25.11	20.90	2.53	23.50	20.81	2.81
1125	80	62	31.5	28.1	1.78	30.3	28.1	1.95	29.3	27.3	2.13	28.0	26.6	2.34	26.70	25.80	2.58	25.25	25.14	2.86
	80	67	34.0	22.0	1.78	32.5	22.3	1.95	31.1	21.8	2.13	29.5	21.7	2.35	27.85	21.55	2.58	26.13	22.21	2.86
	80	72	37.3	16.8	1.78	35.7	17.1	1.95	34.1	16.6	2.13	32.3	16.7	2.34	30.51	16.62	2.59	28.56	16.84	2.86
	75	62	31.0	22.3	1.78	29.6	22.4	1.95	28.4	22.5	2.13	27.0	22.4	2.34	25.46	22.21	2.58	23.80	22.21	2.86

WSH2BE4M1SP36K with B6BMM042K-B

O.D.T			65°F			75°F			85°F			95°F			105°F			115°F		
CFM	E.D.B.	E.W.B.	T.C.	S.C.	K.W.	T.C.	S.C.	K.W.	T.C.	S.C.	K.W.	T.C.	S.C.	K.W.	T.C.	S.C.	K.W.	T.C.	S.C.	K.W.
1050	80	62	33.7	26.9	1.97	32.5	26.7	2.19	31.1	26.8	2.43	29.7	26.2	2.70	28.14	27.17	3.01	26.53	25.61	3.36
	80	67	36.6	22.3	1.98	35.3	22.2	2.20	33.7	22.4	2.45	32.1	21.9	2.72	30.41	21.58	3.03	28.57	20.13	3.38
	80	72	40.4	17.4	2.00	38.6	17.3	2.23	36.6	17.6	2.47	34.9	17.2	2.74	32.97	16.93	3.04	30.95	17.25	3.40
	75	62	33.3	22.6	1.96	32.0	22.4	2.19	30.7	22.4	2.43	29.2	21.9	2.70	27.64	20.15	3.00	25.93	21.56	3.36
1200	80	62	34.5	28.7	2.02	33.2	29.2	2.24	31.8	28.4	2.49	30.4	28.0	2.76	28.84	27.54	3.07	27.19	26.96	3.42
	80	67	37.4	23.8	2.03	35.9	24.4	2.26	34.3	23.8	2.50	32.7	23.4	2.77	30.87	23.32	3.08	28.99	23.23	3.43
	80	72	40.6	18.3	2.05	39.0	19.0	2.28	37.3	18.4	2.52	35.4	18.2	2.79	33.47	18.28	3.10	31.38	18.30	3.46
	75	62	34.0	23.8	2.02	32.7	24.4	2.24	31.2	23.7	2.48	29.7	23.4	2.75	28.10	23.24	3.06	26.35	23.04	3.41
1350	80	62	35.3	30.7	2.08	33.9	30.7	2.30	32.5	29.8	2.54	31.0	29.4	2.81	29.47	28.48	3.12	27.89	27.78	3.47
	80	67	38.0	25.5	2.08	36.5	25.6	2.31	34.9	25.0	2.56	33.1	24.8	2.83	31.28	24.58	3.13	29.31	24.58	3.49
	80	72	41.3	19.5	2.11	39.6	19.8	2.34	37.8	19.2	2.58	35.9	19.2	2.85	33.84	19.04	3.16	31.68	19.17	3.51
	75	62	34.5	25.5	2.07	33.2	25.7	2.30	31.7	25.0	2.54	30.1	24.8	2.81	28.43	24.44	3.12	26.64	24.30	3.47

14 SEER HEATING EXPANDED RATINGS - STANDARD AH (CONTINUED)

WSH2BE4M1SP42K with B6BMM042K-B

		OUTDOOR TEMPERATURE (Deg. F)																							
CFM	Indoor T. Deg.F	10			17			20			30			40			47			50			60		
		MBH	COP	kW	MBH	COP	kW	MBH	COP	kW	MBH	COP	kW	MBH	COP	kW	MBH	COP	kW	MBH	COP	kW	MBH	COP	kW
1125	60	21.0	2.39	2.58	24.9	2.75	2.65	26.6	2.90	2.69	32.1	3.38	2.79	37.7	3.81	2.90	41.6	4.10	2.97	43.3	4.22	3.01	48.8	4.60	3.11
	70	20.3	2.21	2.69	24.1	2.54	2.77	25.7	2.68	2.81	31.0	3.11	2.93	36.4	3.50	3.05	40.1	3.76	3.13	41.7	3.87	3.17	47.1	4.20	3.29
	80	19.8	2.05	2.82	23.4	2.35	2.91	24.9	2.47	2.95	30.0	2.86	3.08	35.2	3.22	3.20	38.8	3.45	3.29	40.3	3.55	3.33	45.4	3.85	3.46
1275	60	21.2	2.37	2.62	25.1	2.74	2.70	26.8	2.89	2.73	32.5	3.37	2.83	38.1	3.82	2.93	42.1	4.12	3.00	43.8	4.24	3.03	49.4	4.63	3.13
	70	20.5	2.20	2.74	24.3	2.53	2.82	25.9	2.67	2.85	31.4	3.11	2.96	36.8	3.51	3.07	40.6	3.78	3.15	42.2	3.89	3.19	47.7	4.24	3.30
	80	19.9	2.03	2.87	23.6	2.34	2.95	25.1	2.46	2.99	30.4	2.86	3.11	35.6	3.23	3.23	39.2	3.47	3.32	40.8	3.57	3.35	46.0	3.89	3.47
1425	60	21.3	2.34	2.67	25.3	2.71	2.73	27.0	2.86	2.76	32.7	3.36	2.86	38.5	3.81	2.96	42.5	4.12	3.03	44.2	4.24	3.06	50.0	4.65	3.15
	70	20.7	2.19	2.78	24.6	2.52	2.86	26.2	2.66	2.89	31.7	3.11	3.00	37.2	3.52	3.10	41.1	3.79	3.18	42.7	3.90	3.21	48.2	4.26	3.32
	80	20.1	2.02	2.91	23.8	2.33	2.99	25.4	2.46	3.03	30.7	2.86	3.14	35.9	3.23	3.26	39.6	3.48	3.34	41.2	3.58	3.37	46.5	3.91	3.49

WSH2BE4M1SP48K with B6BMM060K-C

		OUTDOOR TEMPERATURE (Deg. F)																							
CFM	Indoor T. Deg.F	10			17			20			30			40			47			50			60		
		MBH	COP	kW	MBH	COP	kW	MBH	COP	kW	MBH	COP	kW	MBH	COP	kW	MBH	COP	kW	MBH	COP	kW	MBH	COP	kW
1355	60	22.8	2.50	2.67	27.4	2.89	2.78	29.3	3.04	2.83	35.9	3.53	2.98	42.4	3.96	3.14	47.0	4.24	3.25	48.9	4.36	3.29	55.5	4.72	3.45
	70	22.0	2.30	2.80	26.5	2.66	2.92	28.4	2.80	2.97	34.7	3.24	3.14	41.1	3.64	3.31	45.5	3.90	3.43	47.4	4.00	3.48	53.8	4.33	3.65
	80	21.5	2.14	2.95	25.8	2.46	3.08	27.6	2.59	3.13	33.7	2.99	3.31	39.9	3.35	3.49	44.2	3.58	3.62	46.0	3.67	3.68	52.1	3.96	3.86
1555	60	23.0	2.48	2.73	27.7	2.87	2.83	29.7	3.03	2.87	36.3	3.53	3.02	43.0	3.98	3.16	47.6	4.28	3.27	49.6	4.40	3.31	56.3	4.78	3.46
	70	22.3	2.29	2.86	26.8	2.65	2.97	28.8	2.80	3.02	35.2	3.25	3.18	41.6	3.66	3.33	46.2	3.93	3.45	48.1	4.04	3.49	54.5	4.38	3.65
	80	21.7	2.11	3.01	26.1	2.44	3.13	27.9	2.58	3.18	34.2	2.99	3.35	40.4	3.37	3.52	44.8	3.61	3.64	46.7	3.71	3.69	52.9	4.02	3.86
1755	60	23.1	2.44	2.78	27.9	2.84	2.88	29.9	3.00	2.92	36.7	3.52	3.06	43.5	3.98	3.20	48.2	4.29	3.30	50.3	4.41	3.34	57.0	4.80	3.48
	70	22.6	2.28	2.92	27.2	2.64	3.02	29.1	2.79	3.07	35.7	3.25	3.22	42.2	3.68	3.37	46.8	3.95	3.47	48.7	4.06	3.52	55.2	4.42	3.67
	80	22.0	2.10	3.07	26.4	2.43	3.18	28.3	2.57	3.23	34.6	3.00	3.39	40.9	3.38	3.55	45.4	3.63	3.66	47.2	3.74	3.71	53.6	4.06	3.87

WSH2BE4M1SP60K B6BMM060K-C

		OUTDOOR TEMPERATURE (Deg. F)																							
CFM	Indoor T. Deg.F	10			17			20			30			40			47			50			60		
		MBH	COP	kW	MBH	COP	kW	MBH	COP	kW	MBH	COP	kW	MBH	COP	kW	MBH	COP	kW	MBH	COP	kW	MBH	COP	kW
1415	60	30.4	2.51	3.56	35.8	2.84	3.70	38.2	2.97	3.76	45.9	3.39	3.97	53.7	3.77	4.18	59.2	4.01	4.33	61.5	4.11	4.39	69.3	4.42	4.60
	70	29.4	2.26	3.82	34.8	2.57	3.97	37.1	2.70	4.03	44.7	3.09	4.24	52.4	3.45	4.46	57.7	3.68	4.61	60.0	3.77	4.67	67.7	4.06	4.88
	80	29.0	2.07	4.10	34.2	2.35	4.26	36.4	2.47	4.33	43.8	2.82	4.55	51.2	3.15	4.77	56.4	3.36	4.93	58.7	3.44	5.00	66.1	3.71	5.22
1615	60	30.7	2.51	3.59	36.2	2.85	3.73	38.6	2.99	3.79	46.5	3.42	3.98	54.4	3.82	4.18	59.9	4.07	4.31	62.2	4.18	4.37	70.1	4.50	4.57
	70	29.8	2.27	3.85	35.2	2.59	3.99	37.5	2.72	4.05	45.2	3.12	4.25	53.0	3.49	4.45	58.4	3.73	4.59	60.7	3.83	4.64	68.4	4.14	4.84
	80	29.2	2.07	4.14	34.5	2.36	4.28	36.7	2.48	4.35	44.3	2.85	4.55	51.8	3.20	4.75	57.1	3.42	4.90	59.3	3.51	4.96	66.9	3.80	5.16
1815	60	30.7	2.48	3.62	36.3	2.83	3.76	38.7	2.98	3.81	46.8	3.43	4.00	54.8	3.83	4.20	60.5	4.10	4.33	62.9	4.21	4.39	71.0	4.55	4.58
	70	30.2	2.27	3.89	35.6	2.60	4.02	38.0	2.73	4.08	45.7	3.14	4.27	53.5	3.52	4.45	59.0	3.77	4.59	61.3	3.87	4.64	69.1	4.20	4.83
	80	29.5	2.07	4.18	34.8	2.37	4.31	37.1	2.49	4.37	44.7	2.88	4.56	52.3	3.23	4.75	57.6	3.46	4.88	59.9	3.56	4.94	67.5	3.86	5.13

14 SEER COOLING EXPANDED RATINGS - ECM AH

WSH2BE4M1SP18K with B6EMMX24K-A

CFM	O.D.T		65°F			75°F			85°F			95°F			105°F			115°F		
	E.D.B.	E.W.B.	T.C.	S.C.	K.W.	T.C.	S.C.	K.W.	T.C.	S.C.	K.W.	T.C.	S.C.	K.W.	T.C.	S.C.	K.W.	T.C.	S.C.	K.W.
525	80	62	17.2	14.7	1.03	16.7	14.5	1.15	15.9	14.2	1.27	14.8	13.6	1.40	13.4	12.8	1.52	11.8	11.8*	1.64
	80	67	18.8	12.1	1.02	18.3	11.9	1.14	17.5	11.6	1.26	16.4	11.0	1.38	15.1	10.2	1.51	13.4	9.2	1.63
	80	72	20.4	9.4	1.01	19.9	9.3	1.13	19.1	8.9	1.25	18.0	8.4	1.37	16.7	7.6	1.49	15.0	6.6	1.62
	75	62	21.7	10.4	1.03	20.0	10.8	1.15	18.0	10.9	1.27	15.8	10.8	1.40	13.2	10.5	1.52	10.4	10.0	1.64
600	80	62	17.5	15.9	1.06	17.1	15.9	1.18	16.5	15.7	1.31	15.6	15.3	1.43	14.4	14.4*	1.55	12.9	12.9*	1.67
	80	67	19.1	13.3	1.05	18.8	13.3	1.17	18.1	13.1	1.29	17.2	12.7	1.42	16.0	12.1	1.54	14.5	11.2	1.66
	80	72	20.7	10.7	1.04	20.4	10.7	1.16	19.7	10.5	1.28	18.8	10.0	1.40	17.6	9.4	1.53	16.1	8.6	1.65
	75	62	22.0	11.7	1.06	20.5	12.1	1.18	18.7	12.4	1.31	16.6	12.5	1.43	14.2	12.3	1.55	11.5	11.5*	1.67
675	80	62	17.7	16.2	1.09	17.5	16.4	1.21	17.0	16.3	1.34	16.2	16.1	1.46	15.1	15.1*	1.58	13.8	13.8*	1.70
	80	67	19.3	13.6	1.08	19.1	13.8	1.20	18.6	13.7	1.32	17.8	13.5	1.45	16.8	13.0	1.57	15.4	12.3	1.69
	80	72	20.9	11.0	1.07	20.7	11.2	1.19	20.2	11.1	1.31	19.4	10.8	1.43	18.4	10.4	1.56	17.0	9.7	1.68
	75	62	22.2	12.0	1.09	20.8	12.6	1.21	19.1	13.1	1.34	17.2	13.3	1.46	14.9	13.3	1.58	12.4	12.4*	1.70

WSH2BE4M1SP24K with B6EMMX24K-A

CFM	O.D.T		65°F			75°F			85°F			95°F			105°F			115°F		
	E.D.B.	E.W.B.	T.C.	S.C.	K.W.	T.C.	S.C.	K.W.	T.C.	S.C.	K.W.	T.C.	S.C.	K.W.	T.C.	S.C.	K.W.	T.C.	S.C.	K.W.
700	80	62	24.1	20.3	1.24	22.9	19.9	1.37	21.8	19.4	1.53	20.6	18.9	1.73	19.5	18.4	1.98	18.3	17.9	2.26
	80	67	26.4	16.9	1.25	25.2	16.4	1.37	24.0	15.9	1.54	22.9	15.4	1.74	21.7	14.9	1.98	20.6	14.4	2.27
	80	72	28.6	13.4	1.26	27.5	12.9	1.38	26.3	12.4	1.55	25.1	11.9	1.75	24.0	11.4	1.99	22.8	10.9	2.27
	75	62	24.0	17.1	1.24	22.9	16.6	1.36	21.7	16.1	1.53	20.6	15.6	1.73	19.4	15.2	1.97	18.2	14.7	2.25
800	80	62	24.5	21.5	1.29	23.3	21.0	1.41	22.2	20.5	1.58	21.0	20.0	1.78	19.8	19.5	2.02	18.7	18.7*	2.30
	80	67	26.7	18.0	1.29	25.6	17.5	1.42	24.4	17.0	1.58	23.3	16.5	1.79	22.1	16.0	2.03	20.9	15.5	2.31
	80	72	29.0	14.5	1.30	27.9	14.0	1.43	26.7	13.5	1.59	25.5	13.0	1.79	24.4	12.5	2.04	23.2	12.1	2.32
	75	62	24.4	18.2	1.28	23.3	17.7	1.41	22.1	17.2	1.57	20.9	16.8	1.77	19.8	16.3	2.02	18.6	15.8	2.30
900	80	62	24.9	22.6	1.33	23.7	22.1	1.46	22.5	21.6	1.62	21.4	21.1	1.82	20.2	20.2*	2.07	19.1	19.1*	2.35
	80	67	27.1	19.1	1.34	26.0	18.6	1.46	24.8	18.1	1.63	23.7	17.6	1.83	22.5	17.2	2.07	21.3	16.7	2.36
	80	72	29.4	15.6	1.35	28.2	15.1	1.47	27.1	14.6	1.64	25.9	14.2	1.84	24.8	13.7	2.08	23.6	13.2	2.36
	75	62	24.8	19.3	1.32	23.6	18.9	1.45	22.5	18.4	1.61	21.3	17.9	1.82	20.2	17.4	2.06	19.0	16.9	2.34

WSH2BE4M1SP30K with B6EMMX30K-A

CFM	O.D.T		65°F			75°F			85°F			95°F			105°F			115°F		
	E.D.B.	E.W.B.	T.C.	S.C.	K.W.	T.C.	S.C.	K.W.	T.C.	S.C.	K.W.	T.C.	S.C.	K.W.	T.C.	S.C.	K.W.	T.C.	S.C.	K.W.
875	80	62	29.3	25.1	1.49	27.6	24.4	1.64	25.9	23.6	1.83	24.2	22.8	2.04	22.5	22.1	2.28	20.8	20.8*	2.55
	80	67	31.9	21.6	1.50	30.2	20.9	1.66	28.5	20.1	1.85	26.8	19.4	2.06	25.0	18.6	2.30	23.3	17.8	2.56
	80	72	35.3	16.8	1.52	33.6	16.0	1.68	31.9	15.3	1.86	30.2	14.5	2.08	28.4	13.8	2.32	26.7	13.0	2.58
	75	62	28.5	21.0	1.45	26.8	20.3	1.61	25.1	19.5	1.79	23.3	18.8	2.00	21.6	18.0	2.24	19.9	17.2	2.51
1000	80	62	30.0	26.3	1.60	28.3	25.5	1.76	26.6	24.7	1.94	24.9	24.0	2.16	23.2	23.2*	2.40	21.5	21.5*	2.66
	80	67	32.6	22.8	1.62	30.8	22.0	1.78	29.1	21.3	1.96	27.4	20.5	2.17	25.7	19.7	2.41	24.0	19.0	2.68
	80	72	36.0	18.0	1.64	34.3	17.2	1.80	32.5	16.4	1.98	30.8	15.7	2.19	29.1	14.9	2.43	27.4	14.1	2.70
	75	62	29.2	22.2	1.57	27.4	21.4	1.73	25.7	20.7	1.91	24.0	19.9	2.12	22.3	19.1	2.36	20.6	18.4	2.63
1125	80	62	30.7	27.4	1.72	29.0	26.7	1.88	27.3	25.9	2.06	25.6	25.1	2.27	23.9	23.9*	2.51	22.2	22.2*	2.78
	80	67	33.2	23.9	1.74	31.5	23.2	1.90	29.8	22.4	2.08	28.1	21.6	2.29	26.4	20.9	2.53	24.7	20.1	2.80
	80	72	36.6	19.1	1.76	34.9	18.3	1.91	33.2	17.6	2.10	31.5	16.8	2.31	29.8	16.0	2.55	28.1	15.3	2.82
	75	62	29.8	23.3	1.69	28.1	22.6	1.84	26.4	21.8	2.03	24.7	21.0	2.24	23.0	20.3	2.48	21.3	19.5	2.75

WSH2BE4M1SP36K with B6EMMX36K-B

CFM	O.D.T		65°F			75°F			85°F			95°F			105°F			115°F		
	E.D.B.	E.W.B.	T.C.	S.C.	K.W.	T.C.	S.C.	K.W.	T.C.	S.C.	K.W.	T.C.	S.C.	K.W.	T.C.	S.C.	K.W.	T.C.	S.C.	K.W.
1050	80	62	35.9	28.9	1.98	34.5	28.7	2.18	33.0	28.7	2.40	31.4	28.2	2.66	29.8	29.1	2.96	28.1	27.5	3.30
	80	67	39.1	23.9	2.00	37.4	23.7	2.20	35.8	23.9	2.42	34.0	23.4	2.68	32.2	23.0	2.97	30.2	21.6	3.31
	80	72	43.1	18.4	2.02	41.3	18.3	2.23	39.3	18.7	2.45	37.1	18.3	2.70	34.9	18.0	2.99	32.8	18.3	3.33
	75	62	35.5	24.1	1.98	34.1	23.8	2.18	32.6	24.0	2.40	31.0	23.5	2.66	29.3	21.6	2.96	27.5	23.2	3.30
1200	80	62	36.9	31.1	2.02	35.4	31.6	2.21	33.9	30.8	2.44	32.3	30.2	2.70	30.7	29.6	2.99	29.1	28.8	3.33
	80	67	39.9	25.5	2.03	38.2	26.2	2.23	36.5	25.4	2.46	34.7	25.1	2.71	32.8	25.1	3.01	30.8	25.0	3.35
	80	72	43.6	19.5	2.05	41.5	20.3	2.26	39.6	19.7	2.48	37.6	19.4	2.74	35.5	19.5	3.03	33.3	19.5	3.37
	75	62	36.3	25.7	2.01	34.8	26.2	2.21	33.3	25.6	2.44	31.7	25.2	2.69	29.9	25.1	2.99	28.0	24.9	3.33
1350	80	62	37.7	33.3	2.05	36.2	33.3	2.25	34.6	32.3	2.47	33.2	31.5	2.73	31.6	30.5	3.03	29.9	29.8	3.37
	80	67	40.6	27.4	2.07	38.9	27.6	2.27	37.1	26.9	2.49	35.2	26.8	2.75	33.3	26.6	3.04	31.2	26.6	3.38
	80	72	44.1	20.9	2.09	42.2	21.2	2.29	40.2	20.6	2.52	38.1	20.5	2.77	36.0	20.4	3.06	33.7	20.5	3.40
	75	62	37.0	27.6	2.05	35.5	27.8	2.24	33.9	27.1	2.47	32.2	26.9	2.72	30.4	26.5	3.02	28.5	26.4	3.36

14 SEER COOLING EXPANDED RATINGS - ECM AH (CONTINUED)

WSH2BE4M1SP42K with B6EMMX42K-B

CFM	O.D.T		65°F			75°F			85°F			95°F			105°F			115°F		
	EDB	EWB	T.C.	S.C.	K.W.	T.C.	S.C.	K.W.	T.C.	S.C.	K.W.	T.C.	S.C.	K.W.	T.C.	S.C.	K.W.	T.C.	S.C.	K.W.
1225	80	62	41.9	33.4	2.41	40.5	33.2	2.62	38.8	33.3	2.87	37.0	32.7	3.17	35.1	34.1	3.51	33.2	32.2	3.90
	80	67	45.9	27.6	2.43	44.1	27.5	2.64	42.2	27.7	2.89	40.2	27.2	3.19	38.1	26.9	3.53	35.9	25.1	3.92
	80	72	50.6	21.3	2.45	48.6	21.2	2.66	46.4	21.7	2.93	44.1	21.3	3.22	41.7	21.0	3.56	39.1	21.5	3.94
	75	62	41.7	28.0	2.41	40.2	27.7	2.62	38.5	27.9	2.87	36.7	27.4	3.17	34.8	25.3	3.51	32.7	27.1	3.89
1400	80	62	43.1	35.9	2.45	41.5	36.5	2.67	39.7	35.6	2.91	37.9	35.1	3.21	36.1	34.6	3.55	34.2	33.9	3.94
	80	67	46.9	29.5	2.47	45.1	30.3	2.68	43.1	29.6	2.93	41.0	29.3	3.23	38.8	29.3	3.57	36.5	29.2	3.96
	80	72	51.5	22.5	2.48	49.4	23.6	2.71	47.0	22.9	2.96	44.6	22.7	3.26	42.2	22.8	3.60	39.7	22.9	3.98
	75	62	42.6	29.8	2.45	41.0	30.4	2.66	39.3	29.7	2.91	37.4	29.3	3.21	35.4	29.2	3.55	33.3	29.1	3.93
1575	80	62	44.1	38.5	2.49	42.4	38.6	2.70	40.7	37.5	2.96	38.8	36.9	3.25	37.1	35.8	3.59	35.2	35.1	3.98
	80	67	47.7	31.8	2.51	45.8	32.2	2.72	43.8	31.4	2.97	41.6	31.1	3.27	39.4	30.9	3.61	37.0	31.1	4.00
	80	72	52.0	24.2	2.53	49.9	24.7	2.74	47.7	24.0	3.00	45.3	24.0	3.30	42.8	23.9	3.64	40.2	24.2	4.02
	75	62	43.5	31.9	2.49	41.8	32.2	2.70	40.0	31.4	2.95	38.0	31.2	3.25	36.0	30.9	3.59	33.8	30.9	3.97

WSH2BE4M1SP48K with B6EMMX48K-C

CFM	O.D.T		65°F			75°F			85°F			95°F			105°F			115°F		
	EDB	EWB	T.C.	S.C.	K.W.	T.C.	S.C.	K.W.	T.C.	S.C.	K.W.	T.C.	S.C.	K.W.	T.C.	S.C.	K.W.	T.C.	S.C.	K.W.
1400	80	62	47.9	37.9	2.67	45.8	37.4	2.95	43.7	37.5	3.22	41.5	36.7	3.55	39.3	38.2	3.92	37.0	36.0	4.33
	80	67	52.4	31.3	2.70	49.8	30.9	2.98	47.6	31.2	3.25	45.2	30.5	3.57	42.7	30.0	3.94	40.0	28.0	4.36
	80	72	57.8	24.3	2.74	54.9	24.1	3.01	52.2	24.5	3.28	49.3	24.0	3.60	46.3	23.5	3.97	43.5	24.0	4.38
	75	62	47.7	31.7	2.67	45.5	31.3	2.95	43.4	31.4	3.22	41.2	30.7	3.55	38.9	28.3	3.92	36.4	30.2	4.33
1600	80	62	49.2	40.6	2.72	46.8	41.1	3.00	44.7	40.1	3.28	42.5	39.4	3.60	40.2	38.8	3.97	38.1	37.8	4.38
	80	67	53.6	33.4	2.75	50.9	34.1	3.04	48.5	33.2	3.30	46.0	32.8	3.62	43.5	32.8	3.99	40.7	32.7	4.41
	80	72	58.7	25.7	2.78	55.4	26.6	3.06	52.8	25.8	3.33	50.0	25.4	3.65	47.2	25.5	4.02	44.2	25.5	4.43
	75	62	48.8	33.8	2.73	46.4	34.4	3.00	44.3	33.5	3.27	42.0	32.8	3.60	39.6	32.6	3.97	37.1	32.4	4.38
1800	80	62	50.2	43.6	2.78	47.9	43.5	3.05	45.7	42.2	3.33	43.5	41.3	3.65	41.4	40.0	4.02	39.2	39.1	4.44
	80	67	54.6	35.9	2.80	51.8	36.1	3.08	49.3	35.2	3.35	46.8	35.0	3.67	44.0	34.7	4.04	41.3	34.6	4.46
	80	72	59.4	27.5	2.83	56.3	27.8	3.11	53.6	26.9	3.38	50.7	26.8	3.70	47.8	26.6	4.06	44.8	26.8	4.47
	75	62	49.7	36.3	2.77	47.3	36.2	3.05	45.0	35.2	3.32	42.6	34.9	3.65	40.1	34.5	4.02	37.6	34.4	4.43

WSH2BE4M1SP60K with B6EMMX60K-C

CFM	O.D.T		65°F			75°F			85°F			95°F			105°F			115°F		
	EDB	EWB	T.C.	S.C.	K.W.	T.C.	S.C.	K.W.	T.C.	S.C.	K.W.	T.C.	S.C.	K.W.	T.C.	S.C.	K.W.	T.C.	S.C.	K.W.
1400	80	62	58.9	40.6	3.62	56.3	40.0	4.02	54.0	40.2	4.40	51.5	39.4	4.83	49.0	41.4	5.33	46.2	39.0	5.91
	80	67	65.1	34.4	3.70	61.9	33.9	4.10	59.2	34.2	4.47	56.3	33.5	4.90	53.3	33.0	5.40	50.3	30.7	5.97
	80	72	71.9	27.7	3.79	68.4	27.3	4.19	65.5	27.8	4.56	62.5	27.2	5.00	59.3	26.7	5.51	56.3	27.6	6.20
	75	62	58.9	34.8	3.62	56.0	34.3	4.02	53.6	34.5	4.39	51.2	33.7	4.82	48.6	31.2	5.32	45.8	33.4	5.90
1550	80	62	60.6	42.7	3.68	57.8	43.4	4.08	55.4	42.3	4.45	52.8	41.7	4.88	50.1	41.6	5.38	47.2	41.4	5.96
	80	67	66.7	36.0	3.75	63.3	36.9	4.15	60.2	35.9	4.51	57.4	35.4	4.95	54.4	35.4	5.45	51.3	35.4	6.03
	80	72	73.6	28.7	3.85	70.0	29.9	4.25	67.0	28.8	4.62	63.9	28.6	5.05	60.8	28.9	5.70	57.3	29.1	6.26
	75	62	60.3	36.5	3.67	57.4	37.2	4.07	54.9	36.1	4.44	52.4	35.5	4.87	49.7	35.4	5.37	46.8	35.2	5.95
1700	80	62	62.2	45.4	3.73	59.1	45.4	4.13	56.6	44.3	4.50	53.9	44.0	4.93	51.1	43.6	5.43	48.1	43.6	6.01
	80	67	67.8	38.3	3.80	64.3	38.5	4.20	61.5	37.3	4.57	58.6	37.1	5.00	55.5	36.8	5.50	52.5	37.1	6.19
	80	72	75.2	30.4	3.91	71.4	30.9	4.30	68.2	29.8	4.67	64.9	29.9	5.10	61.8	29.9	5.76	58.1	30.4	6.31
	75	62	61.7	38.7	3.72	58.7	38.7	4.12	56.2	37.6	4.49	53.5	37.3	4.92	50.7	36.9	5.42	47.7	36.9	6.00

14 SEER HEATING EXPANDED RATINGS - ECM AH

WSH2BE4M1SP18K with B6EMMX24K-A

CFM	Indoor T. Deg. F	OUTDOOR TEMPERATURE (Deg. F)																							
		10			17			20			30			40			47			50			60		
		MBH	COP	KW	MBH	COP	KW	MBH	COP	KW	MBH	COP	KW	MBH	COP	KW	MBH	COP	KW	MBH	COP	KW	MBH	COP	KW
560	60	7.5	1.93	1.06	9.1	2.35	1.09	9.8	2.53	1.10	12.2	3.07	1.15	14.7	3.56	1.19	16.5	3.86	1.22	17.3	3.98	1.23	20.0	4.36	1.28
	70	7.1	1.67	1.20	8.7	2.07	1.23	9.4	2.24	1.24	11.8	2.75	1.29	14.3	3.20	1.33	16.2	3.48	1.36	16.9	3.60	1.37	19.6	3.94	1.42
	80	6.7	1.42	1.34	8.3	1.80	1.37	9.0	1.95	1.39	11.5	2.43	1.43	14.0	2.85	1.47	15.8	3.11	1.50	16.6	3.21	1.52	19.2	3.52	1.56
660	60	7.9	2.00	1.09	9.5	2.43	1.12	10.2	2.60	1.13	12.7	3.14	1.17	15.2	3.63	1.22	17.0	3.94	1.25	17.8	4.06	1.26	20.4	4.43	1.30
	70	7.5	1.75	1.23	9.2	2.15	1.26	9.9	2.31	1.27	12.3	2.82	1.32	14.8	3.28	1.36	16.6	3.56	1.39	17.4	3.67	1.40	20.0	4.01	1.45
	80	7.1	1.49	1.37	8.8	1.87	1.40	9.5	2.03	1.42	11.9	2.50	1.46	14.4	2.92	1.50	16.2	3.18	1.53	17.0	3.29	1.55	19.7	3.59	1.59
760	60	8.3	2.09	1.12	10.0	2.52	1.15	10.7	2.69	1.16	13.1	3.23	1.20	15.6	3.72	1.25	17.4	4.03	1.28	18.2	4.15	1.29	20.9	4.52	1.33
	70	8.0	1.84	1.26	9.6	2.24	1.29	10.3	2.40	1.30	12.7	2.91	1.35	15.2	3.37	1.39	17.0	3.65	1.42	17.8	3.76	1.43	20.5	4.10	1.48
	80	7.6	1.58	1.40	9.2	1.96	1.43	9.9	2.12	1.45	12.3	2.59	1.49	14.8	3.01	1.53	16.6	3.27	1.56	17.4	3.37	1.57	20.1	3.68	1.62

WSH2BE4M1SP24K with B6EMMX24K-A

CFM	Indoor T. Deg. F	OUTDOOR TEMPERATURE (Deg. F)																							
		10			17			20			30			40			47			50			60		
		MBH	COP	KW	MBH	COP	KW	MBH	COP	KW	MBH	COP	KW	MBH	COP	KW	MBH	COP	KW	MBH	COP	KW	MBH	COP	KW
710	60	11.2	2.52	1.31	13.3	2.89	1.35	14.2	3.03	1.36	17.0	3.44	1.42	19.4	3.76	1.48	20.9	3.93	1.52	21.5	3.99	1.54	23.3	4.12	1.60
	70	11.0	2.14	1.50	13.2	2.51	1.54	14.1	2.65	1.56	16.8	3.07	1.62	19.2	3.39	1.68	20.7	3.55	1.72	21.3	3.61	1.73	23.1	3.74	1.79
	80	10.8	1.77	1.70	13.0	2.13	1.74	13.9	2.28	1.76	16.6	2.69	1.81	19.1	3.01	1.87	20.6	3.18	1.91	21.2	3.24	1.93	23.0	3.37	1.99
810	60	11.2	2.53	1.32	13.4	2.89	1.36	14.2	3.04	1.37	17.0	3.45	1.43	19.4	3.77	1.49	20.9	3.94	1.53	21.5	4.00	1.55	23.3	4.13	1.61
	70	11.0	2.15	1.51	13.2	2.52	1.55	14.1	2.66	1.57	16.8	3.08	1.63	19.3	3.40	1.69	20.8	3.56	1.73	21.4	3.62	1.74	23.2	3.75	1.80
	80	10.9	1.78	1.71	13.0	2.14	1.75	13.9	2.29	1.77	16.7	2.70	1.82	19.1	3.02	1.88	20.6	3.19	1.92	21.2	3.24	1.94	23.0	3.38	2.00
910	60	11.2	2.54	1.33	13.4	2.90	1.37	14.3	3.05	1.39	17.0	3.46	1.44	19.4	3.78	1.50	20.9	3.95	1.54	21.5	4.01	1.56	23.3	4.14	1.62
	70	11.0	2.16	1.52	13.2	2.53	1.56	14.1	2.67	1.58	16.9	3.09	1.64	19.3	3.40	1.70	20.8	3.57	1.74	21.4	3.63	1.76	23.2	3.76	1.81
	80	10.9	1.79	1.72	13.1	2.15	1.76	13.9	2.29	1.78	16.7	2.71	1.83	19.1	3.03	1.89	20.6	3.20	1.93	21.2	3.25	1.95	23.0	3.38	2.01

WSH2BE4M1SP30K with B6EMMX30K-A

CFM	Indoor T. Deg. F	OUTDOOR TEMPERATURE (Deg. F)																							
		10			17			20			30			40			47			50			60		
		MBH	COP	KW	MBH	COP	KW	MBH	COP	KW	MBH	COP	KW	MBH	COP	KW	MBH	COP	KW	MBH	COP	KW	MBH	COP	KW
940	60	14.4	2.86	1.41	16.6	3.21	1.50	17.6	3.35	1.55	21.1	3.77	1.68	24.9	4.14	1.82	27.7	4.36	1.91	28.9	4.44	1.96	33.2	4.68	2.09
	70	13.7	2.40	1.61	15.9	2.75	1.71	16.9	2.89	1.75	20.4	3.31	1.88	24.1	3.68	2.02	26.9	3.89	2.12	28.2	3.98	2.16	32.5	4.22	2.29
	80	13.0	1.94	1.81	15.2	2.29	1.91	16.2	2.42	1.95	19.7	2.85	2.09	23.4	3.21	2.22	26.2	3.43	2.32	27.4	3.52	2.36	31.8	3.76	2.50
1040	60	14.9	2.81	1.42	17.1	3.16	1.51	18.1	3.30	1.55	21.6	3.73	1.69	25.3	4.09	1.83	28.1	4.31	1.92	29.4	4.40	1.96	33.7	4.64	2.10
	70	14.2	2.35	1.62	16.4	2.70	1.71	17.4	2.84	1.75	20.8	3.27	1.89	24.6	3.63	2.03	27.4	3.85	2.12	28.6	3.93	2.16	32.9	4.18	2.30
	80	13.4	1.89	1.82	15.6	2.24	1.91	16.6	2.38	1.96	20.1	2.81	2.09	23.9	3.17	2.23	26.7	3.39	2.32	27.9	3.47	2.37	32.2	3.71	2.50
1140	60	15.3	2.76	1.42	17.6	3.11	1.52	18.5	3.25	1.56	22.0	3.68	1.70	25.8	4.04	1.83	28.6	4.26	1.93	29.8	4.35	1.97	34.1	4.59	2.10
	70	14.6	2.30	1.62	16.8	2.65	1.72	17.8	2.79	1.76	21.3	3.22	1.90	25.0	3.58	2.03	27.8	3.80	2.13	29.1	3.89	2.17	33.4	4.13	2.31
	80	13.9	1.84	1.83	16.1	2.19	1.92	17.1	2.33	1.96	20.6	2.76	2.10	24.3	3.12	2.24	27.1	3.34	2.33	28.4	3.42	2.37	32.7	3.67	2.51

WSH2BE4M1SP36K with B6EMMX36K-B

CFM	Indoor T. Deg. F	OUTDOOR TEMPERATURE (Deg. F)																							
		10			17			20			30			40			47			50			60		
		MBH	COP	KW	MBH	COP	KW	MBH	COP	KW	MBH	COP	KW	MBH	COP	KW	MBH	COP	KW	MBH	COP	KW	MBH	COP	KW
990	60	17.2	2.56	1.82	20.1	2.99	1.88	21.3	3.17	1.90	25.4	3.69	1.99	29.2	4.14	2.07	31.9	4.41	2.13	33.0	4.51	2.15	36.5	4.80	2.23
	70	16.3	2.29	2.07	19.2	2.67	2.13	20.5	2.83	2.16	24.5	3.29	2.24	28.4	3.67	2.32	31.0	3.89	2.38	32.1	3.97	2.40	35.6	4.19	2.48
	80	15.4	2.01	2.32	18.3	2.35	2.38	19.6	2.48	2.41	23.6	2.88	2.49	27.5	3.19	2.57	30.1	3.37	2.63	31.2	3.43	2.65	34.7	3.59	2.73
1140	60	18.3	2.65	1.86	21.3	3.08	1.92	22.5	3.26	1.94	26.5	3.78	2.02	30.4	4.23	2.10	33.0	4.50	2.16	34.1	4.60	2.19	37.7	4.89	2.27
	70	17.4	2.38	2.11	20.4	2.76	2.17	21.6	2.91	2.19	25.6	3.38	2.27	29.5	3.76	2.36	32.1	3.98	2.41	33.2	4.06	2.44	36.8	4.28	2.52
	80	16.5	2.10	2.36	19.5	2.44	2.42	20.7	2.57	2.44	24.7	2.97	2.52	28.6	3.28	2.61	31.2	3.46	2.66	32.3	3.52	2.69	35.9	3.68	2.77
1290	60	19.5	2.75	1.89	22.4	3.19	1.95	23.7	3.36	1.98	27.7	3.89	2.06	31.5	4.33	2.14	34.2	4.60	2.20	35.3	4.70	2.22	38.8	4.99	2.30
	70	18.6	2.48	2.14	21.5	2.86	2.20	22.8	3.02	2.23	26.8	3.48	2.31	30.7	3.86	2.39	33.3	4.08	2.45	34.4	4.16	2.47	37.9	4.38	2.55
	80	17.7	2.20	2.40	20.6	2.54	2.45	21.9	2.67	2.48	25.9	3.07	2.56	29.8	3.38	2.64	32.4	3.56	2.70	33.5	3.62	2.72	37.0	3.78	2.81

14 SEER HEATING EXPANDED RATINGS - ECM AH (CONTINUED)

WSH2BE4M1SP42K with B6EMMX42K-B

CFM		OUTDOOR TEMPERATURE (Deg. F)																							
		10			17			20			30			40			47			50			60		
		Indoor T. Deg. F	MBH	COP	KW	MBH	COP	KW	MBH	COP	KW	MBH	COP	KW	MBH	COP	KW	MBH	COP	KW	MBH	COP	KW		
1055	60	20.3	2.62	2.23	23.5	2.86	2.34	24.9	2.96	2.39	29.8	3.28	2.55	34.8	3.56	2.71	38.5	3.75	2.83	40.1	3.83	2.88	45.6	4.07	3.04
	70	20.0	2.23	2.56	23.2	2.51	2.67	24.6	2.62	2.72	29.5	2.99	2.88	34.5	3.33	3.05	38.2	3.56	3.16	39.8	3.65	3.21	45.3	3.95	3.37
	80	19.7	1.83	2.89	22.9	2.15	3.00	24.3	2.28	3.05	29.2	2.70	3.21	34.2	3.10	3.38	37.9	3.36	3.49	39.5	3.47	3.54	45.0	3.82	3.70
1205	60	20.3	2.68	2.24	23.6	2.92	2.35	25.0	3.02	2.40	29.9	3.33	2.56	34.9	3.62	2.73	38.6	3.81	2.84	40.2	3.89	2.89	45.7	4.13	3.05
	70	20.0	2.29	2.57	23.3	2.56	2.69	24.7	2.68	2.73	29.5	3.05	2.90	34.6	3.39	3.06	38.3	3.62	3.17	39.9	3.71	3.22	45.3	4.00	3.38
	80	19.7	1.89	2.90	23.0	2.21	3.02	24.4	2.34	3.07	29.2	2.76	3.23	34.3	3.16	3.39	38.0	3.42	3.50	39.6	3.53	3.55	45.0	3.88	3.71
1355	60	20.4	2.75	2.25	23.7	2.99	2.37	25.1	3.08	2.42	29.9	3.40	2.58	35.0	3.69	2.74	38.7	3.88	2.85	40.3	3.95	2.90	45.7	4.19	3.06
	70	20.1	2.35	2.58	23.4	2.63	2.70	24.8	2.74	2.75	29.6	3.11	2.91	34.7	3.45	3.07	38.3	3.68	3.18	39.9	3.77	3.23	45.4	4.07	3.39
	80	19.8	1.96	2.92	23.0	2.27	3.03	24.5	2.40	3.08	29.3	2.82	3.24	34.4	3.22	3.40	38.0	3.49	3.51	39.6	3.59	3.56	45.1	3.94	3.72

WSH2BE4M1SP48K with B6EMMX48K-C

CFM		OUTDOOR TEMPERATURE (Deg. F)																							
		10			17			20			30			40			47			50			60		
		Indoor T. Deg. F	MBH	COP	KW	MBH	COP	KW	MBH	COP	KW	MBH	COP	KW	MBH	COP	KW	MBH	COP	KW	MBH	COP	KW		
1310	60	23.6	2.67	2.41	27.4	2.97	2.56	29.0	3.08	2.62	34.5	3.42	2.84	40.1	3.67	3.05	44.0	3.80	3.20	45.7	3.84	3.27	51.4	3.93	3.48
	70	23.0	2.33	2.62	26.8	2.65	2.77	28.4	2.78	2.83	33.9	3.14	3.05	39.4	3.42	3.26	43.4	3.57	3.41	45.1	3.62	3.48	50.8	3.74	3.69
	80	22.4	1.99	2.82	26.1	2.33	2.98	27.8	2.47	3.04	33.3	2.86	3.26	38.8	3.17	3.47	42.7	3.34	3.62	44.4	3.40	3.69	50.1	3.55	3.90
1510	60	24.7	2.82	2.55	28.5	3.13	2.70	30.1	3.24	2.76	35.6	3.58	2.98	41.1	3.83	3.20	45.1	3.96	3.35	46.8	4.00	3.41	52.5	4.09	3.63
	70	24.1	2.49	2.76	27.8	2.81	2.91	29.5	2.93	2.97	35.0	3.30	3.19	40.5	3.58	3.40	44.4	3.73	3.56	46.1	3.78	3.62	51.8	3.90	3.84
	80	23.4	2.15	2.97	27.2	2.49	3.12	28.8	2.62	3.18	34.3	3.02	3.40	39.9	3.33	3.61	43.8	3.50	3.76	45.5	3.56	3.83	51.2	3.70	4.05
1710	60	25.8	3.00	2.69	29.5	3.31	2.84	31.2	3.42	2.91	36.6	3.76	3.12	42.2	4.01	3.34	46.1	4.14	3.49	47.8	4.18	3.55	53.5	4.27	3.77
	70	25.1	2.67	2.90	28.9	2.99	3.05	30.5	3.11	3.12	36.0	3.48	3.33	41.6	3.76	3.55	45.5	3.91	3.70	47.2	3.96	3.76	52.9	4.08	3.98
	80	24.5	2.33	3.11	28.3	2.67	3.26	29.9	2.81	3.33	35.4	3.20	3.54	40.9	3.51	3.76	44.9	3.68	3.91	46.6	3.74	3.97	52.3	3.88	4.19

WSH2BE4M1SP60K with B6EMMX60K-C

CFM		OUTDOOR TEMPERATURE (Deg. F)																							
		10			17			20			30			40			47			50			60		
		Indoor T. Deg. F	MBH	COP	KW	MBH	COP	KW	MBH	COP	KW	MBH	COP	KW	MBH	COP	KW	MBH	COP	KW	MBH	COP	KW		
1345	60	31.2	2.54	3.60	36.4	2.85	3.75	38.7	2.97	3.81	46.2	3.36	4.03	53.7	3.71	4.25	58.9	3.93	4.40	61.2	4.02	4.46	68.7	4.30	4.68
	70	30.2	2.29	3.87	35.4	2.58	4.02	37.6	2.70	4.09	44.9	3.06	4.31	52.3	3.39	4.53	57.5	3.60	4.68	59.7	3.68	4.75	67.0	3.95	4.97
	80	29.7	2.10	4.16	34.7	2.36	4.32	36.9	2.46	4.39	44.0	2.79	4.62	51.2	3.09	4.85	56.2	3.28	5.02	58.3	3.36	5.09	65.5	3.61	5.32
1545	60	31.5	2.54	3.63	36.8	2.86	3.77	39.1	2.99	3.83	46.7	3.39	4.04	54.3	3.75	4.24	59.6	3.99	4.38	61.9	4.08	4.44	69.5	4.39	4.65
	70	30.6	2.30	3.89	35.8	2.60	4.04	38.0	2.72	4.10	45.5	3.09	4.31	52.9	3.44	4.52	58.1	3.66	4.66	60.3	3.75	4.72	67.8	4.03	4.93
	80	30.0	2.09	4.19	35.0	2.37	4.34	37.2	2.48	4.41	44.5	2.82	4.62	51.7	3.14	4.83	56.8	3.35	4.98	59.0	3.43	5.04	66.3	3.70	5.26
1745	60	31.5	2.52	3.66	36.9	2.85	3.80	39.2	2.98	3.86	47.0	3.40	4.06	54.8	3.77	4.26	60.2	4.02	4.40	62.5	4.11	4.46	70.3	4.43	4.66
	70	31.0	2.31	3.94	36.2	2.61	4.07	38.5	2.73	4.13	46.0	3.11	4.33	53.5	3.47	4.52	58.7	3.69	4.66	61.0	3.79	4.72	68.5	4.09	4.91
	80	30.3	2.10	4.23	35.4	2.38	4.37	37.6	2.49	4.43	44.9	2.85	4.63	52.2	3.18	4.82	57.4	3.39	4.96	59.6	3.48	5.02	66.9	3.76	5.22



GENERAL TERMS OF LIMITED WARRANTY

Nortek Global HVAC, LLC will furnish a replacement for any part of this product which fails in normal use and service within the terms and conditions of the warranty.

For complete details of the Limited Warranty, including applicable terms and conditions, see your local installer or contact the Nortek Global HVAC, LLC warranty department for a copy.

Before purchasing this appliance, read important energy cost and efficiency information available from your retailer. Specifications and illustrations subject to change without notice and without incurring obligations. Printed in U.S.A (04/2019)