

## Q7RE Series

### Single Packaged Heat Pump, Single Phase

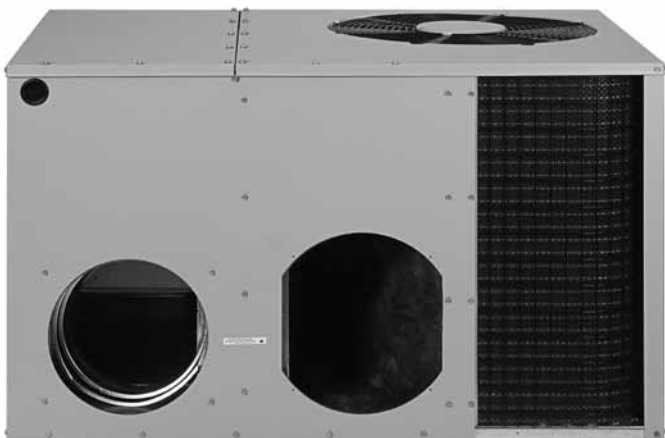
14 SEER, 8.0 HSPF

2 thru 5 Ton Units

Cooling: 23,400 to 55,500 Btuh

Heating: 21,800 to 56,000 Btuh

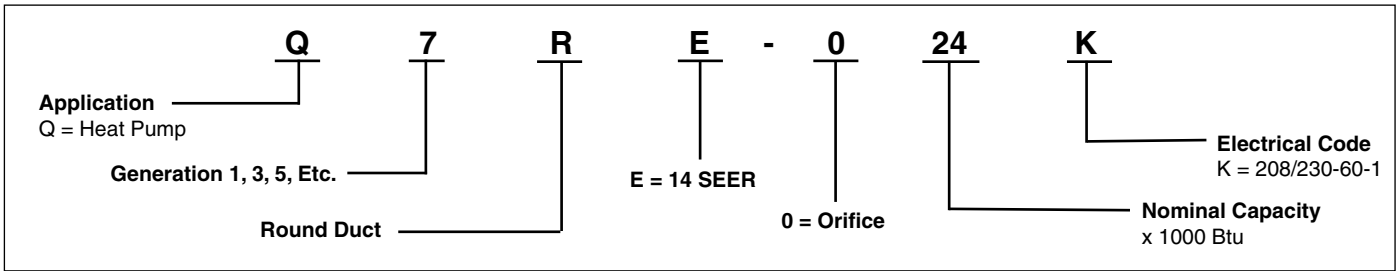
The Q7 Series single packaged heat pumps are high efficiency self contained cooling and heating units that can be installed on a slab. Units are ETL and ETLc listed.



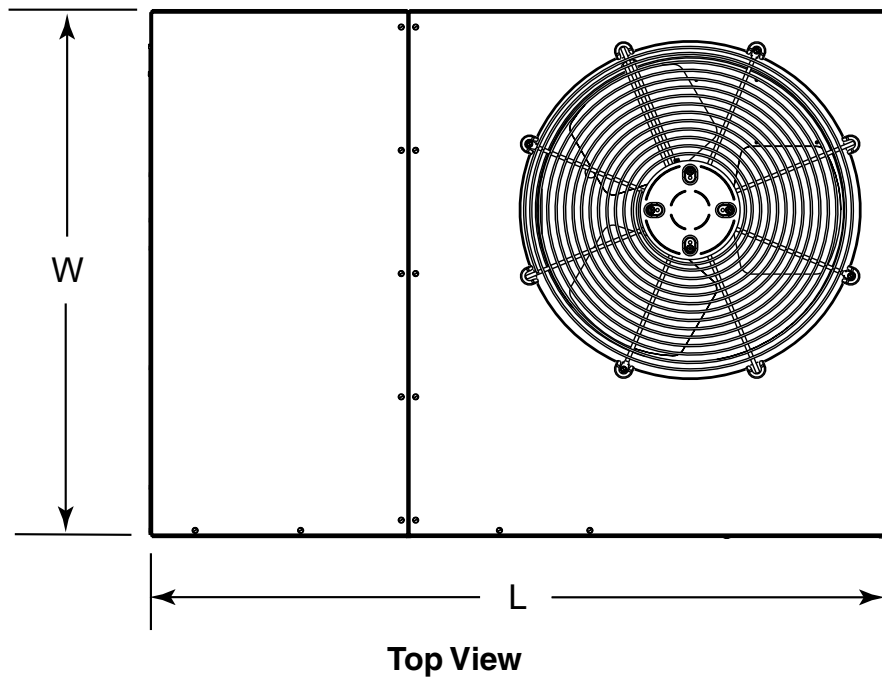
## FEATURES and BENEFITS

- **First in Industry Patented Hot Gas Defrost:** Ensures complete, worry-free defrost.
- **Quality Compressor:** State of the art compressor is standard equipment.
- **Hi/Low Pressure Switches:** Ensure long compressor life.
- **All Aluminum Coils:** Provides high corrosion resistance, lower refrigerant volume.
- **Designed Using Galvanized Steel:** With a polyester urethane coat finish. The 950 hour salt spray finish is 1.5 mil thick and resists corrosion 50% better than comparable units.
- **Compact Footprint and Profile:** Make the Q7 Series easy to transport and install.
- **0" Clearance:** To combustibles on duct side of the unit allows for installations in tight areas.
- **Wire Guard Coated with Earth Friendly Epoxy and Plastic Mesh Hail Guard:** A guard that will never rust and protects the unit's coil from being damaged.
- **Raised Base Pan:** Allows water to drain away from away from the unit.
- **Easy Compressor and Control Access:** Designed to make servicing easier for the contractor, access panels are provided to all controls and the compressor from the side of the unit.
- **Easy Access:** To the evaporator coil and blower assembly for cleaning and general maintenance.
- **Removable Top Grille Assembly:** Allows ease of service to the fan motor.
- **Five Minute Restart Time Delay:** When the units shuts down, a five minute delay keeps the unit from restarting, eliminating the highest cause of compressor failure.
- **Liquid Line Filter Drier:** Factory installed at a convenient location for service.
- **Accessible Service Valves:** Simplify servicing of the refrigeration system.
- **Suction Accumulator:** Provides protection from liquid flood back and future compressor failures.
- **Permanently Lubricated Condenser Motor:** A heavy duty PSC motor for long lasting reliability and quiet operation.
- **Low Voltage Transformer:** Includes 3 Amp fuse to protect low voltage circuit.
- **Drain Trap Included:** Design optimizes drainage capabilities.
- **Outdoor Thermostat:** Is standard equipment.
- **Optional Electric Heat:** Field installed 5 – 20 KW.

# MODEL IDENTIFICATION CODE

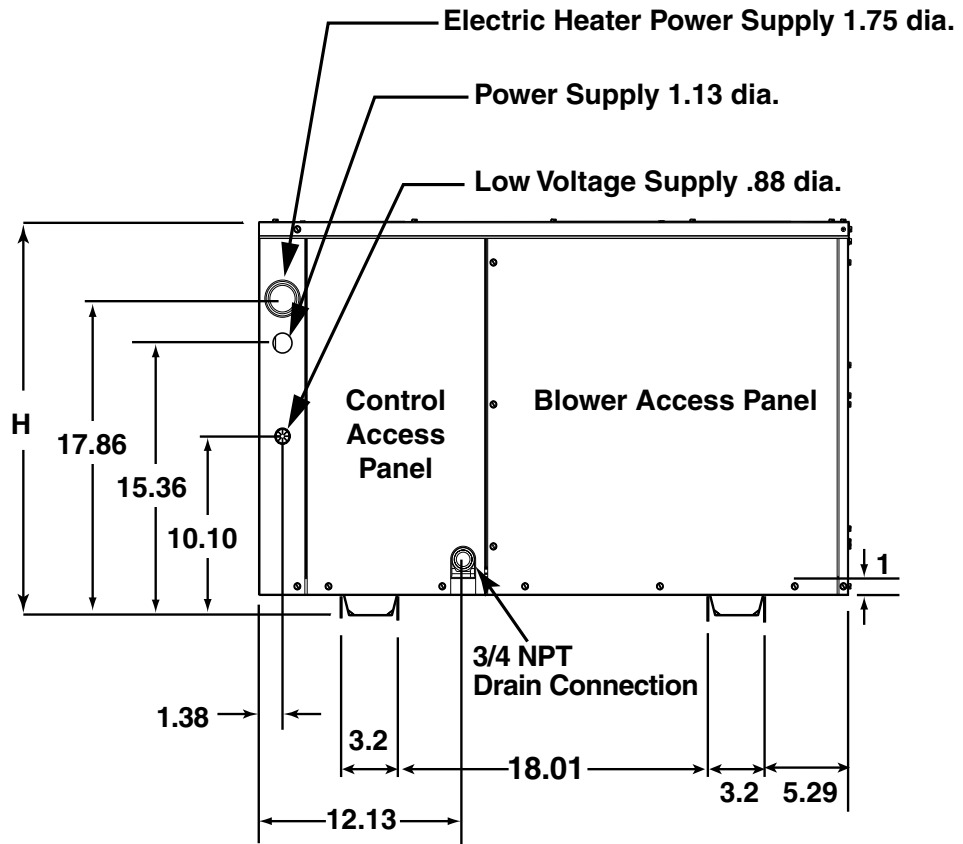


## DIMENSIONS (all in lbs. and inches)



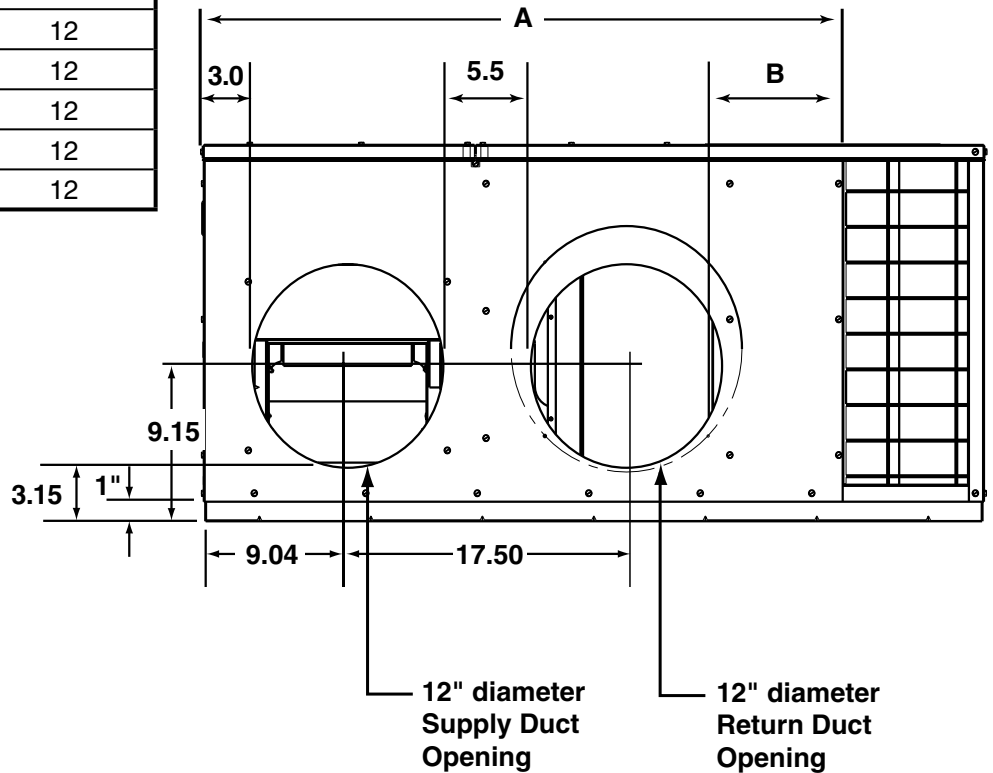
| Model No.<br>Q7RE | Weight   |     | (L)<br>Length | (W)<br>Width | (H)<br>Height | A     | B    |
|-------------------|----------|-----|---------------|--------------|---------------|-------|------|
|                   | Shipping | Net |               |              |               |       |      |
| 024K              | 277      | 263 | 49            | 35           | 30.2          | 35.02 | 2.48 |
| 030K              | 281      | 267 | 49            | 35           | 30.2          | 35.02 | 2.48 |
| 036K              | 277      | 263 | 49            | 35           | 30.2          | 35.02 | 2.48 |
| 042K              | 288      | 274 | 49            | 35           | 30.2          | 35.02 | 2.48 |
| 048K              | 346      | 330 | 63            | 35           | 38.2          | 35.02 | 2.48 |
| 060K              | 375      | 359 | 63            | 35           | 38.2          | 35.02 | 2.48 |

**DIMENSIONS Continued (all in inches)**



**Side View**

| Model Number<br>Q7RE- | Suggested<br>Return<br>Diameter | Supply<br>Diameter |
|-----------------------|---------------------------------|--------------------|
| 024K                  | 14                              | 12                 |
| 030K                  | 14                              | 12                 |
| 036K                  | 14                              | 12                 |
| 042K                  | 14                              | 12                 |
| 048K                  | 14                              | 12                 |
| 060K                  | 14                              | 12                 |



**Back (Duct) View**

# PHYSICAL SPECIFICATIONS

## Q7RE Models

| Model No. Q7RE-                              | 024K       | 030K       | 036K       | 042K       | 048K       | 060K       |
|--|------------|------------|------------|------------|------------|------------|
| <b>System Heating and Cooling Capacities</b> |            |            |            |            |            |            |
| Cooling Btuh                                 | 23,400     | 28,600     | 34,600     | 41,300     | 48,000     | 55,500     |
| SEER   | 14         | 14         | 14         | 14         | 14         | 14         |
| EER  | 11         | 11         | 11         | 11         | 11         | 11         |
| Heating Btuh                                 | 21,800     | 27,400     | 34,800     | 39,000     | 48,000     | 56,000     |
| HSPF   | 8          | 8          | 8          | 8          | 8          | 8          |
| <b>Electric Rating — 60 Hz (a)</b>           |            |            |            |            |            |            |
| Operating Voltage Range                      | 187 - 253  | 187 - 253  | 187 - 253  | 187 - 253  | 187 - 253  | 187 - 253  |
| Min. Circuit Ampacity (a)                    | 15.3       | 17.3       | 28.2       | 31.9       | 37.3       | 42.2       |
| Delay Fuse — Max. (b)                        | 20         | 25         | 45         | 50         | 60         | 60         |
| Total Unit — AMPS                            | 13.2       | 14.8       | 23.5       | 26.9       | 31.2       | 35.6       |
| <b>Compressor</b>                            |            |            |            |            |            |            |
| Volts  | 208 - 230  | 208 - 230  | 208 - 230  | 208 - 230  | 208 - 230  | 208 - 230  |
| Rated Load Amps                              | 8.3        | 9.9        | 18.6       | 20         | 24.3       | 26.4       |
| Lock Rotor Amps                              | 50         | 69         | 79         | 112        | 117        | 152.5      |
| <b>Condenser Motor</b>                       |            |            |            |            |            |            |
| Fan Motor — HP - RPM                         | 1/8 - 1100 | 1/8 - 1100 | 1/8 - 1100 | 1/4 - 1100 | 1/4 - 1100 | 1/2 - 1100 |
| Fan Motor — Amps                             | 1.1        | 1.1        | 1.1        | 1.5        | 1.5        | 3.8        |
| Fan Dia. — CFM                               | 20" - 2800 | 20" - 2800 | 20" - 2800 | 20" - 3000 | 24" - 4000 | 24" - 4000 |
| <b>Evaporator Motor</b>                      |            |            |            |            |            |            |
| Blower Motor — HP - ECM                      | 1/2        | 1/2        | 1/2        | 3/4        | 3/4        | 3/4        |
| Blower Motor — Amps                          | 3.8        | 3.8        | 3.8        | 5.4        | 5.4        | 5.4        |
| <b>Refrigerant (R410-A) — Oz.</b>            |            |            |            |            |            |            |
|  | 69         | 71         | 64         | 84         | 101        | 121        |
| <b>Net Weight -- lbs</b>                     |            |            |            |            |            |            |
|  | 263        | 267        | 263        | 274        | 330        | 359        |
| <b>Shipping Weight -- lbs</b>                |            |            |            |            |            |            |
|  | 277        | 281        | 277        | 288        | 346        | 375        |
| <b>Sound Ratings</b>                         |            |            |            |            |            |            |
|  | 74         | 74         | 74         | 76         | 79         | 79         |

- (a) Amperage and wire size based on refrigeration system only with 60° C wire, 50 ft. length. See Electrical Data tables for supplemental electric heaters. Refer to National Electric Code for additional derating factors for field installed conductors.
- (b) Use time delay fuse or "HACR" type circuit breaker.

## ACCESSORIES

| Description                           | Part Number |
|---------------------------------------|-------------|
| 4-Pole single circuit adaptor         | 913350      |
| 6-Pole single circuit adaptor         | 913556      |
| Circuit Breaker Single Phase (2-pole) | 913554      |
| Duct collars - 12"                    | 917701      |
| Duct collars - 14"                    | 917702      |

| COPPER WIRE SIZE — AWG<br>(1% Voltage Drop) |     |     |    |                            |
|---|-----|-----|----|----------------------------|
| Supply Wire Length-Feet                     |     |     |    | Supply Circuit<br>Ampacity |
| 200   | 150 | 100 | 50 |                            |
| 6   | 8   | 10  | 14 | 15                         |
| 4   | 6   | 8   | 12 | 20                         |
| 4   | 6   | 8   | 10 | 25                         |
| 4   | 4   | 6   | 10 | 30                         |
| 3   | 4   | 6   | 8  | 35                         |
| 3   | 4   | 6   | 8  | 40                         |
| 2   | 3   | 4   | 6  | 45                         |
| 2   | 3   | 4   | 6  | 50                         |

Wire Size based on N.E.C. for 60° type copper conductors.

# AIR FLOW DATA

| Model Number<br>Q7RE- | Motor Tap | External Static Pressure Drop (in WC) |      |      |      |      |      |      |      |
|-----------------------|-----------|---------------------------------------|------|------|------|------|------|------|------|
|                       |           | 0.1                                   | 0.2  | 0.3  | 0.4  | 0.5  | 0.6  | 0.7  | 0.8  |
| 024K                  | T1*       | 930                                   | 875  | 818  | 761  | 704  | 645  | 585  | 525  |
|                       | T2        | 1158                                  | 1119 | 1076 | 1028 | 977  | 921  | 861  | 796  |
|                       | T3**      | 1308                                  | 1271 | 1230 | 1185 | 1136 | 1084 | 1027 | 967  |
|                       | T4        | 1440                                  | 1406 | 1368 | 1326 | 1281 | 1232 | 1179 | 1122 |
|                       | T5        | 1622                                  | 1587 | 1550 | 1510 | 1467 | 1422 | 1373 | 1323 |
| 030K                  | T1        | 930                                   | 875  | 818  | 761  | 704  | 645  | 585  | 525  |
|                       | T2*       | 1158                                  | 1119 | 1076 | 1028 | 977  | 921  | 861  | 796  |
|                       | T3**      | 1308                                  | 1271 | 1230 | 1185 | 1136 | 1084 | 1027 | 967  |
|                       | T4        | 1440                                  | 1406 | 1368 | 1326 | 1281 | 1232 | 1179 | 1122 |
|                       | T5        | 1622                                  | 1587 | 1550 | 1510 | 1467 | 1422 | 1373 | 1323 |
| 036K                  | T1        | 1158                                  | 1119 | 1076 | 1028 | 977  | 921  | 861  | 796  |
|                       | T2        | 1308                                  | 1271 | 1230 | 1185 | 1136 | 1084 | 1027 | 967  |
|                       | T3*       | 1366                                  | 1332 | 1291 | 1245 | 1192 | 1132 | 1067 | 995  |
|                       | T4**      | 1518                                  | 1481 | 1442 | 1400 | 1355 | 1307 | 1256 | 1202 |
|                       | T5        | 1686                                  | 1644 | 1601 | 1556 | 1509 | 1460 | 1410 | 1358 |
| 042K                  | T1        | 1339                                  | 1297 | 1254 | 1210 | 1166 | 1121 | 1075 | 1029 |
|                       | T2**      | 1459                                  | 1422 | 1383 | 1342 | 1300 | 1256 | 1211 | 1164 |
|                       | T3*       | 1569                                  | 1530 | 1491 | 1451 | 1410 | 1368 | 1325 | 1282 |
|                       | T4        | 1709                                  | 1674 | 1638 | 1601 | 1562 | 1521 | 1479 | 1436 |
|                       | T5        | 1820                                  | 1785 | 1748 | 1710 | 1671 | 1630 | 1589 | 1545 |
| 048K                  | T1**      | 1418                                  | 1385 | 1351 | 1316 | 1279 | 1242 | 1203 | 1163 |
|                       | T2        | 1530                                  | 1500 | 1467 | 1433 | 1396 | 1358 | 1318 | 1275 |
|                       | T3*       | 1679                                  | 1645 | 1611 | 1576 | 1541 | 1505 | 1469 | 1432 |
|                       | T4        | 1787                                  | 1757 | 1726 | 1693 | 1658 | 1621 | 1582 | 1542 |
|                       | T5        | 2006                                  | 1973 | 1939 | 1905 | 1870 | 1834 | 1798 | 1761 |
| 060K                  | T1        | 1147                                  | 1102 | 1053 | 1001 | 945  | 886  | 824  | 758  |
|                       | T2        | 1645                                  | 1602 | 1557 | 1512 | 1466 | 1420 | 1372 | 1324 |
|                       | T3*       | 2131                                  | 2090 | 2047 | 2001 | 1954 | 1906 | 1855 | 1802 |
|                       | T4**      | 2182                                  | 2144 | 2104 | 2063 | 2020 | 1976 | 1930 | 1882 |
|                       | T5        | 1921                                  | 2014 | 2084 | 2129 | 2152 | 2150 | 2125 | 2077 |

**NOTES:**

\* Denotes Air Flow Setting for cooling & heating

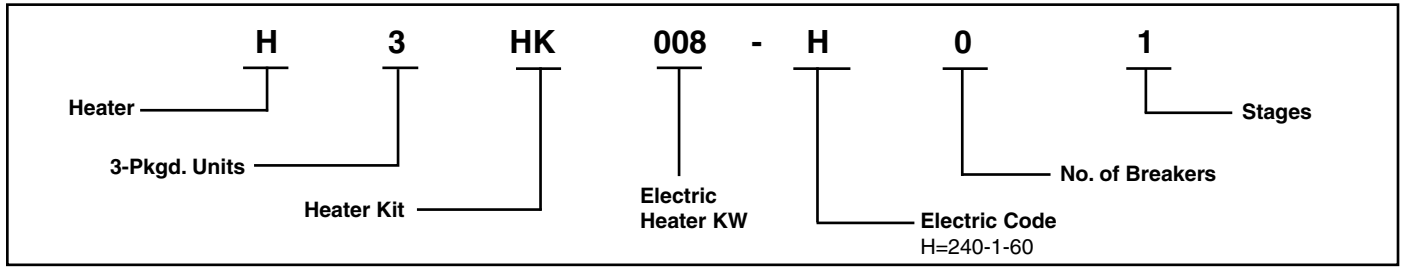
\*\* Denotes Air Flow setting for electric heating (based on 10 KW heater)

Airflow performance is with a dry coil.

# ELECTRIC HEAT SELECTION

| Model Number<br>Q7RE- | Heater kW     | MCA   | MOP   | Circuit A<br>(Compressor,<br>Blower & Fan) |     | Circuit B<br>(Heater Only) |     | Circuit C<br>(Heater Only) |     |
|-----------------------|---------------|-------|-------|--|-----|----------------------------|-----|----------------------------|-----|
|                       |               |       |       | MCA  | MOP | MCA                        | MOP | MCA                        | MOP |
| 024K                  | 0             | 15.3  | 20.0  | -  | -   | -                          | -   | -                          | -   |
|                       | 5             | 40.3  | 45.0  | -  | -   | -                          | -   | -                          | -   |
|                       | 8             | 54.9  | 60.0  | 15.3                                       | 20  | 39.6                       | 40  | -                          | -   |
|                       | 10            | 65.3  | 70.0  | 15.3                                       | 20  | 50                         | 60  | -                          | -   |
| 030K                  | 0             | 17.3  | 25.0  | -  | -   | -                          | -   | -                          | -   |
|                       | 5             | 42.3  | 45.0  | -  | -   | -                          | -   | -                          | -   |
|                       | 8             | 56.9  | 60.0  | 17.3                                       | 25  | 39.6                       | 40  | -                          | -   |
|                       | 10            | 67.3  | 70.0  | 17.3                                       | 25  | 50                         | 60  | -                          | -   |
|                       | 15            | 92.3  | 100   | 42.3                                       | 45  | 50                         | 60  | -                          | -   |
| 036K                  | 0             | 28.2  | 45.0  | -  | -   | -                          | -   | -                          | -   |
|                       | 5             | 53.2  | 60.0  | -  | -   | -                          | -   | -                          | -   |
|                       | 8             | 67.7  | 70.0  | 28.2                                       | 45  | 39.6                       | 40  | -                          | -   |
|                       | 10            | 78.2  | 80.0  | 28.2                                       | 45  | 50                         | 60  | -                          | -   |
|                       | 15            | 103.2 | 110   | 53.2                                       | 60  | 50                         | 60  | -                          | -   |
| 042K                  | 0             | 31.9  | 50.0  | -  | -   | -                          | -   | -                          | -   |
|                       | 5             | 56.9  | 70.0  | -  | -   | -                          | -   | -                          | -   |
|                       | 8             | 71.5  | 80.0  | 31.9                                       | 50  | 39.6                       | 40  | -                          | -   |
|                       | 10            | 81.9  | 90.0  | 31.9                                       | 50  | 50                         | 60  | -                          | -   |
|                       | 15            | 106.9 | 110   | 56.9                                       | 70  | 50                         | 60  | -                          | -   |
|                       | 20            | 131.9 | 150   | -  | -   | -                          | -   | -                          | -   |
|                       | 20(3 circuit) | -     | -     | 31.9                                       | 50  | 50                         | 60  | 50                         | 60  |
| 048K                  | 0             | 37.3  | 60.0  | -  | -   | -                          | -   | -                          | -   |
|                       | 5             | 62.3  | 80.0  | -  | -   | -                          | -   | -                          | -   |
|                       | 8             | 76.9  | 90.0  | 37.3                                       | 60  | 39.6                       | 40  | -                          | -   |
|                       | 10            | 87.3  | 100.0 | 37.3                                       | 60  | 50                         | 60  | -                          | -   |
|                       | 15            | 112.3 | 125   | 62.3                                       | 80  | 50                         | 60  | -                          | -   |
|                       | 20            | 137.3 | 150   | -  | -   | -                          | -   | -                          | -   |
|                       | 20(3 circuit) | -     | -     | 37.3                                       | 60  | 50                         | 60  | 50                         | 60  |
| 060K                  | 0             | 42.2  | 60.0  | -  | -   | -                          | -   | -                          | -   |
|                       | 5             | 67.2  | 80.0  | -  | -   | -                          | -   | -                          | -   |
|                       | 8             | 81.8  | 100.0 | 42.2                                       | 60  | 39.6                       | 40  | -                          | -   |
|                       | 10            | 92.2  | 100.0 | 42.2                                       | 60  | 50                         | 60  | -                          | -   |
|                       | 15            | 117.2 | 125   | 67.2                                       | 80  | 50                         | 60  | -                          | -   |
|                       | 20            | 142.2 | 150   | -  | -   | -                          | -   | -                          | -   |
|                       | 20(3 circuit) | -     | -     | 42.2                                       | 60  | 50                         | 60  | 50                         | 60  |

# MODEL IDENTIFICATION CODE



| Q7RE Heater Kit Application Matrix |            |                  |                        |          |
|------------------------------------|------------|------------------|------------------------|----------|
| Tonnage                            | Nominal kW | Heater Kit Model | Heater Kit Part Number | Breakers |
| 024K                               | 5          | H3HK005H-01B     | 917166B                | None     |
|                                    | 8          | H3HK008H-01B     | 917167B                | 2        |
|                                    | 10         | H3HK010H-01B     | 917168B                | 2        |
| 030K                               | 5          | H3HK005H-01B     | 917166B                | None     |
|                                    | 8          | H3HK008H-01B     | 917167B                | 2        |
|                                    | 10         | H3HK010H-01B     | 917168B                | 2        |
|                                    | 15         | H3HK015H-01B     | 917169B                | 2        |
|                                    | 15         | H3HK015H-21B     | 917172B                | None     |
| 036K                               | 5          | H3HK005H-01B     | 917166B                | None     |
|                                    | 8          | H3HK008H-01B     | 917167B                | 2        |
|                                    | 10         | H3HK010H-01B     | 917168B                | 2        |
|                                    | 15         | H3HK015H-01B     | 917169B                | 2        |
|                                    | 15         | H3HK015H-21B     | 917172B                | None     |
| 042K                               | 5          | H3HK005H-01B     | 917166B                | None     |
|                                    | 8          | H3HK008H-01B     | 917167B                | 2        |
|                                    | 10         | H3HK010H-01B     | 917168B                | 2        |
|                                    | 15         | H3HK015H-01B     | 917169B                | 2        |
|                                    | 15         | H3HK015H-21B     | 917172B                | None     |
|                                    | 20         | H3HK020H-01B     | 917170B                | 3        |
|                                    | 20         | H3HK020H-21B     | 917173B                | 1        |
| 048K                               | 5          | H3HK005H-01B     | 917166B                | 2        |
|                                    | 8          | H3HK008H-01B     | 917167B                | 2        |
|                                    | 10         | H3HK010H-01B     | 917168B                | 2        |
|                                    | 15         | H3HK015H-01B     | 917169B                | 2        |
|                                    | 15         | H3HK015H-21B     | 917172B                | None     |
|                                    | 20         | H3HK020H-01B     | 917170B                | 3        |
|                                    | 20         | H3HK020H-21B     | 917173B                | 1        |
| 060K                               | 5          | H3HK005H-01B     | 917166B                | 2        |
|                                    | 8          | H3HK008H-01B     | 917167B                | 2        |
|                                    | 10         | H3HK010H-01B     | 917168B                | 2        |
|                                    | 15         | H3HK015H-01B     | 917169B                | 2        |
|                                    | 15         | H3HK015H-21B     | 917172B                | None     |
|                                    | 20         | H3HK020H-01B     | 917170B                | 3        |
|                                    | 20         | H3HK020H-21B     | 917173B                | 1        |

# HEAT PUMP COOLING EXPANDED RATINGS

T.C. Total Cooling Capacity  
 S.C. Sensible Cooling Capacity  
 K.W. Total Kilowatts

## Q7RE-024K

| O.D.T |        | 65°F   |      |      | 75°F |      |      | 85°F |      |      | 95°F |      |      | 105°F |      |      | 115°F |      |      |      |
|-------|--------|--------|------|------|------|------|------|------|------|------|------|------|------|-------|------|------|-------|------|------|------|
| CFM   | E.D.B. | E.W.B. | T.C. | S.C. | K.W. | T.C. | S.C. | K.W. | T.C. | S.C. | K.W. | T.C. | S.C. | K.W.  | T.C. | S.C. | K.W.  | T.C. | S.C. | K.W. |
| 700   | 80     | 62     | 25.8 | 21.0 | 1.19 | 24.3 | 20.4 | 1.33 | 22.5 | 19.5 | 1.49 | 20.4 | 18.6 | 1.66  | 17.9 | 17.4 | 1.85  | 15.1 | 15.1 | 2.06 |
|       | 80     | 67     | 27.2 | 17.4 | 1.26 | 25.8 | 16.7 | 1.40 | 23.9 | 15.9 | 1.55 | 21.8 | 14.9 | 1.73  | 19.3 | 13.8 | 1.92  | 16.5 | 12.5 | 2.12 |
|       | 80     | 72     | 29.9 | 14.4 | 1.19 | 28.4 | 13.7 | 1.33 | 26.6 | 12.9 | 1.48 | 24.4 | 11.9 | 1.66  | 22.0 | 10.8 | 1.85  | 19.1 | 9.4  | 2.05 |
|       | 75     | 62     | 25.2 | 17.6 | 1.20 | 23.8 | 17.0 | 1.34 | 21.9 | 16.2 | 1.50 | 19.8 | 15.2 | 1.67  | 17.3 | 14.0 | 1.86  | 14.5 | 12.7 | 2.07 |
| 800   | 80     | 62     | 26.6 | 22.2 | 1.18 | 25.1 | 21.6 | 1.32 | 23.3 | 20.8 | 1.48 | 21.1 | 19.8 | 1.65  | 18.6 | 18.6 | 1.84  | 15.8 | 15.8 | 2.05 |
|       | 80     | 67     | 28.0 | 18.6 | 1.25 | 26.5 | 18.0 | 1.39 | 24.7 | 17.2 | 1.55 | 22.5 | 16.2 | 1.72  | 20.1 | 15.0 | 1.91  | 17.2 | 13.7 | 2.12 |
|       | 80     | 72     | 30.7 | 15.6 | 1.18 | 29.2 | 14.9 | 1.32 | 27.4 | 14.1 | 1.48 | 25.2 | 13.1 | 1.65  | 22.7 | 12.0 | 1.84  | 19.9 | 10.6 | 2.05 |
|       | 75     | 62     | 26.0 | 18.8 | 1.19 | 24.5 | 18.2 | 1.33 | 22.7 | 17.4 | 1.49 | 20.5 | 16.4 | 1.66  | 18.1 | 15.2 | 1.85  | 15.2 | 13.9 | 2.06 |
| 900   | 80     | 62     | 27.3 | 23.4 | 1.28 | 25.9 | 22.8 | 1.42 | 24.0 | 22.0 | 1.58 | 21.9 | 21.0 | 1.76  | 19.4 | 19.4 | 1.94  | 16.6 | 16.6 | 2.15 |
|       | 80     | 67     | 28.8 | 19.8 | 1.35 | 27.3 | 19.2 | 1.49 | 25.5 | 18.4 | 1.65 | 23.3 | 17.4 | 1.82  | 20.8 | 16.2 | 2.01  | 18.0 | 14.9 | 2.22 |
|       | 80     | 72     | 31.4 | 16.8 | 1.28 | 29.9 | 16.1 | 1.42 | 28.1 | 15.3 | 1.58 | 26.0 | 14.3 | 1.75  | 23.5 | 13.2 | 1.94  | 20.7 | 11.9 | 2.15 |
|       | 75     | 62     | 26.8 | 20.1 | 1.29 | 25.3 | 19.4 | 1.43 | 23.5 | 18.6 | 1.59 | 21.3 | 17.6 | 1.77  | 18.8 | 16.5 | 1.96  | 16.0 | 15.1 | 2.16 |

## Q7RE-030K

| O.D.T |        | 65°F   |      |      | 75°F |      |      | 85°F |      |      | 95°F |      |      | 105°F |      |       | 115°F |      |      |      |
|-------|--------|--------|------|------|------|------|------|------|------|------|------|------|------|-------|------|-------|-------|------|------|------|
| CFM   | E.D.B. | E.W.B. | T.C. | S.C. | K.W. | T.C. | S.C. | K.W. | T.C. | S.C. | K.W. | T.C. | S.C. | K.W.  | T.C. | S.C.  | K.W.  | T.C. | S.C. | K.W. |
| 950   | 80     | 62     | 29.9 | 24.1 | 1.62 | 29.0 | 24.0 | 1.81 | 27.3 | 23.6 | 2.01 | 25.0 | 22.9 | 2.24  | 21.9 | 21.9  | 2.49  | 18.1 | 18.1 | 2.76 |
|       | 80     | 67     | 33.4 | 20.9 | 1.64 | 32.5 | 20.8 | 1.83 | 30.9 | 20.4 | 2.03 | 28.5 | 19.7 | 2.26  | 25.5 | 18.7  | 2.51  | 21.7 | 17.4 | 2.78 |
|       | 80     | 72     | 32.9 | 18.8 | 1.66 | 32.0 | 18.7 | 1.84 | 30.3 | 18.3 | 2.05 | 28.0 | 17.6 | 2.28  | 24.9 | 16.6  | 2.52  | 21.1 | 15.3 | 2.79 |
|       | 75     | 62     | 28.9 | 22.9 | 1.61 | 28.0 | 22.8 | 1.79 | 26.4 | 22.4 | 2.00 | 24.0 | 21.7 | 2.22  | 21.0 | 20.7  | 2.47  | 17.2 | 17.2 | 2.74 |
| 1050  | 80     | 62     | 29.9 | 24.3 | 1.67 | 29.0 | 24.2 | 1.86 | 27.4 | 23.8 | 2.06 | 25.0 | 23.0 | 2.29  | 22.0 | 22.0* | 2.54  | 18.2 | 18.2 | 2.81 |
|       | 80     | 67     | 33.5 | 21.1 | 1.69 | 32.6 | 21.0 | 1.88 | 30.9 | 20.6 | 2.08 | 28.6 | 19.9 | 2.31  | 25.5 | 18.9  | 2.56  | 21.7 | 17.6 | 2.83 |
|       | 80     | 72     | 32.9 | 18.9 | 1.71 | 32.0 | 18.8 | 1.89 | 30.4 | 18.4 | 2.10 | 28.0 | 17.7 | 2.33  | 24.9 | 16.7  | 2.57  | 21.2 | 15.4 | 2.85 |
|       | 75     | 62     | 29.0 | 23.0 | 1.66 | 28.0 | 22.9 | 1.84 | 26.4 | 22.5 | 2.05 | 24.1 | 21.8 | 2.27  | 21.0 | 20.8  | 2.52  | 17.2 | 17.2 | 2.79 |
| 1150  | 80     | 62     | 31.0 | 24.4 | 1.72 | 30.0 | 24.3 | 1.90 | 28.4 | 23.9 | 2.11 | 26.1 | 23.2 | 2.34  | 23.0 | 22.2  | 2.59  | 19.2 | 19.2 | 2.86 |
|       | 80     | 67     | 34.5 | 21.2 | 1.74 | 33.6 | 21.1 | 1.92 | 32.0 | 20.7 | 2.13 | 29.6 | 20.0 | 2.36  | 26.6 | 19.0  | 2.60  | 22.8 | 17.7 | 2.87 |
|       | 80     | 72     | 33.9 | 19.1 | 1.75 | 33.0 | 19.0 | 1.94 | 31.4 | 18.6 | 2.14 | 29.1 | 17.9 | 2.37  | 26.0 | 16.9  | 2.62  | 22.2 | 15.6 | 2.89 |
|       | 75     | 62     | 30.0 | 23.2 | 1.70 | 29.1 | 23.1 | 1.89 | 27.5 | 22.7 | 2.09 | 25.1 | 22.0 | 2.32  | 22.0 | 21.0  | 2.57  | 18.2 | 18.2 | 2.84 |

## Q7RE-036K

| O.D.T |        | 65°F   |      |      | 75°F |      |      | 85°F |      |      | 95°F |      |      | 105°F |      |      | 115°F |      |      |      |
|-------|--------|--------|------|------|------|------|------|------|------|------|------|------|------|-------|------|------|-------|------|------|------|
| CFM   | E.D.B. | E.W.B. | T.C. | S.C. | K.W. | T.C. | S.C. | K.W. | T.C. | S.C. | K.W. | T.C. | S.C. | K.W.  | T.C. | S.C. | K.W.  | T.C. | S.C. | K.W. |
| 1175  | 80     | 62     | 36.5 | 29.6 | 2.06 | 35.2 | 29.3 | 2.28 | 33.3 | 28.7 | 2.54 | 30.8 | 27.8 | 2.85  | 27.8 | 26.6 | 3.21  | 24.3 | 24.3 | 3.61 |
|       | 80     | 67     | 39.9 | 25.7 | 2.10 | 38.6 | 25.4 | 2.32 | 36.7 | 24.8 | 2.58 | 34.3 | 23.9 | 2.89  | 31.3 | 22.7 | 3.24  | 27.7 | 21.2 | 3.65 |
|       | 80     | 72     | 41.7 | 20.1 | 2.15 | 40.4 | 19.8 | 2.37 | 38.5 | 19.2 | 2.63 | 36.1 | 18.3 | 2.94  | 33.1 | 17.1 | 3.29  | 29.5 | 15.5 | 3.69 |
|       | 75     | 62     | 35.9 | 25.3 | 2.06 | 34.5 | 25.0 | 2.27 | 32.7 | 24.4 | 2.54 | 30.2 | 23.5 | 2.85  | 27.2 | 22.3 | 3.20  | 23.6 | 20.7 | 3.60 |
| 1275  | 80     | 62     | 36.7 | 30.1 | 2.13 | 35.4 | 29.8 | 2.34 | 33.5 | 29.2 | 2.61 | 31.1 | 28.2 | 2.91  | 28.1 | 27.0 | 3.27  | 24.5 | 24.5 | 3.67 |
|       | 80     | 67     | 40.2 | 26.2 | 2.17 | 38.8 | 25.9 | 2.38 | 37.0 | 25.3 | 2.64 | 34.5 | 24.3 | 2.95  | 31.5 | 23.1 | 3.31  | 27.9 | 21.6 | 3.71 |
|       | 80     | 72     | 42.0 | 20.5 | 2.21 | 40.6 | 20.2 | 2.43 | 38.8 | 19.6 | 2.69 | 36.3 | 18.7 | 3.00  | 33.3 | 17.5 | 3.36  | 29.8 | 16.0 | 3.76 |
|       | 75     | 62     | 36.1 | 25.7 | 2.12 | 34.8 | 25.4 | 2.34 | 32.9 | 24.8 | 2.60 | 30.5 | 23.9 | 2.91  | 27.5 | 22.7 | 3.26  | 23.9 | 21.2 | 3.67 |
| 1375  | 80     | 62     | 37.2 | 30.5 | 2.21 | 35.9 | 30.2 | 2.42 | 34.0 | 29.6 | 2.68 | 31.6 | 28.7 | 2.99  | 28.6 | 27.4 | 3.35  | 25.0 | 25.0 | 3.75 |
|       | 80     | 67     | 40.6 | 26.6 | 2.25 | 39.3 | 26.3 | 2.46 | 37.4 | 25.7 | 2.72 | 35.0 | 24.8 | 3.03  | 32.0 | 23.5 | 3.39  | 28.4 | 22.0 | 3.79 |
|       | 80     | 72     | 42.4 | 20.9 | 2.29 | 41.1 | 20.6 | 2.51 | 39.2 | 20.0 | 2.77 | 36.8 | 19.1 | 3.08  | 33.8 | 17.9 | 3.44  | 30.2 | 16.4 | 3.84 |
|       | 75     | 62     | 36.6 | 26.1 | 2.20 | 35.3 | 25.8 | 2.42 | 33.4 | 25.2 | 2.68 | 30.9 | 24.3 | 2.99  | 27.9 | 23.1 | 3.34  | 24.4 | 21.6 | 3.75 |

## Q7RE-042K

| O.D.T |        | 65°F   |      |      | 75°F |      |      | 85°F |      |      | 95°F |      |       | 105°F |      |      | 115°F |      |      |      |
|-------|--------|--------|------|------|------|------|------|------|------|------|------|------|-------|-------|------|------|-------|------|------|------|
| CFM   | E.D.B. | E.W.B. | T.C. | S.C. | K.W. | T.C. | S.C. | K.W. | T.C. | S.C. | K.W. | T.C. | S.C.  | K.W.  | T.C. | S.C. | K.W.  | T.C. | S.C. | K.W. |
| 1350  | 80     | 62     | 47.9 | 39.5 | 2.45 | 43.8 | 38.0 | 2.79 | 39.7 | 36.5 | 3.12 | 35.6 | 34.9  | 3.46  | 31.5 | 31.5 | 3.79  | 27.5 | 27.5 | 4.12 |
|       | 80     | 67     | 54.8 | 30.5 | 2.41 | 50.7 | 29.0 | 2.74 | 46.6 | 27.4 | 3.07 | 42.5 | 25.9  | 3.41  | 38.4 | 24.4 | 3.74  | 34.4 | 22.8 | 4.07 |
|       | 80     | 72     | 54.9 | 27.8 | 2.42 | 50.8 | 26.2 | 2.75 | 46.7 | 24.7 | 3.09 | 42.7 | 23.2  | 3.42  | 38.6 | 21.6 | 3.75  | 34.5 | 20.1 | 4.09 |
|       | 75     | 62     | 45.8 | 35.7 | 2.40 | 41.7 | 34.1 | 2.74 | 37.6 | 32.6 | 3.07 | 33.6 | 31.1  | 3.41  | 29.5 | 29.5 | 3.74  | 25.4 | 25.4 | 4.07 |
| 1450  | 80     | 62     | 47.1 | 41.4 | 2.51 | 43.0 | 39.8 | 2.84 | 38.9 | 38.3 | 3.18 | 34.9 | 34.9  | 3.51  | 30.8 | 30.8 | 3.84  | 26.7 | 26.7 | 4.18 |
|       | 80     | 67     | 54.0 | 32.3 | 2.46 | 49.9 | 30.8 | 2.79 | 45.9 | 29.3 | 3.13 | 41.8 | 27.7  | 3.46  | 37.7 | 26.2 | 3.80  | 33.6 | 24.7 | 4.13 |
|       | 80     | 72     | 54.2 | 29.6 | 2.47 | 50.1 | 28.1 | 2.81 | 46.0 | 26.5 | 3.14 | 41.9 | 25.0  | 3.47  | 37.8 | 23.5 | 3.81  | 33.8 | 21.9 | 4.14 |
|       | 75     | 62     | 45.1 | 37.5 | 2.46 | 41.0 | 36.0 | 2.79 | 36.9 | 34.4 | 3.13 | 32.8 | 32.8  | 3.46  | 28.7 | 28.7 | 3.80  | 24.7 | 24.7 | 4.13 |
| 1550  | 80     | 62     | 47.2 | 43.2 | 2.59 | 43.1 | 41.6 | 2.92 | 39.0 | 39.0 | 3.25 | 34.9 | 34.9  | 3.59  | 30.9 | 30.9 | 3.92  | 26.8 | 26.8 | 4.25 |
|       | 80     | 67     | 54.1 | 34.1 | 2.54 | 50.0 | 32.6 | 2.87 | 45.9 | 31.1 | 3.20 | 41.8 | 29.5  | 3.54  | 37.8 | 28.0 | 3.87  | 33.7 | 26.5 | 4.20 |
|       | 80     | 72     | 54.2 | 31.4 | 2.55 | 50.1 | 29.9 | 2.88 | 46.1 | 28.3 | 3.22 | 42.0 | 26.8  | 3.55  | 37.9 | 25.3 | 3.88  | 33.8 | 23.7 | 4.22 |
|       | 75     | 62     | 45.1 | 39.3 | 2.54 | 41.0 | 37.8 | 2.87 | 37.0 | 36.2 | 3.20 | 32.9 | 32.9* | 3.54  | 28.8 | 28.8 | 3.87  | 24.7 | 24.7 | 4.20 |



# HEAT PUMP COOLING EXPANDED RATINGS (CONTINUED)

## Q7RE-048K

| O.D.T |        | 65°F   |      |      | 75°F |      |      | 85°F |      |      | 95°F |      |      | 105°F |      |      | 115°F |      |      |      |
|-------|--------|--------|------|------|------|------|------|------|------|------|------|------|------|-------|------|------|-------|------|------|------|
| CFM   | E.D.B. | E.W.B. | T.C. | S.C. | K.W. | T.C. | S.C. | K.W. | T.C. | S.C. | K.W. | T.C. | S.C. | K.W.  | T.C. | S.C. | K.W.  | T.C. | S.C. | K.W. |
| 1400  | 80     | 62     | 49.1 | 42.2 | 2.69 | 47.7 | 40.8 | 3.09 | 46.2 | 39.4 | 3.48 | 44.8 | 37.9 | 3.88  | 43.4 | 36.5 | 4.27  | 41.9 | 35.0 | 4.67 |
|       | 80     | 67     | 53.0 | 35.1 | 2.84 | 51.6 | 33.6 | 3.23 | 50.1 | 32.2 | 3.63 | 48.7 | 30.7 | 4.02  | 47.3 | 29.3 | 4.42  | 45.8 | 27.9 | 4.81 |
|       | 80     | 72     | 57.4 | 28.4 | 2.76 | 56.0 | 26.9 | 3.16 | 54.5 | 25.5 | 3.55 | 53.1 | 24.1 | 3.95  | 51.6 | 22.6 | 4.34  | 50.2 | 21.2 | 4.74 |
|       | 75     | 62     | 46.5 | 37.8 | 2.67 | 45.1 | 36.3 | 3.07 | 43.7 | 34.9 | 3.46 | 42.2 | 33.5 | 3.86  | 40.8 | 32.0 | 4.25  | 39.4 | 30.6 | 4.64 |
| 1500  | 80     | 62     | 48.8 | 43.4 | 2.75 | 47.4 | 41.9 | 3.15 | 46.0 | 40.5 | 3.54 | 44.5 | 39.0 | 3.94  | 43.1 | 37.6 | 4.33  | 41.7 | 36.2 | 4.73 |
|       | 80     | 67     | 52.7 | 36.2 | 2.90 | 51.3 | 34.7 | 3.29 | 49.9 | 33.3 | 3.69 | 48.4 | 31.9 | 4.08  | 47.0 | 30.4 | 4.48  | 45.6 | 29.0 | 4.87 |
|       | 80     | 72     | 57.1 | 29.5 | 2.82 | 55.7 | 28.1 | 3.22 | 54.3 | 26.6 | 3.61 | 52.8 | 25.2 | 4.01  | 51.4 | 23.8 | 4.40  | 49.9 | 22.3 | 4.80 |
|       | 75     | 62     | 46.3 | 38.9 | 2.73 | 44.8 | 37.5 | 3.12 | 43.4 | 36.0 | 3.52 | 42.0 | 34.6 | 3.91  | 40.5 | 33.2 | 4.31  | 39.1 | 31.7 | 4.70 |
| 1600  | 80     | 62     | 49.1 | 45.0 | 2.82 | 47.7 | 43.6 | 3.21 | 46.2 | 42.1 | 3.61 | 44.8 | 40.7 | 4.00  | 43.3 | 39.3 | 4.40  | 41.9 | 37.8 | 4.79 |
|       | 80     | 67     | 53.0 | 37.8 | 2.96 | 51.5 | 36.4 | 3.36 | 50.1 | 35.0 | 3.75 | 48.7 | 33.5 | 4.15  | 47.2 | 32.1 | 4.54  | 45.8 | 30.7 | 4.94 |
|       | 80     | 72     | 57.4 | 31.2 | 2.89 | 55.9 | 29.7 | 3.28 | 54.5 | 28.3 | 3.68 | 53.1 | 26.8 | 4.07  | 51.6 | 25.4 | 4.47  | 50.2 | 24.0 | 4.86 |
|       | 75     | 62     | 46.5 | 40.6 | 2.80 | 45.1 | 39.1 | 3.19 | 43.6 | 37.7 | 3.59 | 42.2 | 36.2 | 3.98  | 40.8 | 34.8 | 4.37  | 39.3 | 33.4 | 4.77 |

## Q7RE-060K

| O.D.T |        | 65°F   |      |      | 75°F |      |      | 85°F |      |      | 95°F |      |      | 105°F |      |      | 115°F |      |      |      |
|-------|--------|--------|------|------|------|------|------|------|------|------|------|------|------|-------|------|------|-------|------|------|------|
| CFM   | E.D.B. | E.W.B. | T.C. | S.C. | K.W. | T.C. | S.C. | K.W. | T.C. | S.C. | K.W. | T.C. | S.C. | K.W.  | T.C. | S.C. | K.W.  | T.C. | S.C. | K.W. |
| 1530  | 80     | 62     | 57.9 | 51.2 | 3.13 | 54.0 | 48.6 | 3.52 | 50.2 | 46.1 | 3.92 | 46.3 | 43.5 | 4.31  | 42.5 | 41.0 | 4.71  | 38.6 | 38.4 | 5.10 |
|       | 80     | 67     | 69.8 | 44.9 | 3.22 | 64.9 | 42.6 | 3.63 | 60.0 | 40.3 | 4.03 | 55.1 | 38.1 | 4.43  | 50.2 | 35.8 | 4.83  | 45.3 | 33.6 | 5.24 |
|       | 80     | 72     | 79.9 | 35.7 | 3.26 | 73.9 | 33.8 | 3.67 | 67.9 | 31.8 | 4.08 | 62.0 | 29.8 | 4.49  | 56.0 | 27.9 | 4.90  | 50.1 | 25.9 | 5.31 |
|       | 75     | 62     | 63.9 | 43.3 | 3.09 | 58.4 | 40.8 | 3.49 | 53.0 | 38.4 | 3.90 | 47.5 | 36.0 | 4.30  | 42.1 | 33.5 | 4.70  | 36.6 | 31.1 | 5.10 |
| 1650  | 80     | 62     | 58.1 | 51.9 | 3.24 | 54.2 | 49.3 | 3.64 | 50.4 | 46.8 | 4.03 | 46.5 | 44.2 | 4.43  | 42.7 | 41.6 | 4.82  | 38.8 | 38.8 | 5.22 |
|       | 80     | 67     | 70.0 | 45.5 | 3.34 | 65.1 | 43.3 | 3.74 | 60.2 | 41.0 | 4.14 | 55.3 | 38.8 | 4.55  | 50.4 | 36.5 | 4.95  | 45.5 | 34.3 | 5.35 |
|       | 80     | 72     | 80.1 | 36.4 | 3.38 | 74.1 | 34.4 | 3.79 | 68.1 | 32.5 | 4.20 | 62.2 | 30.5 | 4.61  | 56.2 | 28.6 | 5.02  | 50.3 | 26.6 | 5.43 |
|       | 75     | 62     | 64.1 | 44.0 | 3.21 | 58.7 | 41.5 | 3.61 | 53.2 | 39.1 | 4.01 | 47.7 | 36.6 | 4.41  | 42.3 | 34.2 | 4.82  | 36.8 | 31.7 | 5.22 |
| 1770  | 80     | 62     | 58.3 | 52.6 | 3.37 | 54.5 | 50.0 | 3.76 | 50.6 | 47.5 | 4.16 | 46.8 | 44.9 | 4.55  | 42.9 | 42.4 | 4.95  | 39.1 | 39.1 | 5.34 |
|       | 80     | 67     | 70.2 | 46.3 | 3.46 | 65.3 | 44.0 | 3.87 | 60.4 | 41.8 | 4.27 | 55.5 | 39.5 | 4.67  | 50.6 | 37.2 | 5.07  | 45.7 | 35.0 | 5.48 |
|       | 80     | 72     | 80.3 | 37.1 | 3.50 | 74.3 | 35.2 | 3.91 | 68.4 | 33.2 | 4.32 | 62.4 | 31.3 | 4.73  | 56.4 | 29.3 | 5.14  | 50.5 | 27.3 | 5.55 |
|       | 75     | 62     | 64.3 | 44.7 | 3.33 | 58.9 | 42.2 | 3.73 | 53.4 | 39.8 | 4.13 | 48.0 | 37.4 | 4.54  | 42.5 | 34.9 | 4.94  | 37.0 | 32.5 | 5.34 |

# HEAT PUMP HEATING EXPANDED RATINGS

## Q7RE-024K

| CFM | Indoor T.<br>Deg.F | OUTDOOR TEMPERATURE (Deg. F) |      |      |      |      |      |      |      |      |      |      |      |      |      |      |      |      |      |      |      |      |
|-----|--------------------|------------------------------|------|------|------|------|------|------|------|------|------|------|------|------|------|------|------|------|------|------|------|------|
|     |                    | 10                           |      |      | 17   |      |      | 30   |      |      | 40   |      |      | 47   |      |      | 60   |      |      | 70   |      |      |
|     |                    | MBH                          | COP  | kW   | MBH  | COP  | kW   | MBH  | COP  | kW   | MBH  | COP  | kW   | MBH  | COP  | kW   | MBH  | COP  | kW   | MBH  | COP  | kW   |
| 700 | 60                 | 10.0                         | 2.38 | 1.23 | 12.6 | 2.82 | 1.31 | 17.3 | 3.50 | 1.45 | 21.1 | 3.96 | 1.56 | 23.7 | 4.24 | 1.64 | 28.6 | 4.71 | 1.78 | 32.4 | 5.00 | 1.90 |
|     | 70                 | 8.8                          | 1.86 | 1.38 | 11.3 | 2.28 | 1.45 | 16.1 | 2.95 | 1.60 | 19.8 | 3.39 | 1.71 | 22.5 | 3.68 | 1.79 | 27.3 | 4.15 | 1.93 | 31.1 | 4.47 | 2.04 |
|     | 80                 | 7.6                          | 1.46 | 1.52 | 10.1 | 1.85 | 1.60 | 14.9 | 2.51 | 1.74 | 18.6 | 2.95 | 1.85 | 21.2 | 3.22 | 1.93 | 26.1 | 3.70 | 2.07 | 29.9 | 4.02 | 2.18 |
| 800 | 60                 | 10.4                         | 2.40 | 1.27 | 13.0 | 2.82 | 1.35 | 17.8 | 3.50 | 1.49 | 21.5 | 3.94 | 1.60 | 24.1 | 4.20 | 1.68 | 29.0 | 4.67 | 1.82 | 32.8 | 4.98 | 1.93 |
|     | 70                 | 9.2                          | 1.91 | 1.41 | 11.7 | 2.30 | 1.49 | 16.5 | 2.97 | 1.63 | 20.2 | 3.40 | 1.74 | 22.9 | 3.69 | 1.82 | 27.8 | 4.14 | 1.97 | 31.6 | 4.45 | 2.08 |
|     | 80                 | 8.0                          | 1.50 | 1.56 | 10.5 | 1.89 | 1.63 | 15.3 | 2.52 | 1.78 | 19.0 | 2.95 | 1.89 | 21.6 | 3.21 | 1.97 | 26.5 | 3.68 | 2.11 | 30.3 | 4.00 | 2.22 |
| 900 | 60                 | 11.0                         | 2.44 | 1.32 | 13.6 | 2.85 | 1.40 | 18.4 | 3.50 | 1.54 | 22.1 | 3.93 | 1.65 | 24.7 | 4.18 | 1.73 | 29.6 | 4.61 | 1.88 | 33.4 | 4.92 | 1.99 |
|     | 70                 | 9.8                          | 1.95 | 1.47 | 12.4 | 2.36 | 1.54 | 17.1 | 2.97 | 1.69 | 20.9 | 3.40 | 1.80 | 23.5 | 3.66 | 1.88 | 28.4 | 4.12 | 2.02 | 32.2 | 4.43 | 2.13 |
|     | 80                 | 8.6                          | 1.56 | 1.61 | 11.1 | 1.92 | 1.69 | 15.9 | 2.55 | 1.83 | 19.6 | 2.96 | 1.94 | 22.3 | 3.24 | 2.02 | 27.2 | 3.69 | 2.16 | 30.9 | 3.97 | 2.28 |

## Q7RE-030K

| CFM  | Indoor T.<br>Deg.F | OUTDOOR TEMPERATURE (Deg. F) |      |      |      |      |      |      |      |      |      |      |      |      |      |      |      |      |      |      |      |      |
|------|--------------------|------------------------------|------|------|------|------|------|------|------|------|------|------|------|------|------|------|------|------|------|------|------|------|
|      |                    | 10                           |      |      | 17   |      |      | 30   |      |      | 40   |      |      | 47   |      |      | 60   |      |      | 70   |      |      |
|      |                    | MBH                          | COP  | kW   | MBH  | COP  | kW   | MBH  | COP  | kW   | MBH  | COP  | kW   | MBH  | COP  | kW   | MBH  | COP  | kW   | MBH  | COP  | kW   |
| 950  | 60                 | 13.8                         | 2.59 | 1.56 | 16.7 | 2.98 | 1.64 | 22.1 | 3.58 | 1.81 | 26.2 | 3.96 | 1.94 | 29.1 | 4.22 | 2.02 | 34.3 | 4.59 | 2.19 | 38.4 | 4.87 | 2.31 |
|      | 70                 | 12.5                         | 2.12 | 1.73 | 15.4 | 2.49 | 1.81 | 20.8 | 3.08 | 1.98 | 24.9 | 3.48 | 2.10 | 27.8 | 3.72 | 2.19 | 33.1 | 4.11 | 2.36 | 37.1 | 4.38 | 2.48 |
|      | 80                 | 11.2                         | 1.74 | 1.89 | 14.1 | 2.09 | 1.98 | 19.5 | 2.66 | 2.15 | 23.6 | 3.05 | 2.27 | 26.5 | 3.29 | 2.36 | 31.8 | 3.68 | 2.53 | 35.9 | 3.97 | 2.65 |
| 1050 | 60                 | 13.9                         | 2.55 | 1.60 | 16.8 | 2.91 | 1.69 | 22.2 | 3.52 | 1.85 | 26.3 | 3.89 | 1.98 | 29.2 | 4.13 | 2.07 | 34.5 | 4.53 | 2.23 | 38.5 | 4.78 | 2.36 |
|      | 70                 | 12.6                         | 2.09 | 1.77 | 15.5 | 2.44 | 1.86 | 20.9 | 3.03 | 2.02 | 25.0 | 3.41 | 2.15 | 27.9 | 3.65 | 2.24 | 33.2 | 4.05 | 2.40 | 37.2 | 4.31 | 2.53 |
|      | 80                 | 11.3                         | 1.71 | 1.94 | 14.3 | 2.06 | 2.03 | 19.6 | 2.62 | 2.19 | 23.7 | 2.99 | 2.32 | 26.6 | 3.23 | 2.41 | 31.9 | 3.64 | 2.57 | 36.0 | 3.91 | 2.70 |
| 1150 | 60                 | 14.0                         | 2.50 | 1.64 | 16.9 | 2.86 | 1.73 | 22.3 | 3.44 | 1.90 | 26.4 | 3.83 | 2.02 | 29.3 | 4.07 | 2.11 | 34.6 | 4.45 | 2.28 | 38.6 | 4.71 | 2.40 |
|      | 70                 | 12.7                         | 2.06 | 1.81 | 15.6 | 2.41 | 1.90 | 21.0 | 2.97 | 2.07 | 25.1 | 3.36 | 2.19 | 28.0 | 3.60 | 2.28 | 33.3 | 4.00 | 2.44 | 37.3 | 4.25 | 2.57 |
|      | 80                 | 11.5                         | 1.70 | 1.98 | 14.4 | 2.04 | 2.07 | 19.7 | 2.59 | 2.23 | 23.9 | 2.97 | 2.36 | 26.7 | 3.19 | 2.45 | 32.0 | 3.59 | 2.61 | 36.1 | 3.86 | 2.74 |

## Q7RE-036K

| CFM  | Indoor T.<br>Deg.F | OUTDOOR TEMPERATURE (Deg. F) |      |      |      |      |      |      |      |      |      |      |      |      |      |      |      |      |      |      |      |      |
|------|--------------------|------------------------------|------|------|------|------|------|------|------|------|------|------|------|------|------|------|------|------|------|------|------|------|
|      |                    | 10                           |      |      | 17   |      |      | 30   |      |      | 40   |      |      | 47   |      |      | 60   |      |      | 70   |      |      |
|      |                    | MBH                          | COP  | kW   | MBH  | COP  | kW   | MBH  | COP  | kW   | MBH  | COP  | kW   | MBH  | COP  | kW   | MBH  | COP  | kW   | MBH  | COP  | kW   |
| 1175 | 60                 | 16.9                         | 2.45 | 2.02 | 20.5 | 2.82 | 2.13 | 27.0 | 3.38 | 2.34 | 32.1 | 3.76 | 2.5  | 35.6 | 4.00 | 2.61 | 42.1 | 4.38 | 2.82 | 47.2 | 4.66 | 2.97 |
|      | 70                 | 15.7                         | 2.05 | 2.24 | 19.2 | 2.39 | 2.35 | 25.8 | 2.95 | 2.56 | 30.8 | 3.32 | 2.72 | 34.3 | 3.55 | 2.83 | 40.9 | 3.94 | 3.04 | 45.9 | 4.20 | 3.20 |
|      | 80                 | 14.4                         | 1.72 | 2.46 | 18.0 | 2.04 | 2.58 | 24.5 | 2.58 | 2.78 | 29.6 | 2.95 | 2.94 | 33.1 | 3.18 | 3.05 | 39.6 | 3.56 | 3.26 | 44.7 | 3.83 | 3.42 |
| 1275 | 60                 | 17.2                         | 2.48 | 2.03 | 20.7 | 2.83 | 2.14 | 27.3 | 3.40 | 2.35 | 32.3 | 3.77 | 2.51 | 35.8 | 4.00 | 2.62 | 42.4 | 4.41 | 2.82 | 47.4 | 4.66 | 2.98 |
|      | 70                 | 15.9                         | 2.07 | 2.25 | 19.5 | 2.42 | 2.36 | 26.0 | 2.97 | 2.57 | 31.0 | 3.33 | 2.73 | 34.6 | 3.57 | 2.84 | 41.1 | 3.95 | 3.05 | 46.2 | 4.23 | 3.20 |
|      | 80                 | 14.7                         | 1.74 | 2.47 | 18.2 | 2.07 | 2.58 | 24.8 | 2.61 | 2.79 | 29.8 | 2.96 | 2.95 | 33.3 | 3.19 | 3.06 | 39.9 | 3.58 | 3.27 | 44.9 | 3.84 | 3.43 |
| 1375 | 60                 | 17.4                         | 2.50 | 2.04 | 20.9 | 2.85 | 2.15 | 27.5 | 3.43 | 2.35 | 32.5 | 3.79 | 2.51 | 36.1 | 4.04 | 2.62 | 42.6 | 4.41 | 2.83 | 47.6 | 4.67 | 2.99 |
|      | 70                 | 16.2                         | 2.10 | 2.26 | 19.7 | 2.44 | 2.37 | 26.2 | 2.98 | 2.58 | 31.3 | 3.36 | 2.73 | 34.8 | 3.58 | 2.85 | 41.4 | 3.98 | 3.05 | 46.4 | 4.24 | 3.21 |
|      | 80                 | 14.9                         | 1.76 | 2.48 | 18.4 | 2.08 | 2.59 | 25.0 | 2.62 | 2.8  | 30.0 | 2.97 | 2.96 | 33.6 | 3.21 | 3.07 | 40.1 | 3.59 | 3.27 | 45.1 | 3.85 | 3.43 |

## Q7RE-042K

| CFM  | Indoor T.<br>Deg.F | OUTDOOR TEMPERATURE (Deg. F) |      |      |      |      |      |      |      |      |      |      |      |      |      |      |      |      |      |      |      |      |
|------|--------------------|------------------------------|------|------|------|------|------|------|------|------|------|------|------|------|------|------|------|------|------|------|------|------|
|      |                    | 10                           |      |      | 17   |      |      | 30   |      |      | 40   |      |      | 47   |      |      | 60   |      |      | 70   |      |      |
|      |                    | MBH                          | COP  | kW   | MBH  | COP  | kW   | MBH  | COP  | kW   | MBH  | COP  | kW   | MBH  | COP  | kW   | MBH  | COP  | kW   | MBH  | COP  | kW   |
| 1350 | 60                 | 18.4                         | 2.42 | 2.23 | 22.5 | 2.81 | 2.35 | 30.0 | 3.42 | 2.57 | 35.7 | 3.80 | 2.75 | 39.7 | 4.05 | 2.87 | 47.0 | 4.46 | 3.09 | 52.6 | 4.71 | 3.27 |
|      | 70                 | 16.8                         | 1.99 | 2.47 | 20.9 | 2.37 | 2.59 | 28.4 | 2.96 | 2.81 | 34.1 | 3.34 | 2.99 | 38.1 | 3.59 | 3.11 | 45.4 | 4.00 | 3.33 | 50.9 | 4.25 | 3.51 |
|      | 80                 | 15.2                         | 1.64 | 2.71 | 19.2 | 1.99 | 2.83 | 26.7 | 2.57 | 3.05 | 32.4 | 2.94 | 3.23 | 36.4 | 3.18 | 3.35 | 43.7 | 3.59 | 3.57 | 49.3 | 3.85 | 3.75 |
| 1450 | 60                 | 18.6                         | 2.40 | 2.27 | 22.7 | 2.78 | 2.39 | 30.2 | 3.38 | 2.62 | 35.9 | 3.77 | 2.79 | 39.9 | 4.02 | 2.91 | 47.2 | 4.41 | 3.14 | 52.7 | 4.67 | 3.31 |
|      | 70                 | 17.0                         | 1.99 | 2.51 | 21.1 | 2.35 | 2.63 | 28.6 | 2.93 | 2.86 | 34.3 | 3.32 | 3.03 | 38.2 | 3.55 | 3.15 | 45.5 | 3.95 | 3.38 | 51.1 | 4.22 | 3.55 |
|      | 80                 | 15.4                         | 1.64 | 2.75 | 19.4 | 1.98 | 2.87 | 26.9 | 2.54 | 3.10 | 32.6 | 2.92 | 3.27 | 36.6 | 3.16 | 3.39 | 43.9 | 3.55 | 3.62 | 49.5 | 3.83 | 3.79 |
| 1550 | 60                 | 18.8                         | 2.37 | 2.32 | 22.9 | 2.75 | 2.44 | 30.4 | 3.35 | 2.66 | 36.1 | 3.73 | 2.84 | 40.1 | 3.97 | 2.96 | 47.4 | 4.37 | 3.18 | 52.9 | 4.61 | 3.36 |
|      | 70                 | 17.2                         | 1.97 | 2.56 | 21.3 | 2.33 | 2.68 | 28.8 | 2.91 | 2.90 | 34.5 | 3.28 | 3.08 | 38.4 | 3.52 | 3.20 | 45.7 | 3.92 | 3.42 | 51.3 | 4.18 | 3.60 |
|      | 80                 | 15.5                         | 1.62 | 2.80 | 19.6 | 1.97 | 2.92 | 27.1 | 2.53 | 3.14 | 32.8 | 2.90 | 3.32 | 36.8 | 3.14 | 3.44 | 44.1 | 3.53 | 3.66 | 49.7 | 3.79 | 3.84 |

# HEAT PUMP HEATING EXPANDED RATINGS (CONTINUED)

Q7RE-048K

| CFM  |    | Indoor T.<br>Deg.F |      | OUTDOOR TEMPERATURE (Deg. F) |      |      |      |      |      |      |      |      |      |      |      |      |      |      |      |      |      |      |     |    |
|------|----|--------------------|------|------------------------------|------|------|------|------|------|------|------|------|------|------|------|------|------|------|------|------|------|------|-----|----|
|      |    |                    |      | 10                           |      |      | 17   |      |      | 30   |      |      | 40   |      |      | 47   |      |      | 60   |      |      | 70   |     |    |
|      |    |                    |      | MBH                          | COP  | kW   | MBH  | COP  | kW   | MBH  | COP  | kW   | MBH  | COP  | kW   | MBH  | COP  | kW   | MBH  | COP  | kW   | MBH  | COP | kW |
| 1400 | 60 | 24.5               | 2.71 | 2.65                         | 29.5 | 3.01 | 2.87 | 38.8 | 3.48 | 3.27 | 46.1 | 3.77 | 3.58 | 51.2 | 3.96 | 3.79 | 60.8 | 4.25 | 4.19 | 68.2 | 4.44 | 4.50 |     |    |
|      | 70 | 21.9               | 2.14 | 3.00                         | 26.9 | 2.45 | 3.22 | 36.3 | 2.94 | 3.62 | 43.5 | 3.24 | 3.93 | 48.6 | 3.44 | 4.14 | 58.2 | 3.76 | 4.54 | 65.7 | 3.97 | 4.85 |     |    |
|      | 80 | 19.3               | 1.68 | 3.36                         | 24.3 | 1.99 | 3.57 | 33.7 | 2.49 | 3.97 | 40.9 | 2.80 | 4.28 | 46.1 | 3.01 | 4.49 | 55.6 | 3.33 | 4.89 | 63.1 | 3.56 | 5.20 |     |    |
| 1500 | 60 | 24.8               | 2.72 | 2.67                         | 29.8 | 3.02 | 2.89 | 39.1 | 3.49 | 3.28 | 46.4 | 3.79 | 3.59 | 51.5 | 3.96 | 3.81 | 61.1 | 4.25 | 4.21 | 68.5 | 4.45 | 4.51 |     |    |
|      | 70 | 22.2               | 2.15 | 3.02                         | 27.2 | 2.46 | 3.24 | 36.6 | 2.95 | 3.64 | 43.8 | 3.26 | 3.94 | 49.0 | 3.45 | 4.16 | 58.5 | 3.76 | 4.56 | 66.0 | 3.97 | 4.87 |     |    |
|      | 80 | 19.6               | 1.70 | 3.37                         | 24.6 | 2.01 | 3.59 | 34.0 | 2.50 | 3.99 | 41.3 | 2.81 | 4.30 | 46.4 | 3.02 | 4.51 | 56.0 | 3.34 | 4.91 | 63.4 | 3.56 | 5.22 |     |    |
| 1600 | 60 | 25.1               | 2.73 | 2.69                         | 30.1 | 3.04 | 2.90 | 39.5 | 3.51 | 3.30 | 46.7 | 3.79 | 3.61 | 51.9 | 3.98 | 3.82 | 61.4 | 4.26 | 4.22 | 68.9 | 4.46 | 4.53 |     |    |
|      | 70 | 22.5               | 2.17 | 3.04                         | 27.5 | 2.48 | 3.25 | 36.9 | 2.96 | 3.65 | 44.2 | 3.27 | 3.96 | 49.3 | 3.46 | 4.18 | 58.9 | 3.77 | 4.58 | 66.3 | 3.98 | 4.88 |     |    |
|      | 80 | 19.9               | 1.72 | 3.39                         | 24.9 | 2.02 | 3.61 | 34.3 | 2.51 | 4.00 | 41.6 | 2.83 | 4.31 | 46.7 | 3.02 | 4.53 | 56.3 | 3.35 | 4.93 | 63.7 | 3.57 | 5.23 |     |    |

Q7RE-060K

| CFM  |    | Indoor T.<br>Deg.F |      | OUTDOOR TEMPERATURE (Deg. F) |      |      |      |      |      |      |      |      |      |      |      |      |      |      |      |      |      |      |     |    |
|------|----|--------------------|------|------------------------------|------|------|------|------|------|------|------|------|------|------|------|------|------|------|------|------|------|------|-----|----|
|      |    |                    |      | 10                           |      |      | 17   |      |      | 30   |      |      | 40   |      |      | 47   |      |      | 60   |      |      | 70   |     |    |
|      |    |                    |      | MBH                          | COP  | kW   | MBH  | COP  | kW   | MBH  | COP  | kW   | MBH  | COP  | kW   | MBH  | COP  | kW   | MBH  | COP  | kW   | MBH  | COP | kW |
| 1530 | 60 | 26.3               | 2.67 | 3.03                         | 32.1 | 2.89 | 3.26 | 43.0 | 3.30 | 3.69 | 51.4 | 3.62 | 4.01 | 57.3 | 3.85 | 4.24 | 68.2 | 4.32 | 4.67 | 76.6 | 4.58 | 5.00 |     |    |
|      | 70 | 24.1               | 2.18 | 3.43                         | 30.0 | 2.40 | 3.66 | 40.9 | 2.82 | 4.09 | 49.3 | 3.13 | 4.41 | 55.1 | 3.36 | 4.64 | 66.0 | 3.77 | 5.07 | 74.4 | 4.09 | 5.91 |     |    |
|      | 80 | 21.9               | 1.69 | 3.83                         | 27.8 | 1.91 | 4.06 | 38.7 | 2.33 | 4.48 | 47.1 | 2.64 | 4.81 | 53.0 | 2.87 | 5.04 | 63.9 | 3.28 | 5.46 | 72.3 | 3.60 | 5.79 |     |    |
| 1650 | 60 | 26.6               | 2.76 | 3.00                         | 32.5 | 2.99 | 3.23 | 43.4 | 3.40 | 3.65 | 51.8 | 3.72 | 3.98 | 57.7 | 3.94 | 4.21 | 68.6 | 4.36 | 4.63 | 77.0 | 4.68 | 4.96 |     |    |
|      | 70 | 24.5               | 2.27 | 3.40                         | 30.3 | 2.50 | 3.63 | 41.2 | 2.91 | 4.05 | 49.6 | 3.23 | 4.38 | 55.5 | 3.45 | 4.61 | 66.4 | 3.87 | 5.03 | 74.8 | 4.19 | 5.36 |     |    |
|      | 80 | 22.3               | 1.78 | 3.80                         | 28.2 | 2.01 | 4.03 | 39.1 | 2.42 | 4.45 | 47.5 | 2.74 | 4.78 | 53.3 | 2.96 | 5.01 | 64.2 | 3.38 | 5.43 | 72.6 | 3.70 | 5.76 |     |    |
| 1770 | 60 | 27.0               | 2.86 | 2.97                         | 32.9 | 3.08 | 3.20 | 43.8 | 3.50 | 3.62 | 52.2 | 3.82 | 3.95 | 58.1 | 4.04 | 4.18 | 69.0 | 4.46 | 4.60 | 77.4 | 4.78 | 4.93 |     |    |
|      | 70 | 24.8               | 2.37 | 3.36                         | 30.7 | 2.59 | 3.59 | 41.6 | 3.01 | 4.02 | 50.0 | 3.33 | 4.35 | 55.9 | 3.55 | 4.57 | 66.8 | 3.97 | 5.00 | 75.2 | 4.29 | 5.33 |     |    |
|      | 80 | 22.7               | 1.88 | 3.76                         | 28.5 | 2.10 | 3.99 | 39.4 | 2.52 | 4.42 | 47.8 | 2.84 | 4.74 | 53.7 | 3.06 | 4.97 | 64.6 | 3.48 | 5.40 | 73.0 | 3.80 | 5.72 |     |    |



### GENERAL TERMS OF LIMITED WARRANTY

Nortek Global HVAC, LLC will furnish a replacement for any part of this product which fails in normal use and service within the terms and conditions of the warranty.

For complete details of the Limited Warranty, including applicable terms and conditions, see your local installer or contact the Nortek Global HVAC, LLC warranty department for a copy.

Before purchasing this appliance, read important energy cost and efficiency information available from your retailer. Specifications and illustrations subject to change without notice and without incurring obligations. Printed in U.S.A (10/2015)