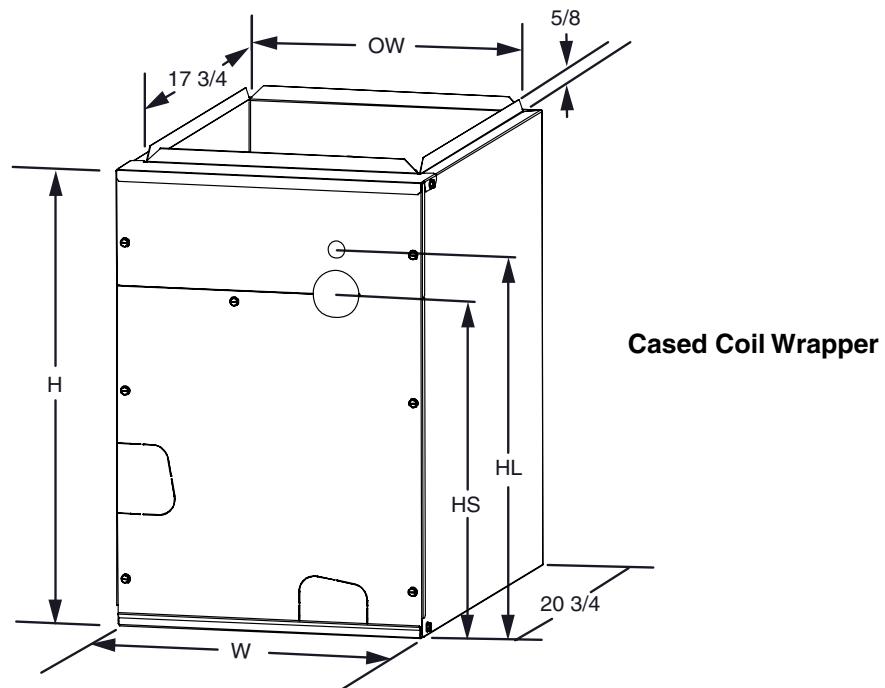
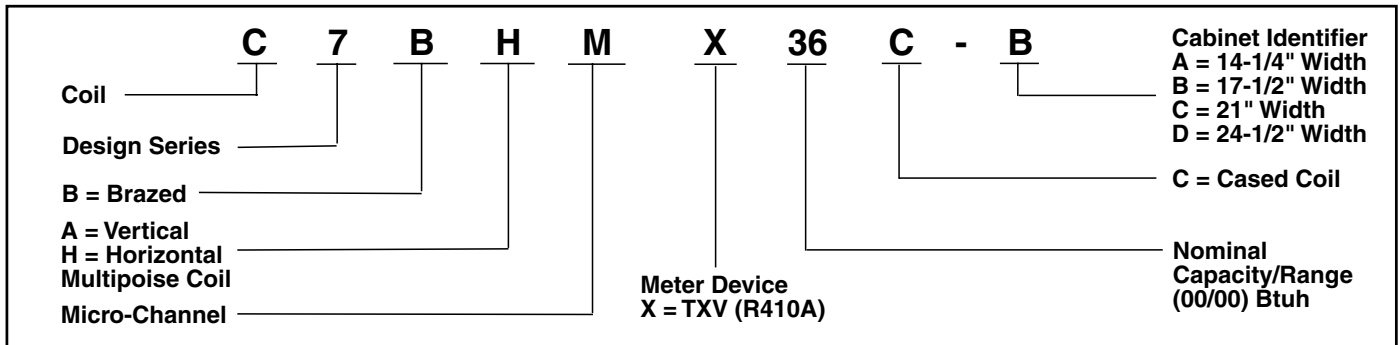


TECHNICAL SPECIFICATIONS



C7 Indoor Coils with TXV

MODEL IDENTIFICATION CODE



C7 CASED COIL WRAPPERS

| SKU | Cabinet Identifier | Overall Width | Overall Height | Liquid Line Height | Suction Line Height | Opening Width |
|--------|--------------------|---------------|----------------|--------------------|---------------------|---------------|
| | | W | H | HL | HS | OW |
| 920256 | A | 14 1/4" | 20 3/4" | 17 1/2" | 15 1/2" | 12 7/8" |
| 920257 | A | 14 1/4" | 26 3/4" | 23 1/2" | 21 1/2" | 12 7/8" |
| 920258 | B | 17 1/2" | 20 3/4" | 17 1/2" | 15 1/2" | 16 1/8" |
| 920259 | B | 17 1/2" | 26 3/4" | 23 1/2" | 21 1/2" | 16 1/8" |
| 920260 | C | 21" | 26 3/4" | 23 1/2" | 21 1/2" | 19 5/8" |
| 920261 | C | 21" | 30 1/4" | 27" | 25" | 19 5/8" |
| 920262 | D | 24 1/2" | 30 1/4" | 27" | 25" | 23 1/8" |

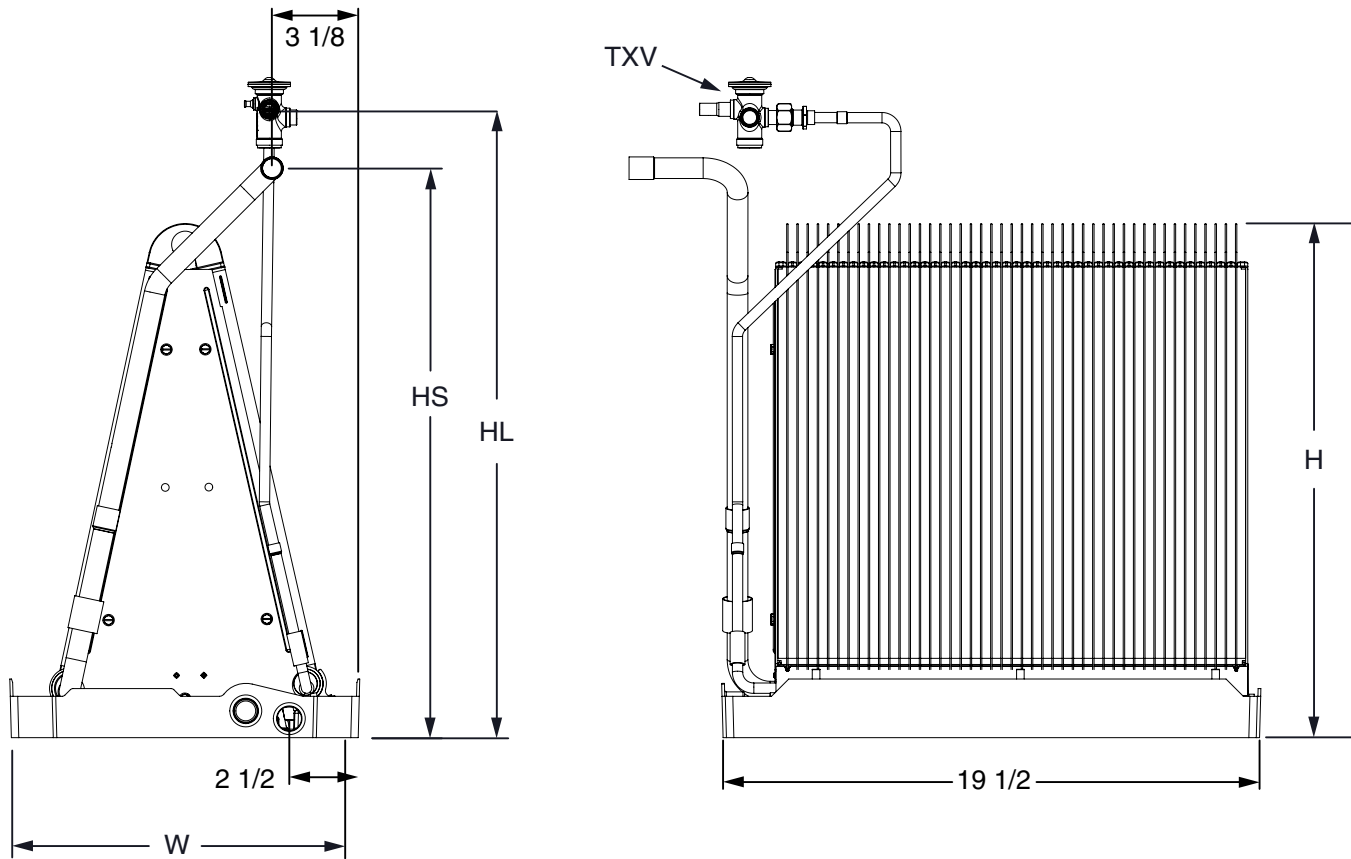


Figure 1. C7 Coil Dimensions (with TXV)

C7 Coil Specifications (TXV Only)

| | VERTICAL CASED COILS | | | | | | | | | | | | | | |
|----------------------------------|----------------------|--------|--------|------------|--------|--------|--------|------------|--------|--------|--------|------------|--------|--------|--------|
| | A-CABINETS | | | B-CABINETS | | | | C-CABINETS | | | | D-CABINETS | | | |
| | X24C-A | X30C-A | X36C-A | X24C-B | X30C-B | X36C-B | X42C-B | X30C-C | X36C-C | X42C-C | X48C-C | X60C-C | X42C-D | X48C-D | X60C-D |
| METERING DEVICE | TXV | TXV | TXV | TXV | TXV | TXV | TXV | TXV | TXV | TXV | TXV | TXV | TXV | TXV | TXV |
| NOMINAL AIRFLOW (CFM) | 800 | 1000 | 1200 | 800 | 1000 | 1200 | 1400 | 1000 | 1200 | 1400 | 1600 | 2000 | 1400 | 1600 | 2000 |
| W - WIDTH OF CABINET (IN) | 14.25 | 14.25 | 14.25 | 17.50 | 17.50 | 17.50 | 17.50 | 21.00 | 21.00 | 21.00 | 21.00 | 21.00 | 24.50 | 24.50 | 24.50 |
| H - HEIGHT OF COIL (IN) | 18.5 | 18.5 | 18.5 | 18 | 18 | 24.5 | 24.5 | 18 | 24.5 | 24.5 | 28.5 | 28.5 | 23.75 | 27.75 | 27.75 |
| HL - HEIGHT OF LIQUID LINE (IN) | 17.5 | 17.5 | 17.5 | 17.5 | 17.5 | 23.5 | 23.5 | 23.5 | 23.5 | 23.5 | 27 | 27 | 27 | 27 | 27 |
| HS - HEIGHT OF SUCTION LINE (IN) | 15.5 | 15.5 | 15.5 | 15.5 | 15.5 | 21.5 | 21.5 | 21.5 | 21.5 | 21.5 | 25 | 25 | 25 | 25 | 25 |
| CONNECTION - LIQUID LINE (IN) | 3/8 | 3/8 | 3/8 | 3/8 | 3/8 | 3/8 | 3/8 | 3/8 | 3/8 | 3/8 | 3/8 | 3/8 | 3/8 | 3/8 | 3/8 |
| CONNECTION - SUCTION LINE (IN) | 3/4 | 3/4 | 3/4 | 3/4 | 3/4 | 7/8 | 7/8 | 3/4 | 7/8 | 7/8 | 7/8 | 7/8 | 7/8 | 7/8 | 7/8 |
| HORIZONTAL DRAIN PAN KIT | 920265 | 920265 | 920265 | 920265 | 920265 | 920266 | 920266 | 920266 | 920266 | 920266 | 920267 | 920267 | 920267 | 920267 | 920267 |
| PRESSURE DROP | 0.17 | 0.26 | 0.27 | 0.15 | 0.26 | 0.27 | 0.28 | 0.26 | 0.24 | 0.26 | 0.29 | 0.30 | 0.26 | 0.31 | 0.30 |

NOTES:

1. Refer to sales specification sheets for Listed/Certified combinations of equipment and required accessories.
2. X in the model description designates factory installed TXV for R-410a refrigerant.
3. Refer to the current AHRI Directory for certified ratings of split systems.

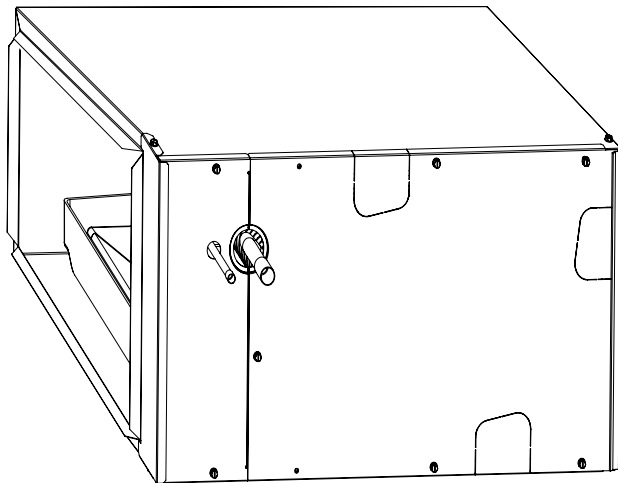
C7 Coil Specifications (Continued)

| | VERTICAL UNCASSED COILS | | | | | | | | | | | | | | |
|----------------------------------|-------------------------|--------|--------|------------|--------|--------|--------|------------|--------|--------|--------|------------|--------|--------|--------|
| | A-CABINETS | | | B-CABINETS | | | | C-CABINETS | | | | D-CABINETS | | | |
| | X24U-A | X30U-A | X36U-A | X24U-B | X30U-B | X36U-B | X42U-B | X30U-C | X36U-C | X42U-C | X48U-C | X60U-C | X42U-D | X48U-D | X60U-D |
| METERING DEVICE | TXV | TXV | TXV | TXV | TXV | TXV | TXV | TXV | TXV | TXV | TXV | TXV | TXV | TXV | TXV |
| NOMINAL AIRFLOW (CFM) | 800 | 1000 | 1200 | 800 | 1000 | 1200 | 1400 | 1000 | 1200 | 1400 | 1600 | 2000 | 1400 | 1600 | 2000 |
| W - WIDTH OF COIL (IN) | 12.75 | 12.75 | 12.75 | 16 | 16 | 16 | 16 | 19.5 | 19.5 | 19.5 | 19.5 | 19.5 | 23 | 23 | 23 |
| H - HEIGHT OF COIL (IN) | 18.5 | 18.5 | 18.5 | 18 | 18 | 24.5 | 24.5 | 18 | 24.5 | 24.5 | 28.5 | 28.5 | 23.75 | 27.75 | 27.75 |
| HL - HEIGHT OF LIQUID LINE (IN) | 17.5 | 17.5 | 17.5 | 17.5 | 17.5 | 23.5 | 23.5 | 23.5 | 23.5 | 23.5 | 27 | 27 | 27 | 27 | 27 |
| HS - HEIGHT OF SUCTION LINE (IN) | 15.5 | 15.5 | 15.5 | 15.5 | 15.5 | 21.5 | 21.5 | 21.5 | 21.5 | 21.5 | 25 | 25 | 25 | 25 | 25 |
| CONNECTION - LIQUID LINE (IN) | 3/8 | 3/8 | 3/8 | 3/8 | 3/8 | 3/8 | 3/8 | 3/8 | 3/8 | 3/8 | 3/8 | 3/8 | 3/8 | 3/8 | 3/8 |
| CONNECTION - SUCTION LINE (IN) | 3/4 | 3/4 | 3/4 | 3/4 | 3/4 | 7/8 | 7/8 | 3/4 | 7/8 | 7/8 | 7/8 | 7/8 | 7/8 | 7/8 | 7/8 |
| PRESSURE DROP | 0.17 | 0.26 | 0.27 | 0.15 | 0.26 | 0.27 | 0.28 | 0.26 | 0.24 | 0.26 | 0.29 | 0.30 | 0.26 | 0.31 | 0.30 |

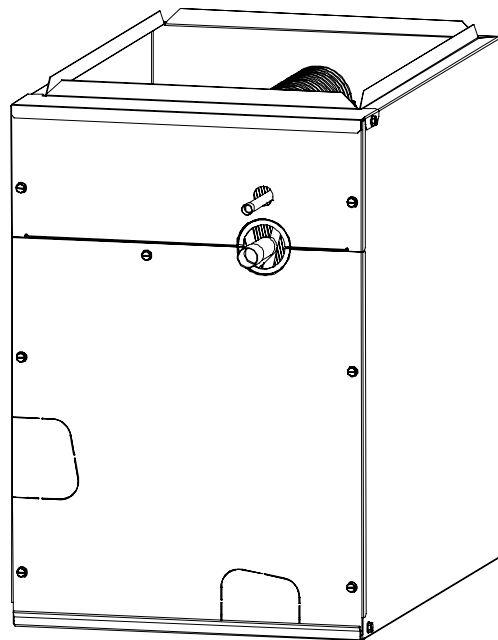
| | HORIZONTAL CASSED COILS | | | | | | | | | | | | | | |
|----------------------------------|-------------------------|--------|--------|------------|--------|--------|--------|------------|--------|--------|--------|------------|--------|--------|--------|
| | A-CABINETS | | | B-CABINETS | | | | C-CABINETS | | | | D-CABINETS | | | |
| | X24C-A | X30C-A | X36C-A | X24C-B | X30C-B | X36C-B | X42C-B | X30C-C | X36C-C | X42C-C | X48C-C | X60C-C | X42C-D | X48C-D | X60C-D |
| METERING DEVICE | TXV | TXV | TXV | TXV | TXV | TXV | TXV | TXV | TXV | TXV | TXV | TXV | TXV | TXV | TXV |
| NOMINAL AIRFLOW (CFM) | 800 | 1000 | 1200 | 800 | 1000 | 1200 | 1400 | 1000 | 1200 | 1400 | 1600 | 2000 | 1400 | 1600 | 2000 |
| W - WIDTH OF CABINET (IN) | 14.25 | 14.25 | 14.25 | 17.50 | 17.50 | 17.50 | 17.50 | 21.00 | 21.00 | 21.00 | 21.00 | 21.00 | 24.50 | 24.50 | 24.50 |
| H - HEIGHT OF COIL (IN) | 18.5 | 18.5 | 18.5 | 18 | 18 | 24.5 | 24.5 | 18 | 24.5 | 24.5 | 28.5 | 28.5 | 23.75 | 27.75 | 27.75 |
| HL - HEIGHT OF LIQUID LINE (IN) | 17.5 | 17.5 | 17.5 | 17.5 | 17.5 | 23.5 | 23.5 | 23.5 | 23.5 | 23.5 | 27 | 27 | 27 | 27 | 27 |
| HS - HEIGHT OF SUCTION LINE (IN) | 15.5 | 15.5 | 15.5 | 15.5 | 15.5 | 21.5 | 21.5 | 21.5 | 21.5 | 21.5 | 25 | 25 | 25 | 25 | 25 |
| CONNECTION - LIQUID LINE (IN) | 3/8 | 3/8 | 3/8 | 3/8 | 3/8 | 3/8 | 3/8 | 3/8 | 3/8 | 3/8 | 3/8 | 3/8 | 3/8 | 3/8 | 3/8 |
| CONNECTION - SUCTION LINE (IN) | 3/4 | 3/4 | 3/4 | 3/4 | 3/4 | 7/8 | 7/8 | 3/4 | 7/8 | 7/8 | 7/8 | 7/8 | 7/8 | 7/8 | 7/8 |
| PRESSURE DROP | 0.17 | 0.26 | 0.27 | 0.15 | 0.26 | 0.27 | 0.28 | 0.26 | 0.24 | 0.26 | 0.29 | 0.30 | 0.26 | 0.31 | 0.30 |

NOTES:

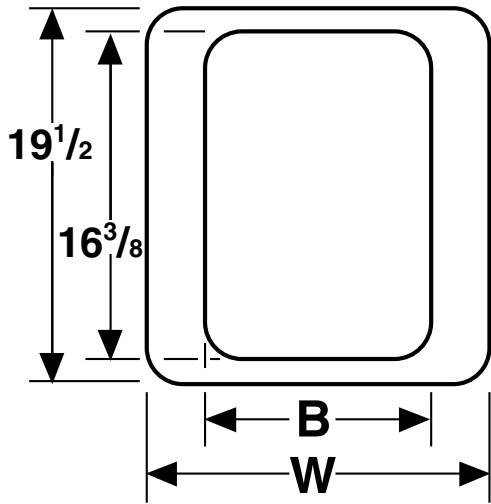
1. Refer to sales specification sheets for Listed/Certified combinations of equipment and required accessories.
2. X in the model description designates factory installed TXV for R-410a refrigerant.
3. Refer to the current AHRI Directory for certified ratings of split systems.



Cased Coil (Horizontal Left)



Cased Coil



DRAIN PAN DIMENSIONS

| Dimension | A Cabinet | B Cabinet | C Cabinet | D Cabinet |
|-----------|-----------|-----------|-----------|-----------|
| W | 12 3/4 | 16 | 19 1/2 | 23 |
| B | 6 5/8 | 9 7/8 | 12 3/8 | 16 7/8 |

Drain Pan—Bottom View

CASED COIL REPLACEMENT CABINET

| SKU | Model Number | Cabinet SKU |
|--------|--------------|-------------|
| 922244 | C7BHMx24C-A | 920257 |
| 922245 | C7BHMx24C-B | 920259 |
| 922246 | C7BHMx30C-A | 920257 |
| 922247 | C7BHMx30C-B | 920259 |
| 922248 | C7BHMx30C-C | 920260 |
| 922256 | C7BHMx36C-A | 920257 |
| 922249 | C7BHMx36C-B | 920259 |
| 922250 | C7BHMx36C-C | 920260 |
| 922251 | C7BHMx42C-C | 920260 |
| 922252 | C7BHMx48C-C | 920261 |
| 922253 | C7BHMx48C-D | 920262 |
| 922254 | C7BHMx60C-C | 920261 |
| 922255 | C7BHMx60C-D | 920262 |



Before purchasing this appliance, read important energy cost and efficiency information available from your retailer. Specifications and illustrations subject to change without notice and without incurring obligations. Printed in U.S.A (10/2015)